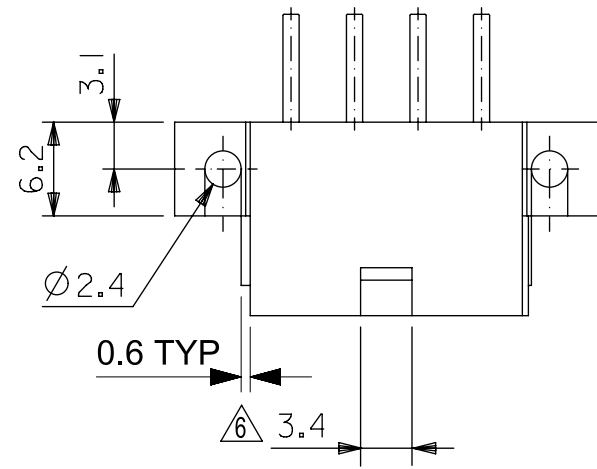
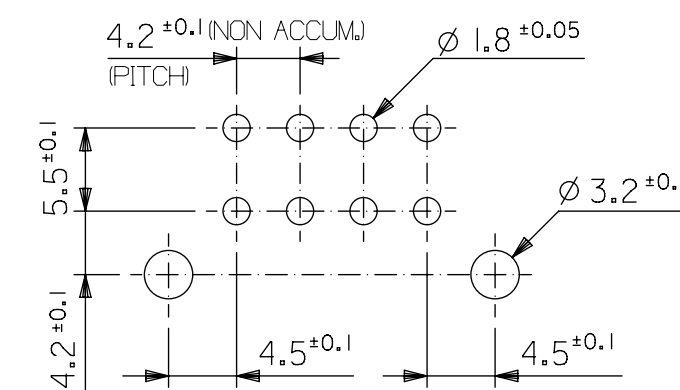
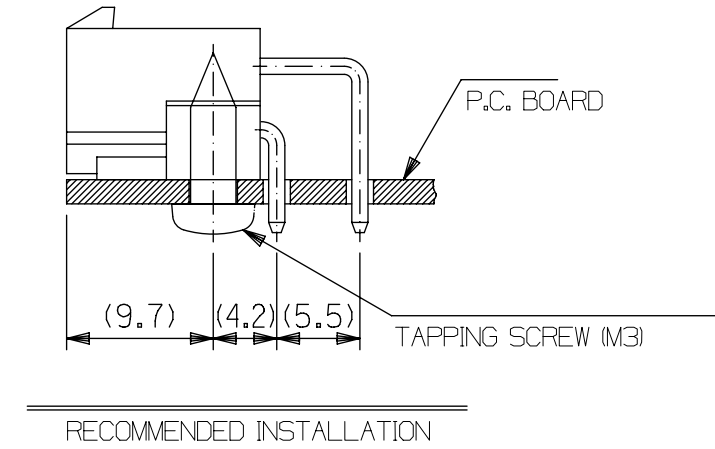
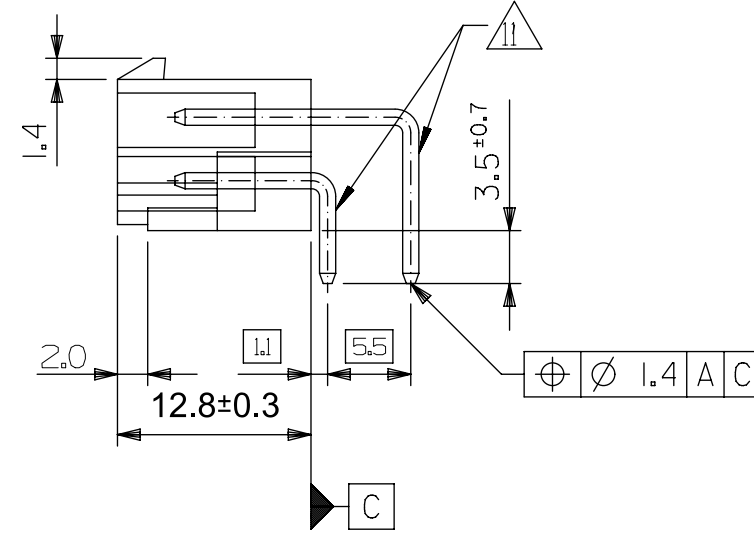
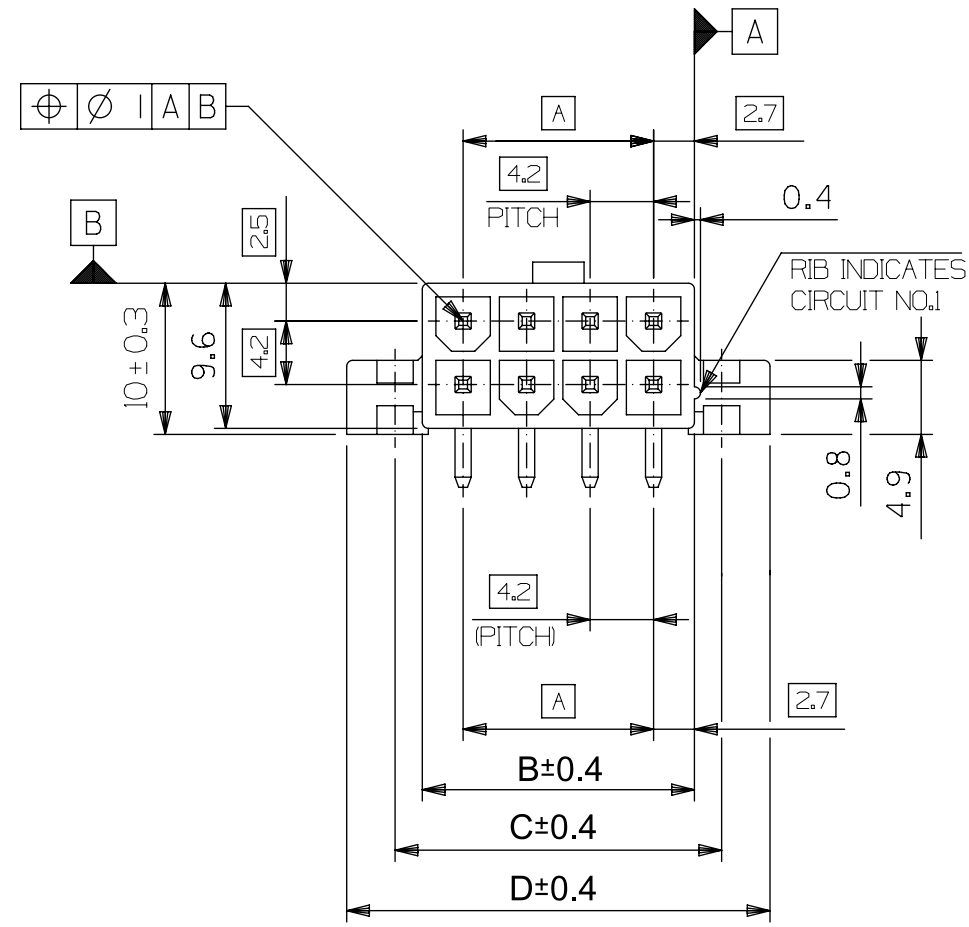


ENG. NO.	HEADER MATERIAL	FINISH OF PIN
5569-NA1	NYLON 66, UL94V-2, COLOR: NATURAL	MATTE TIN 2.54µm MIN. OVER NICKEL 1.27µm MIN.
▲ -NA1-T	NYLON 66, UL94V-2, COLOR: NATURAL	
-NA1-210	NYLON 66, UL94V-0, COLOR: NATURAL	
-NA1-210-T	NYLON 66, UL94V-0, COLOR: NATURAL	
-NA1-400	NYLON 66, UL94V-0, COLOR: BLACK	
-NAG1	NYLON 66, UL94V-2, COLOR: NATURAL	GOLD 0.76µm MIN. AND TIN OVER 2.54µm MIN. OVER NICKEL 1.27µm MIN.
▲ -NA1G-T	NYLON 66, UL94V-2, COLOR: NATURAL	
-NAG1-210	NYLON 66, UL94V-0, COLOR: NATURAL	
-NA1G-210-T	NYLON 66, UL94V-0, COLOR: NATURAL	
-NA1G-400	NYLON 66, UL94V-0, COLOR: BLACK	GOLD 0.38µm MIN. AND TIN OVER 2.54µm MIN. OVER NICKEL 1.27µm MIN.
-NAIGS2	NYLON 66, UL94V-2, COLOR: NATURAL	
-NAIGS2-210	NYLON 66, UL94V-0, COLOR: NATURAL	
-NAIGS3	NYLON 66, UL94V-2, COLOR: NATURAL	GOLD 1.27µm MIN. AND TIN OVER 2.54µm MIN. OVER NICKEL 1.27µm MIN.
5569-NAIGS3-210	NYLON 66, UL94V-0, COLOR: NATURAL	

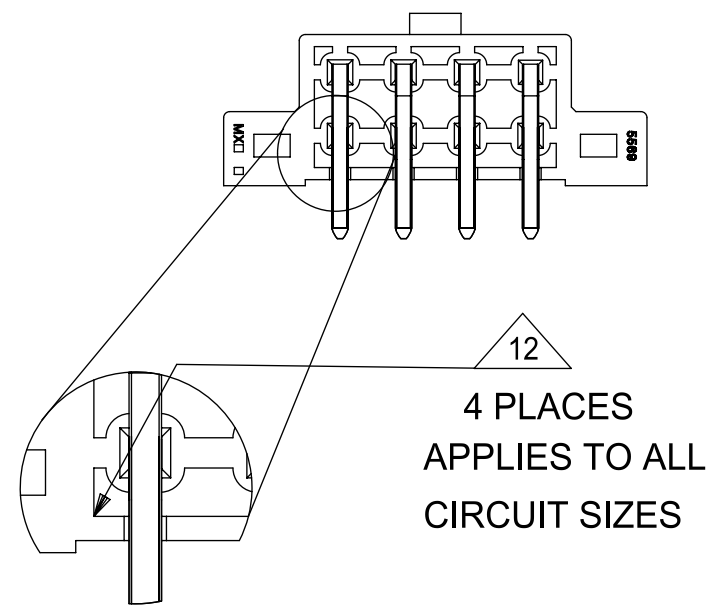


NOTES:

- MATERIAL:
HOUSING MATERIAL: SEE CHART
TERMINAL MATERIAL: BRASS ALLOY
- FINISH: SEE CHART
- PRODUCT SPECIFICATION: PS-5556-001
- PACKAGING SPECIFICATION: SEE CHART
BULK PACKED PER 55690001-PK OR PK-5569-002
TRAY PACKED PER PK-5569-004, 39295083 IS TRAY PACKED
- MATES WITH 5557 SERIES MINIFIT JR RECEPTACLE
- FOR THE 2 CIRCUITS HEADER, THIS DIMENSION IS 4.2 MM
- DISCOLORATION IN THE BANDOLIER CARRIER AREA OF THE PIN IS INHERENT TO THE PLATING PROCESS AND IS DUE TO THE MASKING EFFECT OF THE CARRIER. THIS DISCOLORATION IS IN A NON-FUNCTIONAL AREA OF THE PIN AND WILL NOT AFFECT THE PERFORMANCE OF THE HEADER ASSEMBLY.
- PARTS ARE NOT DESIGNED FOR CURRENT SHARING.
- CONNECTORS ARE NOT TO BE MATED OR UNMATED WHILE CIRCUITS ARE LIVE.
- CONFORMS TO CLASS "B" REQUIREMENTS OF COSMETIC SPECIFICATION PS-45499-002.
- FORMING MARKS ON PINS ARE ACCEPTABLE.
- CORNER CORE-OUTS ARE OPTIONAL AND MAY OR MAY NOT BE PRESENT.
- TEXT ON PART IS FOR REFERENCE ONLY. TEXT AND TEXT LOCATION MAY VARY DEPENDING ON PART NUMBER AND/OR TOOL.

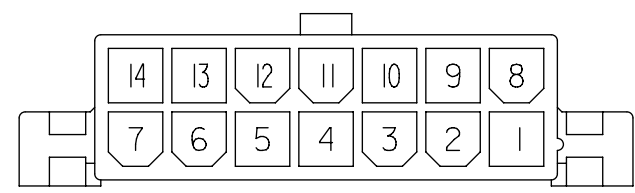


RECOMMENDED PCB HOLE LAYOUT
VIEWED FROM COMPONENT SIDE
1.78 MAX. THICK P.C. BOARD

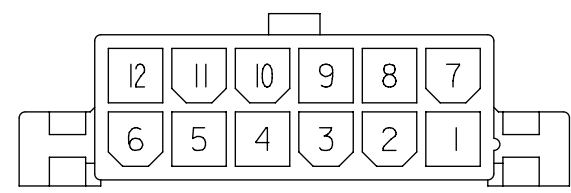


61.6	55.2	51.6	46.2	24
57.4	51	47.4	42	22
53.2	46.8	43.2	37.8	20
49	42.6	39	33.6	18
44.8	38.4	34.8	29.4	16
40.6	34.2	30.6	25.2	14
36.4	30	26.4	21	12
32.2	25.8	22.2	16.8	10
28	21.6	18	12.6	8
23.8	17.4	13.8	8.4	6
19.6	13.2	9.6	4.2	4
15.4	9	5.4	—	2
D	C	B	A	NO. OF CIRCUITS

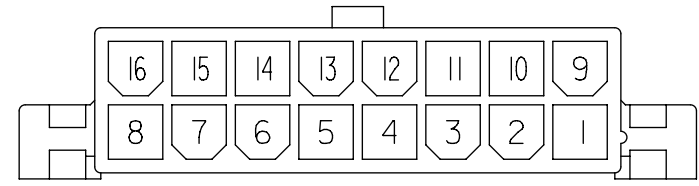
THIS DRAWING CONTAINS INFORMATION THAT IS PROPRIETARY TO MOLEX ELECTRONIC TECHNOLOGIES, LLC AND SHOULD NOT BE USED WITHOUT WRITTEN PERMISSION									
SYMBOLS		DIMENSION UNITS		SCALE		CURRENT REV DESC: MIGRATE TO ECTR			
▽ = 0	MM ONLY	2:1		EC NO: 172489 DRWN: ANESSER 2018/02/16 CHK'D: JBELL 2018/02/20 APPR: FSMITH 2018/02/22					
▽ = 0	GENERAL TOLERANCES (UNLESS SPECIFIED)								
▽ = 0	4 PLACES	±	±	INITIAL REVISION: DRWN: H. HIRAMOTO 1990/04/23 APPR: M. ENOMOTO 1991/07/04					
▽ = 0	3 PLACES	±	±						
▽ = 0	2 PLACES	±	0.2	PRODUCT CUSTOMER DRAWING					
▽ = 0	1 PLACE	±	0.38						
▽ = 0	0 PLACES	±	±	DOCUMENT NUMBER		DOC TYPE		DOC PART REVISION	
▽ = 0	ANGULAR TOL	±	3.0°	SD-5569-002		PSD		000 N1	
▽ = 0	DRAFT WHERE APPLICABLE MUST REMAIN WITHIN DIMENSIONS			THIRD ANGLE PROJECTION		DRAWING		SERIES	
▽ = 0				C-SIZE		5569		MATERIAL NUMBER CUSTOMER SHEET NUMBER	
				SEE CHART		GENERAL MARKET		1 OF 2	



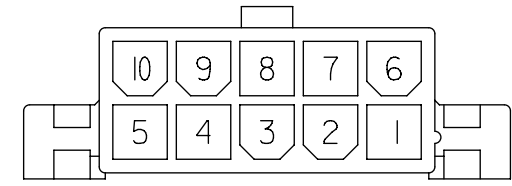
14 CKTS.



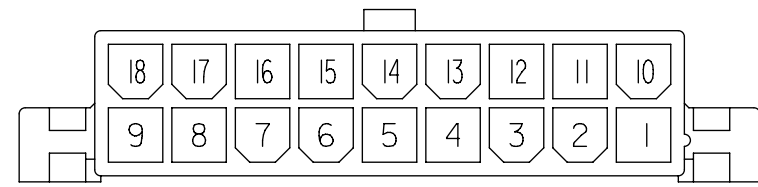
12 CKTS.



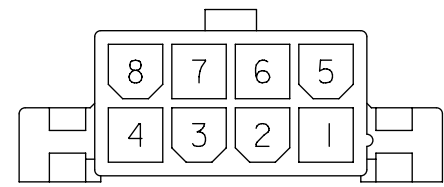
16 CKTS.



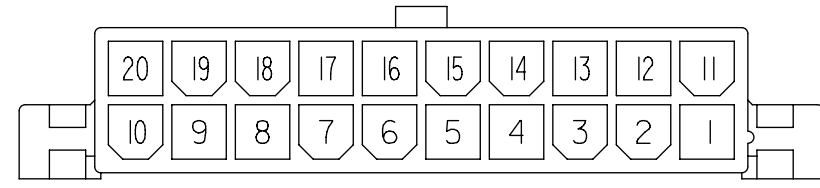
10 CKTS.



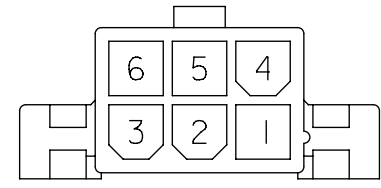
18 CKTS.



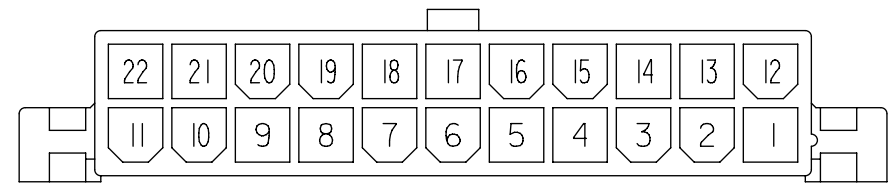
8 CKTS.



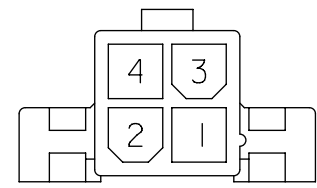
20 CKTS.



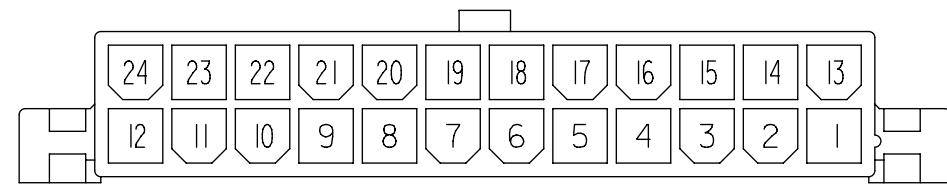
6 CKTS.



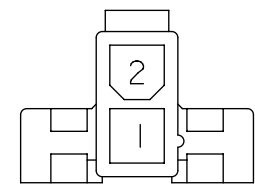
22 CKTS.



4 CKTS.



24 CKTS.



2 CKTS.

CIRCUIT SIZE LAYOUT
(SCALE 2:1)

Table with columns: TRAY PACKED and BULK PACKED. It lists various part numbers, engineering numbers, and circuit sizes (e.g., 46999-0859, 5569-24A1G-210-T, 46999-0835, 5569-24A1-210-T).

Technical specifications and company information block. Includes 'SYMBOLS' with dimension units, 'CURRENT REV DESC: MIGRATE TO ECTR', 'molex' logo, 'MINI FIT JR RIGHT ANGLE HEADER ASSY WITH FLANGES', and document details like 'SD-5569-002'.