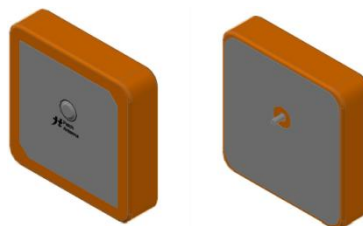
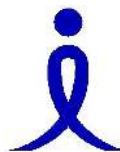


Product Specification



Patch Antenna JLT1575S25P6E

Feature

High gain , Compact

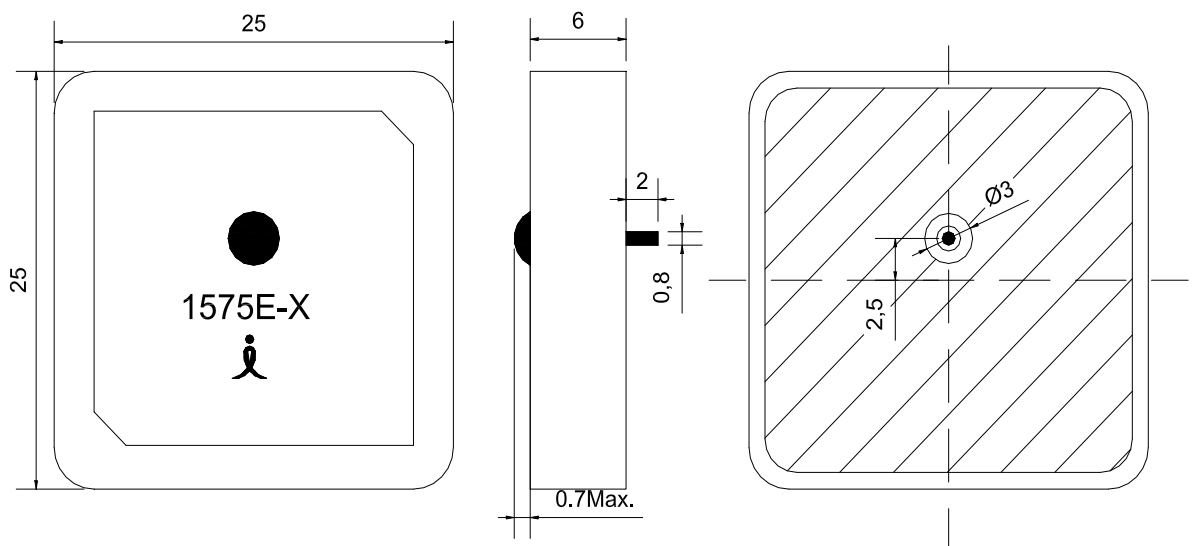
Pin type

Customization available

Electrical Specification

Center Frequency	1575.42± 3.0 MHz
Return Loss @ F0	≥15 dB
Bandwidth @ 10dB Return loss	≥20 MHz
Polarization	RHCP
Gain @ Zenith	3.5 dBi typ.
Ground plane	客户 P10039(V2.0)
Impedance	50 Ω
Frequency Temperature Coefficient	±20 ppm/°C
Operation Temperature Range	-40 ~ +85°C

Mechanical Dawring



Tolerance Unless Otherwise Specified: ± 0.30
Unit: mm

Test Fixture

JLT1589S25P6A 根据客户要求频率调到 1575

