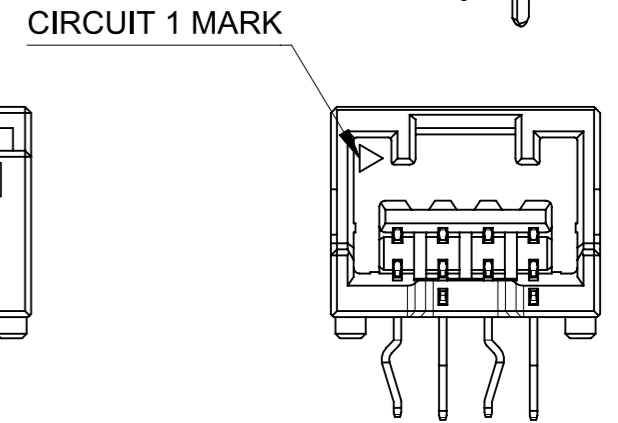
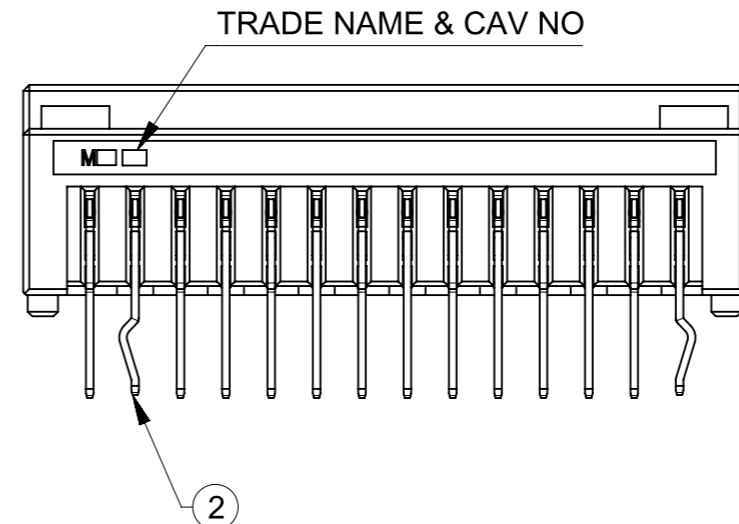
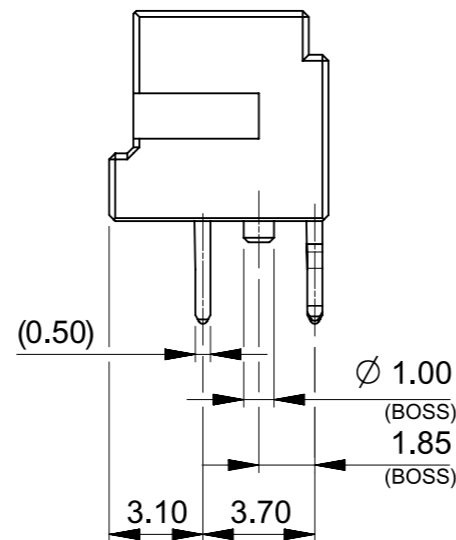
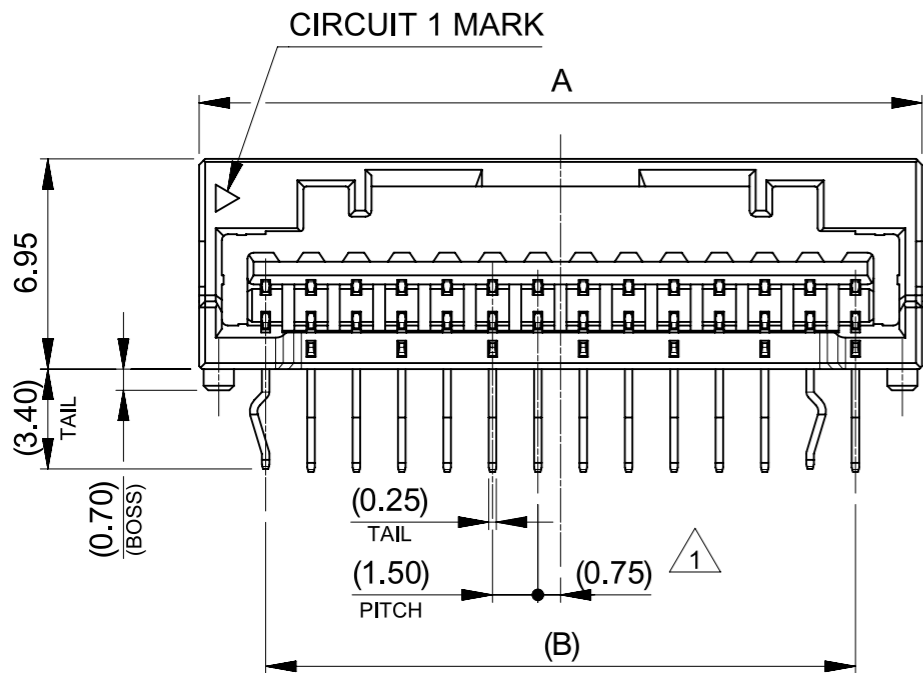
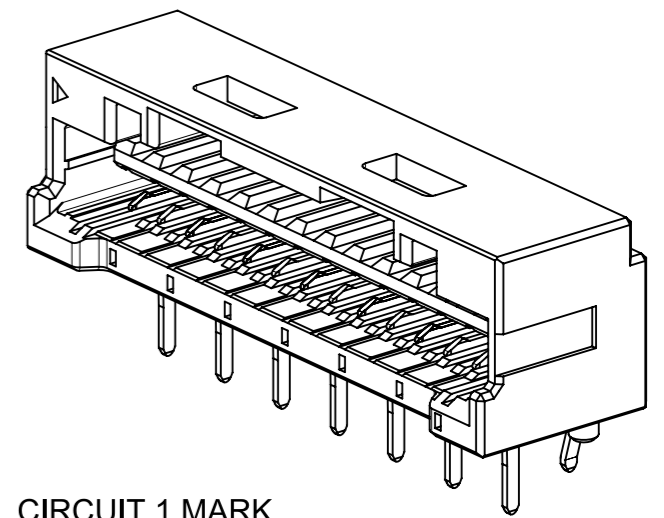


NOTES

- ① 極数/2 = 偶数に適応
APPLY FOR CIRCUIT SIZE / 2 =EVEN
- 2. 適用製品及び各種仕様書はSHEET 3を参照のこと
REFER TO SHEET 3 ABOUT APPLICABLE PRODUCTS
AND VARIOUS SPECIFICATIONS.

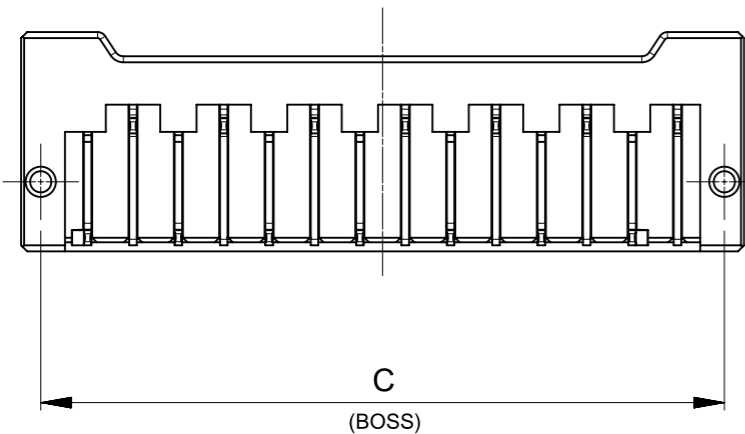


2~11極 CKT1マーク位置
MARK POSITION AT 2~11 CKTS

③ オーダー番号(製品番号) :
ORDER No(MATERIAL No) :
503175 ****

シリーズ番号 SERIES NO
極数 CIRCUIT SIZE
色 COLOR
ボス有無 WITH OR WITHOUT BOSS

| | | | | | |
|------|---------|------|------|---------|------------------|
| 24.1 | | 21 | 25.4 | | 15 |
| 22.6 | | 19.5 | 23.9 | | 14 |
| 21.1 | | 18 | 22.4 | | 13 |
| 19.6 | | 16.5 | 20.9 | | 12 |
| 18.1 | | 15 | 19.4 | | 11 |
| 16.6 | ±0.25 | 13.5 | 17.9 | ±0.25 | 10 |
| 15.1 | | 12 | 16.4 | | 9 |
| 13.6 | | 10.5 | 14.9 | | 8 |
| 12.1 | | 9 | 13.4 | | 7 |
| 10.6 | | 7.5 | 11.9 | | 6 |
| 9.1 | | 6 | 10.4 | | 5 |
| 7.6 | (±0.20) | 4.5 | 8.9 | | 4 |
| 6.1 | | 3 | 7.4 | (±0.20) | 3 |
| 4.6 | | 1.5 | 5.9 | | 2 |
| | C | B | A | | 極数 CIRCUIT NO |



| CIRCUIT | BOSS | COLOR |
|------------|-------------|--------------------------------|
| 02~15 | 0 WITH BOSS | 0 ナチュラル (ベージュ) NATURAL (BEIGE) |
| | | 1 黒 BLACK |
| | | 2 赤 RED |
| | | 3 黄 YELLOW |
| | 1 W/O BOSS | 4 青 BLUE |
| | | 5 桃 PINK |
| | | 6 緑 GREEN |
| | | 7 茶 BROWN |
| | | 8 橙 ORANGE |
| 9 紫 VIOLET | | |

THIS DRAWING CONTAINS INFORMATION THAT IS PROPRIETARY TO MOLEX ELECTRONIC TECHNOLOGIES, LLC AND SHOULD NOT BE USED WITHOUT WRITTEN PERMISSION

| | | |
|------------------------------------------------------|---------|-------------------|
| DIMENSION UNITS | SCALE | CURRENT REV DESC: |
| mm | NTS | |
| GENERAL TOLERANCES (UNLESS SPECIFIED) | | |
| ANGULAR TOL | ± 3.0 ° | |
| 4 PLACES | ± 0.2 | |
| 3 PLACES | ± 0.2 | |
| 2 PLACES | ± 0.2 | |
| 1 PLACE | ± 0.2 | |
| 0 PLACES | ± 0.2 | |
| DRAFT WHERE APPLICABLE MUST REMAIN WITHIN DIMENSIONS | | |
| THIRD ANGLE PROJECTION | | |
| DRAWING | SERIES | MATERIAL NUMBER |
| A3-SIZE | 503175 | 503175**** |
| CUSTOMER | | |
| GENERAL | | |
| SHEET NUMBER | | |
| 1 OF 4 | | |

EC NO: 632623
DRWN: MIKEDA01 2019/07/19
CHK'D: SAKIYAMA 2020/02/28
APPR: KOMURAKAMI 2020/03/03

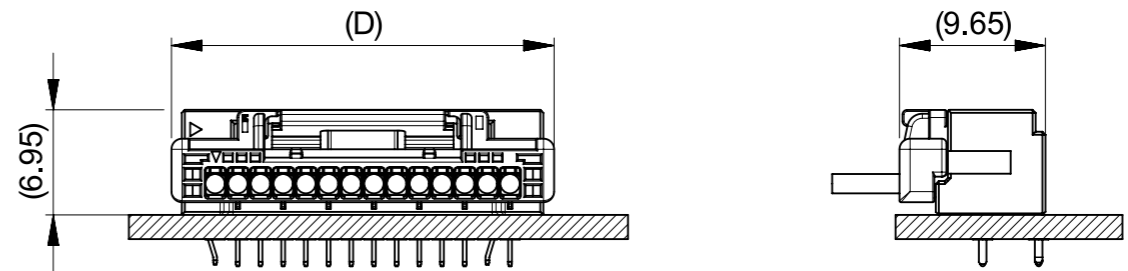
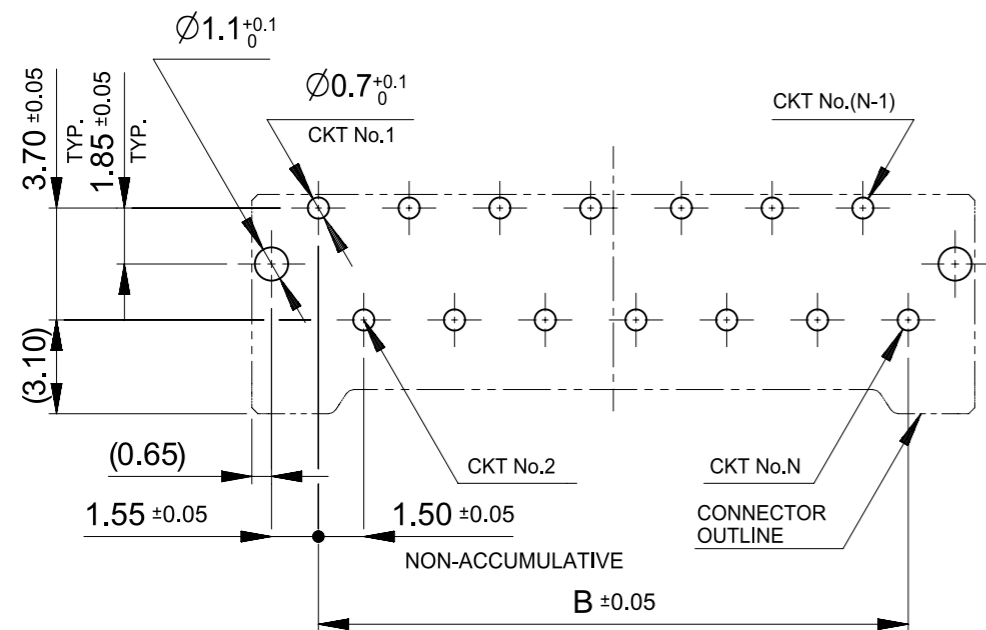
INITIAL REVISION:
DRWN: MIKEDA01 2019/07/19
APPR: KOMURAKAMI 2020/03/03

DOCUMENT NUMBER: 5031750000-SD
DOC TYPE: PSD
DOC PART: 000
REVISION: A

molex
CLIK-MATE 1.5 DIP R/A
SINGLE ROW DIP R/A TYPE
PRODUCT CUSTOMER DRAWING

| 番号 NO. | 部品 PART | 材質 MATERIAL |
|--------|----------------|----------------------------------------------------------------------------------------------------------------|
| ① | ハウジング HOUSING | ポリアミド(PA) UL94V-0 色 : SEE CHART POLYAMIDE(PA) UL94V-0 COLOR : SEE CHART |
| ② | ターミナル TERMINAL | 銅合金 COPPER ALLOY |
| | | 錫めっき : 1.0 micro-meter MIN MATTE TIN PLATING ニッケルめっき(下地) : 1.0 micro-meter MIN NICKEL (UNDER PLATING) |

DOCUMENT STATUS: P1 | RELEASE DATE: 2020/03/03 | 06:59:10



嵌合図
MATED CONNECTORS

基板取付穴推奨寸法(マウント面)
RECOMMENDED PCB HOLE DIMENSION
(MOUNTING SIDE) (t=1.6)

適用製品及び各種仕様書
APPLICABLE PRODUCTS AND VARIOUS SPECIFICATIONS

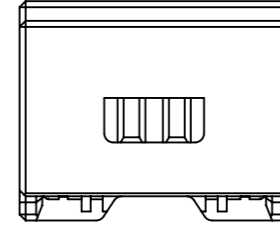
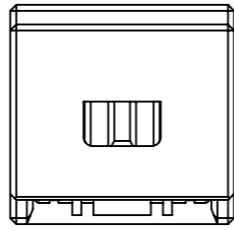
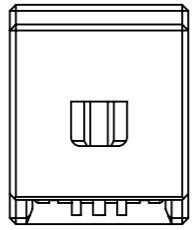
| | | |
|----------------------------------|----------------------------|-----------------|
| 梱包仕様書 PACKAGING SPECIFICATION | PART NUMBER | DOCUMENT NUMBER |
| | 503175 **0* 503175 **1* | SPK-503175-001 |

| | | | |
|------------------------------------------|---------------|----------|--------|
| 適用嵌合相手 MATE WITH | HOUSING | TERMINAL | |
| シリーズ番号 SERIES NUMBER | | #24-28 | #26-30 |
| 製品仕様書 PRODUCT SPECIFICATION | 502578 | 502579 | 503429 |
| アプリケーション仕様書 APPLICATION SPECIFICATION | 5025780002-PS | | |
| | AS-502578-001 | | |

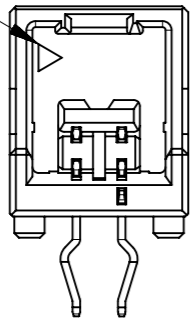
THIS DRAWING CONTAINS INFORMATION THAT IS PROPRIETARY TO MOLEX ELECTRONIC TECHNOLOGIES, LLC AND SHOULD NOT BE USED WITHOUT WRITTEN PERMISSION

| | | | | | | | |
|------------------------------------------------------|--------------|-----------------------------|--|--------------------------|--|--|--|
| DIMENSION UNITS mm | SCALE NTS | CURRENT REV DESC: | | molex | | | |
| GENERAL TOLERANCES (UNLESS SPECIFIED) | | EC NO: 632623 | | | | | |
| ANGULAR TOL | ± 3.0 ° | DRWN: MIKEDA01 2019/07/19 | | PRODUCT CUSTOMER DRAWING | | | |
| 4 PLACES | ± 0.2 | CHK'D: SAKIYAMA 2020/02/28 | | DOCUMENT NUMBER | | | |
| 3 PLACES | ± 0.2 | APPR: KOMURAKAMI 2020/03/03 | | 5031750000-SD | | | |
| 2 PLACES | ± 0.2 | INITIAL REVISION: | | DOC TYPE | | | |
| 1 PLACE | ± 0.2 | DRWN: MIKEDA01 2019/07/19 | | PSD | | | |
| 0 PLACES | ± 0.2 | APPR: KOMURAKAMI 2020/03/03 | | DOC PART | | | |
| DRAFT WHERE APPLICABLE MUST REMAIN WITHIN DIMENSIONS | | THIRD ANGLE PROJECTION | | REVISION | | | |
| | | DRAWING | | A | | | |
| | | SERIES | | SHEET NUMBER | | | |
| | | A3-SIZE | | 2 OF 4 | | | |
| | | 503175 | | | | | |
| | | MATERIAL NUMBER | | | | | |
| | | 503175**** | | | | | |
| | | CUSTOMER | | | | | |
| | | GENERAL | | | | | |

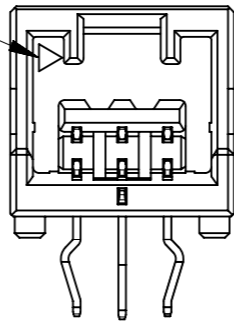
極数別ハウジング形状
HOUSING SHAPE AT EACH CKT



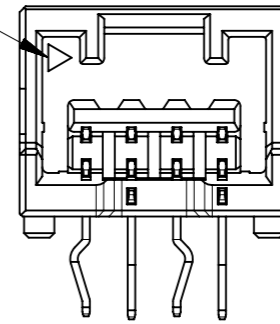
CIRCUIT 1 MARK



CIRCUIT 1 MARK



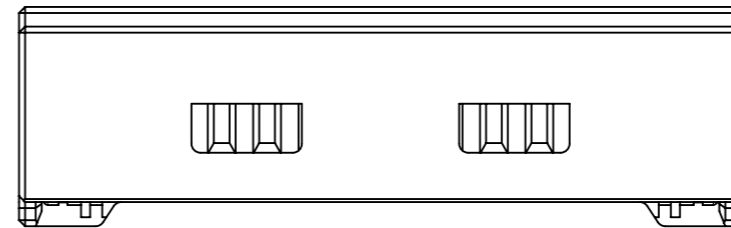
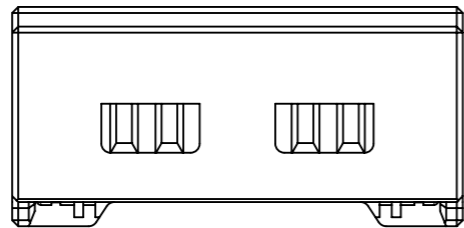
CIRCUIT 1 MARK



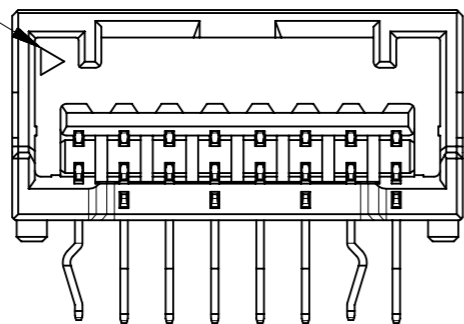
2極
2 CIRCUITS

3極
3 CIRCUITS

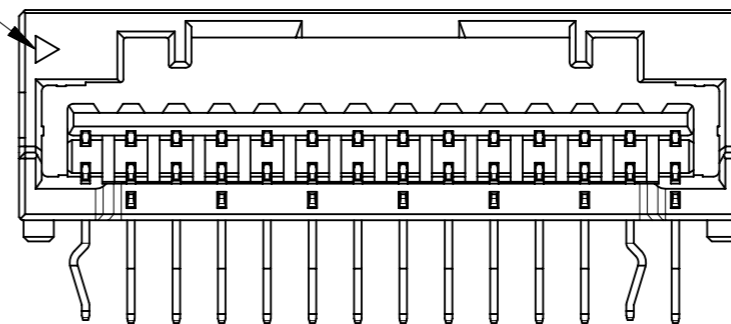
4~5極
4-5 CIRCUITS



CIRCUIT 1 MARK



CIRCUIT 1 MARK

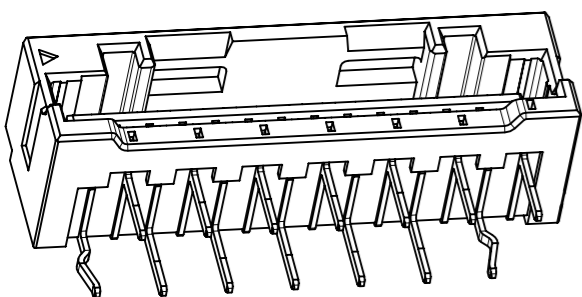
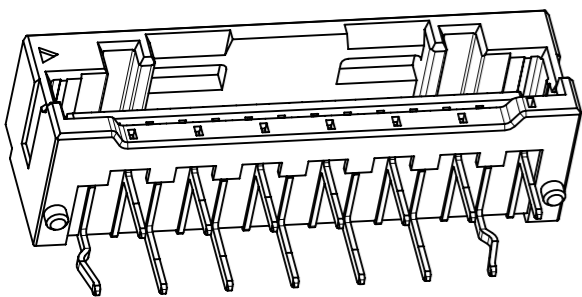


6~11極
6-11 CIRCUITS

12~15極
12-15 CIRCUITS

| | | | | | |
|-----------------------------------------------------------------------------------------------------------------------------------------------|---------|------------------------|------------|--------------------------------------------------|-----------------|
| THIS DRAWING CONTAINS INFORMATION THAT IS PROPRIETARY TO MOLEX ELECTRONIC TECHNOLOGIES, LLC AND SHOULD NOT BE USED WITHOUT WRITTEN PERMISSION | | CURRENT REV DESC: | | molex | |
| DIMENSION UNITS | SCALE | | | | |
| mm | NTS | | | CLIK-MATE 1.5 DIP R/A SINGLE ROW DIP R/A TYPE | |
| GENERAL TOLERANCES (UNLESS SPECIFIED) | | EC NO: 632623 | | PRODUCT CUSTOMER DRAWING | |
| ANGULAR TOL | ± 3.0 ° | DRWN: MIKEDA01 | 2019/07/19 | DOCUMENT NUMBER | |
| 4 PLACES | ± 0.2 | CHK'D: SAKIYAMA | 2020/02/28 | 5031750000-SD | DOC TYPE |
| 3 PLACES | ± 0.2 | APPR: KOMURAKAMI | 2020/03/03 | PSD | DOC PART |
| 2 PLACES | ± 0.2 | INITIAL REVISION: | | 000 | REVISION |
| 1 PLACE | ± 0.2 | DRWN: MIKEDA01 | 2019/07/19 | A | |
| 0 PLACES | ± 0.2 | APPR: KOMURAKAMI | 2020/03/03 | | |
| DRAFT WHERE APPLICABLE MUST REMAIN WITHIN DIMENSIONS | | THIRD ANGLE PROJECTION | DRAWING | SERIES | MATERIAL NUMBER |
| | | | A3-SIZE | 503175 | CUSTOMER |
| | | | | | GENERAL |
| | | | | | SHEET NUMBER |
| | | | | | 3 OF 4 |

製品一覧
PRODUCTS LIST



| ボス有 WITH BOSS | | | | | | | | | | BOSS |
|--------------------|-------------|-------------|-------------|-------------|-------------|-------------|-------------|-------------|-------------------------------|------------------|
| 紫 VIOLET | 橙 ORANGE | 茶 BROWN | 緑 GREEN | 桃 PINK | 青 BLUE | 黄 YELLOW | 赤 RED | 黒 BLACK | ナチュラル(ベージュ) NATURAL(BEIGE) | HOUSING COLOR |
| 503175 1509 | 503175 1508 | 503175 1507 | 503175 1506 | 503175 1505 | 503175 1504 | 503175 1503 | 503175 1502 | 503175 1501 | 503175 1500 | 15 |
| 503175 1409 | 503175 1408 | 503175 1407 | 503175 1406 | 503175 1405 | 503175 1404 | 503175 1403 | 503175 1402 | 503175 1401 | 503175 1400 | 14 |
| 503175 1309 | 503175 1308 | 503175 1307 | 503175 1306 | 503175 1305 | 503175 1304 | 503175 1303 | 503175 1302 | 503175 1301 | 503175 1300 | 13 |
| 503175 1209 | 503175 1208 | 503175 1207 | 503175 1206 | 503175 1205 | 503175 1204 | 503175 1203 | 503175 1202 | 503175 1201 | 503175 1200 | 12 |
| 503175 1109 | 503175 1108 | 503175 1107 | 503175 1106 | 503175 1105 | 503175 1104 | 503175 1103 | 503175 1102 | 503175 1101 | 503175 1100 | 11 |
| 503175 1009 | 503175 1008 | 503175 1007 | 503175 1006 | 503175 1005 | 503175 1004 | 503175 1003 | 503175 1002 | 503175 1001 | 503175 1000 | 10 |
| 503175 0909 | 503175 0908 | 503175 0907 | 503175 0906 | 503175 0905 | 503175 0904 | 503175 0903 | 503175 0902 | 503175 0901 | 503175 0900 | 9 |
| 503175 0809 | 503175 0808 | 503175 0807 | 503175 0806 | 503175 0805 | 503175 0804 | 503175 0803 | 503175 0802 | 503175 0801 | 503175 0800 | 8 |
| 503175 0709 | 503175 0708 | 503175 0707 | 503175 0706 | 503175 0705 | 503175 0704 | 503175 0703 | 503175 0702 | 503175 0701 | 503175 0700 | 7 |
| 503175 0609 | 503175 0608 | 503175 0607 | 503175 0606 | 503175 0605 | 503175 0604 | 503175 0603 | 503175 0602 | 503175 0601 | 503175 0600 | 6 |
| 503175 0509 | 503175 0508 | 503175 0507 | 503175 0506 | 503175 0505 | 503175 0504 | 503175 0503 | 503175 0502 | 503175 0501 | 503175 0500 | 5 |
| 503175 0409 | 503175 0408 | 503175 0407 | 503175 0406 | 503175 0405 | 503175 0404 | 503175 0403 | 503175 0402 | 503175 0401 | 503175 0400 | 4 |
| 503175 0309 | 503175 0308 | 503175 0307 | 503175 0306 | 503175 0305 | 503175 0304 | 503175 0303 | 503175 0302 | 503175 0301 | 503175 0300 | 3 |
| 503175 0209 | 503175 0208 | 503175 0207 | 503175 0206 | 503175 0205 | 503175 0204 | 503175 0203 | 503175 0202 | 503175 0201 | 503175 0200 | 2 |
| オーダー番号 ORDER NO | | | | | | | | | | 極数 CIRCUIT NO |

| ボス無 WITHOUT BOSS | | | | | | | | | | BOSS |
|--------------------|-------------|-------------|-------------|-------------|-------------|-------------|-------------|-------------|-------------------------------|------------------|
| 紫 VIOLET | 橙 ORANGE | 茶 BROWN | 緑 GREEN | 桃 PINK | 青 BLUE | 黄 YELLOW | 赤 RED | 黒 BLACK | ナチュラル(ベージュ) NATURAL(BEIGE) | HOUSING COLOR |
| 503175 1519 | 503175 1518 | 503175 1517 | 503175 1516 | 503175 1515 | 503175 1514 | 503175 1513 | 503175 1512 | 503175 1511 | 503175 1510 | 15 |
| 503175 1419 | 503175 1418 | 503175 1417 | 503175 1416 | 503175 1415 | 503175 1414 | 503175 1413 | 503175 1412 | 503175 1411 | 503175 1410 | 14 |
| 503175 1319 | 503175 1318 | 503175 1317 | 503175 1316 | 503175 1315 | 503175 1314 | 503175 1313 | 503175 1312 | 503175 1311 | 503175 1310 | 13 |
| 503175 1219 | 503175 1218 | 503175 1217 | 503175 1216 | 503175 1215 | 503175 1214 | 503175 1213 | 503175 1212 | 503175 1211 | 503175 1210 | 12 |
| 503175 1119 | 503175 1118 | 503175 1117 | 503175 1116 | 503175 1115 | 503175 1114 | 503175 1113 | 503175 1112 | 503175 1111 | 503175 1110 | 11 |
| 503175 1019 | 503175 1018 | 503175 1017 | 503175 1016 | 503175 1015 | 503175 1014 | 503175 1013 | 503175 1012 | 503175 1011 | 503175 1100 | 10 |
| 503175 1919 | 503175 0918 | 503175 0917 | 503175 0916 | 503175 0915 | 503175 0914 | 503175 0913 | 503175 0912 | 503175 0911 | 503175 0910 | 9 |
| 503175 0819 | 503175 1818 | 503175 0817 | 503175 0816 | 503175 0815 | 503175 0814 | 503175 0813 | 503175 0812 | 503175 0811 | 503175 0810 | 8 |
| 503175 0719 | 503175 0718 | 503175 1717 | 503175 0716 | 503175 0715 | 503175 0714 | 503175 0713 | 503175 0712 | 503175 0711 | 503175 0710 | 7 |
| 503175 0619 | 503175 0618 | 503175 0617 | 503175 1616 | 503175 0615 | 503175 0614 | 503175 0613 | 503175 0612 | 503175 0611 | 503175 0610 | 6 |
| 503175 0519 | 503175 0518 | 503175 0517 | 503175 0516 | 503175 1515 | 503175 0514 | 503175 0513 | 503175 0512 | 503175 0511 | 503175 0510 | 5 |
| 503175 0419 | 503175 0418 | 503175 0417 | 503175 0416 | 503175 0415 | 503175 1414 | 503175 0413 | 503175 0412 | 503175 0411 | 503175 0410 | 4 |
| 503175 0319 | 503175 0318 | 503175 0317 | 503175 0316 | 503175 0315 | 503175 0314 | 503175 1313 | 503175 0312 | 503175 0311 | 503175 0310 | 3 |
| 503175 0219 | 503175 0218 | 503175 0217 | 503175 0216 | 503175 0215 | 503175 0214 | 503175 0213 | 503175 1212 | 503175 0211 | 503175 0210 | 2 |
| オーダー番号 ORDER NO | | | | | | | | | | 極数 CIRCUIT NO |

THIS DRAWING CONTAINS INFORMATION THAT IS PROPRIETARY TO MOLEX ELECTRONIC TECHNOLOGIES, LLC AND SHOULD NOT BE USED WITHOUT WRITTEN PERMISSION

| | | | | | | |
|------------------------------------------------------------|--------------|-----------------------------|---------|--------------------------|-----------------|----------|
| DIMENSION UNITS mm | SCALE NTS | CURRENT REV DESC: | | molex | | |
| GENERAL TOLERANCES (UNLESS SPECIFIED) | | EC NO: 632623 | | | | |
| ANGULAR TOL | ± 3.0 ° | DRWN: MIKEDA01 2019/07/19 | | PRODUCT CUSTOMER DRAWING | | |
| 4 PLACES | ± 0.2 | CHK'D: SAKIYAMA 2020/02/28 | | DOCUMENT NUMBER | | |
| 3 PLACES | ± 0.2 | APPR: KOMURAKAMI 2020/03/03 | | 5031750000-SD | | |
| 2 PLACES | ± 0.2 | INITIAL REVISION: | | DOC TYPE | | |
| 1 PLACE | ± 0.2 | DRWN: MIKEDA01 2019/07/19 | | PSD | | |
| 0 PLACES | ± 0.2 | APPR: KOMURAKAMI 2020/03/03 | | DOC PART | | |
| DRAFT WHERE APPLICABLE MUST REMAIN WITHIN DIMENSIONS | | THIRD ANGLE PROJECTION | DRAWING | SERIES | MATERIAL NUMBER | CUSTOMER |
| | | | A3-SIZE | 503175 | 503175**** | GENERAL |
| | | | | SHEET NUMBER | | 4 OF 4 |