



# CY7C130/CY7C131 CY7C140/CY7C141

## 1K x 8 Dual-Port Static RAM

### Features

- True Dual-Ported memory cells which allow simultaneous reads of the same memory location
- 1K x 8 organization
- 0.65-micron CMOS for optimum speed/power
- High-speed access: 15 ns
- Low operating power:  $I_{CC} = 110$  mA (max.)
- Fully asynchronous operation
- Automatic power-down
- Master CY7C130/CY7C131 easily expands data bus width to 16 or more bits using slave CY7C140/CY7C141
- **BUSY** output flag on CY7C130/CY7C131; **BUSY** input on CY7C140/CY7C141
- **INT** flag for port-to-port communication
- Available in 48-pin DIP (CY7C130/140), 52-pin PLCC, 52-Pin TQFP.
- Pb-Free packages available

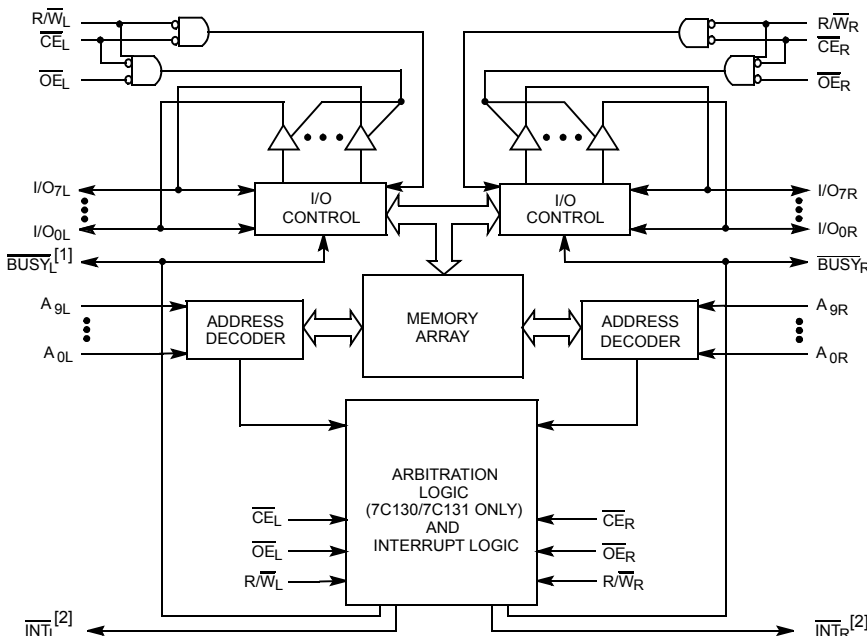
### Functional Description

The CY7C130/CY7C131/CY7C140 and CY7C141 are high-speed CMOS 1K by 8 dual-port static RAMs. Two ports are provided permitting independent access to any location in memory. The CY7C130/ CY7C131 can be utilized as either a standalone 8-bit dual-port static RAM or as a master dual-port RAM in conjunction with the CY7C140/CY7C141 slave dual-port device in systems requiring 16-bit or greater word widths. It is the solution to applications requiring shared or buffered data, such as cache memory for DSP, bit-slice, or multiprocessor designs.

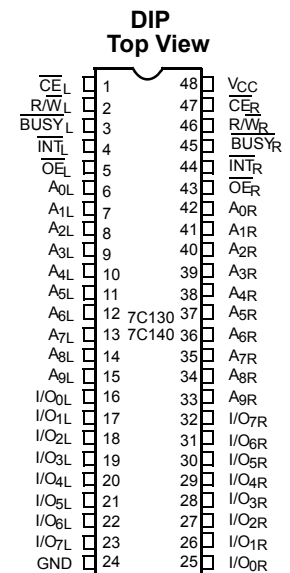
Each port has independent control pins: chip enable ( $\overline{CE}$ ), write enable ( $R/\overline{W}$ ), and output enable ( $\overline{OE}$ ). Two flags are provided on each port, **BUSY** and **INT**. **BUSY** signals that the port is trying to access the same location currently being accessed by the other port. **INT** is an interrupt flag indicating that data has been placed in a unique location (3FF for the left port and 3FE for the right port). An automatic power-down feature is controlled independently on each port by the chip enable ( $\overline{CE}$ ) pins.

The CY7C130 and CY7C140 are available in 48-pin DIP. The CY7C131 and CY7C141 are available in 52-pin PLCC, 52-pin Pb-free PLCC, 52-pin PQFP and 52-pin Pb-free PQFP.

### Logic Block Diagram



### Pin Configurations



**Note:**

1. CY7C130/CY7C131 (Master): **BUSY** is open drain output and requires pull-up resistor  
CY7C140/CY7C141 (Slave): **BUSY** is input.
2. Open drain outputs: pull-up resistor required.



**Maximum Ratings<sup>[4]</sup>**

(Above which the useful life may be impaired. For user guidelines, not tested.)

Storage Temperature .....	-65°C to +150°C
Ambient Temperature with Power Applied.....	-55°C to +125°C
Supply Voltage to Ground Potential (Pin 48 to Pin 24) .....	-0.5V to +7.0V
DC Voltage Applied to Outputs in High Z State .....	-0.5V to +7.0V
DC Input Voltage.....	-3.5V to +7.0V
Output Current into Outputs (LOW) .....	20 mA

Static Discharge Voltage..... >2001V  
(per MIL-STD-883, Method 3015)

Latch-Up Current..... >200 mA

**Operating Range**

Range	Ambient Temperature	V <sub>CC</sub>
Commercial	0°C to +70°C	5V ± 10%
Industrial	-40°C to +85°C	5V ± 10%
Military <sup>[5]</sup>	-55°C to +125°C	5V ± 10%

**Electrical Characteristics Over the Operating Range<sup>[6]</sup>**

Parameter	Description	Test Conditions	7C131-15 <sup>[3]</sup> 7C141-15		7C130-30 <sup>[3]</sup> 7C131-25,30 7C140-30 7C141-25,30		7C130-35,45 7C131-35,45 7C140-35,45 7C141-35,45		7C130-55 7C131-55 7C140-55 7C141-55		Unit
			Min.	Max.	Min.	Max.	Min.	Max.	Min.	Max.	
V <sub>OH</sub>	Output HIGH Voltage	V <sub>CC</sub> = Min., I <sub>OH</sub> = -4.0 mA	2.4		2.4		2.4		2.4		V
V <sub>OL</sub>	Output LOW Voltage	I <sub>OL</sub> = 4.0 mA		0.4		0.4		0.4		0.4	V
		I <sub>OL</sub> = 16.0 mA <sup>[7]</sup>		0.5		0.5		0.5		0.5	
V <sub>IH</sub>	Input HIGH Voltage		2.2		2.2		2.2		2.2		V
V <sub>IL</sub>	Input LOW Voltage			0.8		0.8		0.8		0.8	V
I <sub>IX</sub>	Input Leakage Current	GND ≤ V <sub>I</sub> ≤ V <sub>CC</sub>	-5	+5	-5	+5	-5	+5	-5	+5	µA
I <sub>OZ</sub>	Output Leakage Current	GND ≤ V <sub>O</sub> ≤ V <sub>CC</sub> , Output Disabled	-5	+5	-5	+5	-5	+5	-5	+5	µA
I <sub>OS</sub>	Output Short Circuit Current <sup>[8, 9]</sup>	V <sub>CC</sub> = Max., V <sub>OUT</sub> = GND		-350		-350		-350		-350	mA
I <sub>CC</sub>	V <sub>CC</sub> Operating Supply Current	CE = V <sub>IL</sub> , Outputs Open, f = f <sub>MAX</sub> <sup>[10]</sup>	Com'l	190		170		120		110	mA
			Mil				170		120		
I <sub>SB1</sub>	Standby Current Both Ports, TTL Inputs	CE <sub>L</sub> and CE <sub>R</sub> ≥ V <sub>IH</sub> , f = f <sub>MAX</sub> <sup>[10]</sup>	Com'l	75		65		45		35	mA
			Mil				65		45		
I <sub>SB2</sub>	Standby Current One Port, TTL Inputs	CE <sub>L</sub> or CE <sub>R</sub> ≥ V <sub>IH</sub> , Active Port Outputs Open, f = f <sub>MAX</sub> <sup>[10]</sup>	Com'l	135		115		90		75	mA
			Mil				115		90		
I <sub>SB3</sub>	Standby Current Both Ports, CMOS Inputs	Both Ports CE <sub>L</sub> and CE <sub>R</sub> ≥ V <sub>CC</sub> - 0.2V, V <sub>IN</sub> ≥ V <sub>CC</sub> - 0.2V or V <sub>IN</sub> ≤ 0.2V, f = 0	Com'l	15		15		15		15	mA
			Mil				15		15		

Shaded areas contain preliminary information.

**Note:**

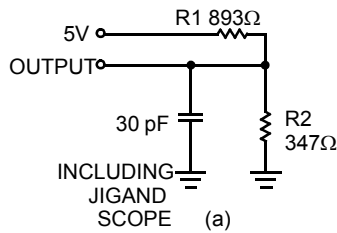
4. The Voltage on any input or I/O pin cannot exceed the power pin during power-up.
5. T<sub>A</sub> is the "instant on" case temperature
6. See the last page of this specification for Group A subgroup testing information.
7. BUSY and INT pins only.
8. Duration of the short circuit should not exceed 30 seconds.
9. This parameter is guaranteed but not tested.
10. At f = f<sub>MAX</sub>, address and data inputs are cycling at the maximum frequency of read cycle of 1/t<sub>RC</sub> and using AC Test Waveforms input levels of GND to 3V.

**Electrical Characteristics** Over the Operating Range<sup>[6]</sup> (continued)

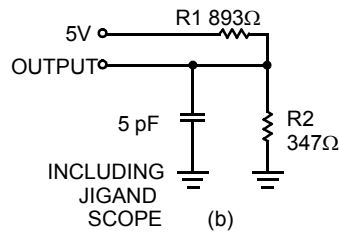
Parameter	Description	Test Conditions	7C131-15 <sup>[3]</sup> 7C141-15		7C130-30 <sup>[3]</sup> 7C131-25,30 7C140-30 7C141-25,30		7C130-35,45 7C131-35,45 7C140-35,45 7C141-35,45		7C130-55 7C131-55 7C140-55 7C141-55		Unit	
			Min.	Max.	Min.	Max.	Min.	Max.	Min.	Max.		
$I_{SB4}$	Standby Current One Port, CMOS Inputs	One Port $\overline{CE}_L$ or $\overline{CE}_R \geq V_{CC} - 0.2V$ , $V_{IN} \geq V_{CC} - 0.2V$ or $V_{IN} \leq 0.2V$ , Active Port Outputs Open, $f = f_{MAX}$ <sup>[10]</sup>	Com'l		125		105		85		70	mA
			Mil					105		85		

**Capacitance<sup>[9]</sup>**

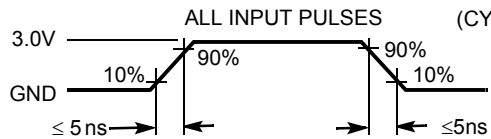
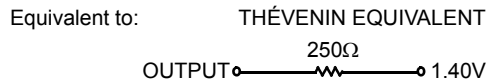
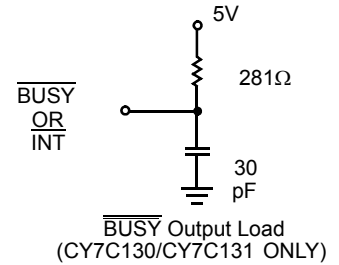
Parameter	Description	Test Conditions	Max.	Unit
$C_{IN}$	Input Capacitance	$T_A = 25^\circ C$ , $f = 1$ MHz, $V_{CC} = 5.0V$	15	pF
$C_{OUT}$	Output Capacitance		10	pF

**AC Test Loads and Waveforms**


(a)



(b)



**Switching Characteristics** Over the Operating Range<sup>[6, 11]</sup>

Parameter	Description	7C131-15 <sup>[3]</sup> 7C141-15		7C130-25 <sup>[3]</sup> 7C131-25 7C140-25 7C141-25		7C130-30 7C131-30 7C140-30 7C141-30		Unit
		Min.	Max.	Min.	Max.	Min.	Max.	
<b>READ CYCLE</b>								
t <sub>RC</sub>	Read Cycle Time	15		25		30		ns
t <sub>AA</sub>	Address to Data Valid <sup>[12]</sup>		15		25		30	ns
t <sub>OHA</sub>	Data Hold from Address Change	0		0		0		ns
t <sub>ACE</sub>	$\overline{CE}$ LOW to Data Valid <sup>[12]</sup>		15		25		30	ns
t <sub>DOE</sub>	$\overline{OE}$ LOW to Data Valid <sup>[12]</sup>		10		15		20	ns
t <sub>LZOE</sub>	$\overline{OE}$ LOW to Low Z <sup>[9, 13, 14]</sup>	3		3		3		ns
t <sub>HZOE</sub>	$\overline{OE}$ HIGH to High Z <sup>[9, 13, 14]</sup>		10		15		15	ns
t <sub>LZCE</sub>	$\overline{CE}$ LOW to Low Z <sup>[9, 13, 14]</sup>	3		5		5		ns
t <sub>HZCE</sub>	$\overline{CE}$ HIGH to High Z <sup>[9, 13, 14]</sup>		10		15		15	ns
t <sub>PU</sub>	$\overline{CE}$ LOW to Power-Up <sup>[9]</sup>	0		0		0		ns
t <sub>PD</sub>	$\overline{CE}$ HIGH to Power-Down <sup>[9]</sup>		15		25		25	ns
<b>WRITE CYCLE<sup>[15]</sup></b>								
t <sub>WC</sub>	Write Cycle Time	15		25		30		ns
t <sub>SCE</sub>	$\overline{CE}$ LOW to Write End	12		20		25		ns
t <sub>AW</sub>	Address Set-Up to Write End	12		20		25		ns
t <sub>HA</sub>	Address Hold from Write End	2		2		2		ns
t <sub>SA</sub>	Address Set-Up to Write Start	0		0		0		ns
t <sub>PWE</sub>	R/W Pulse Width	12		15		25		ns
t <sub>SD</sub>	Data Set-Up to Write End	10		15		15		ns
t <sub>HD</sub>	Data Hold from Write End	0		0		0		ns
t <sub>HZWE</sub>	R/W LOW to High Z <sup>[14]</sup>		10		15		15	ns
t <sub>LZWE</sub>	R/W HIGH to Low Z <sup>[14]</sup>	0		0		0		ns

Shaded areas contain preliminary information.

**Note:**

11. Test conditions assume signal transition times of 5 ns or less, timing reference levels of 1.5V, input pulse levels of 0 to 3.0V and output loading of the specified I<sub>OL</sub>/I<sub>OH</sub> and 30-pF load capacitance.
12. AC Test Conditions use V<sub>OH</sub> = 1.6V and V<sub>OL</sub> = 1.4V.
13. At any given temperature and voltage condition for any given device, t<sub>HZCE</sub> is less than t<sub>LZCE</sub> and t<sub>HZOE</sub> is less than t<sub>LZOE</sub>.
14. t<sub>LZCE</sub>, t<sub>LZWE</sub>, t<sub>HZOE</sub>, t<sub>LZOE</sub>, t<sub>HZCE</sub> and t<sub>HZWE</sub> are tested with C<sub>L</sub> = 5pF as in part (b) of AC Test Loads. Transition is measured ±500 mV from steady state voltage.
15. The internal write time of the memory is defined by the overlap of CS LOW and R/W LOW. Both signals must be low to initiate a write and either signal can terminate a write by going high. The data input set-up and hold timing should be referenced to the rising edge of the signal that terminates the write.



**Switching Characteristics** Over the Operating Range<sup>[6, 11]</sup> (continued)

Parameter	Description	7C131-15 <sup>[3]</sup> 7C141-15		7C130-25 <sup>[3]</sup> 7C131-25 7C140-25 7C141-25		7C130-30 7C131-30 7C140-30 7C141-30		Unit
		Min.	Max.	Min.	Max.	Min.	Max.	
<b>BUSY/INTERRUPT TIMING</b>								
t <sub>BLA</sub>	BUSY LOW from Address Match		15		20		20	ns
t <sub>BHA</sub>	BUSY HIGH from Address Mismatch <sup>[16]</sup>		15		20		20	ns
t <sub>BLC</sub>	BUSY LOW from $\overline{CE}$ LOW		15		20		20	ns
t <sub>BHC</sub>	BUSY HIGH from $\overline{CE}$ HIGH <sup>[16]</sup>		15		20		20	ns
t <sub>PS</sub>	Port Set Up for Priority	5		5		5		ns
t <sub>WB</sub> <sup>[17]</sup>	R/W LOW after BUSY LOW	0		0		0		ns
t <sub>WH</sub>	R/W HIGH after BUSY HIGH	13		20		30		ns
t <sub>BDD</sub>	BUSY HIGH to Valid Data		15		25		30	ns
t <sub>DDD</sub>	Write Data Valid to Read Data Valid		Note 18		Note 18		Note 18	ns
t <sub>WDD</sub>	Write Pulse to Data Delay		Note 18		Note 18		Note 18	ns
<b>INTERRUPT TIMING</b>								
t <sub>WINS</sub>	R/W to INTERRUPT Set Time		15		25		25	ns
t <sub>EINS</sub>	$\overline{CE}$ to INTERRUPT Set Time		15		25		25	ns
t <sub>INS</sub>	Address to INTERRUPT Set Time		15		25		25	ns
t <sub>OINR</sub>	$\overline{OE}$ to INTERRUPT Reset Time <sup>[16]</sup>		15		25		25	ns
t <sub>EINR</sub>	$\overline{CE}$ to INTERRUPT Reset Time <sup>[16]</sup>		15		25		25	ns
t <sub>INR</sub>	Address to INTERRUPT Reset Time <sup>[16]</sup>		15		25		25	ns

Shaded areas contain preliminary information.

**Note:**

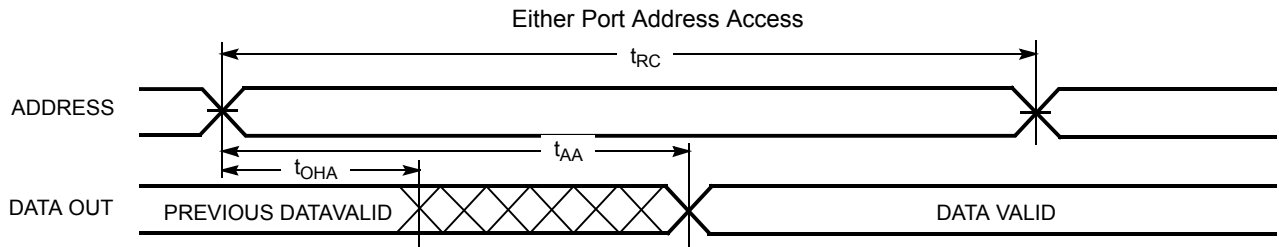
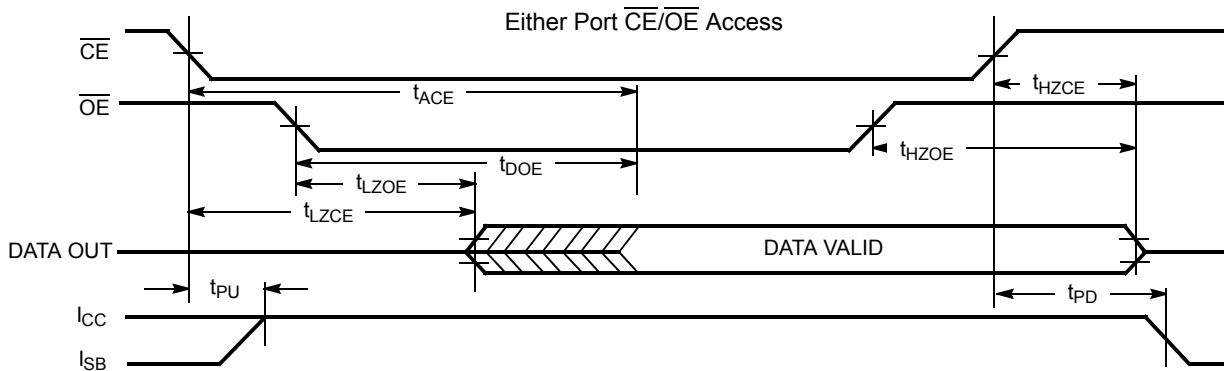
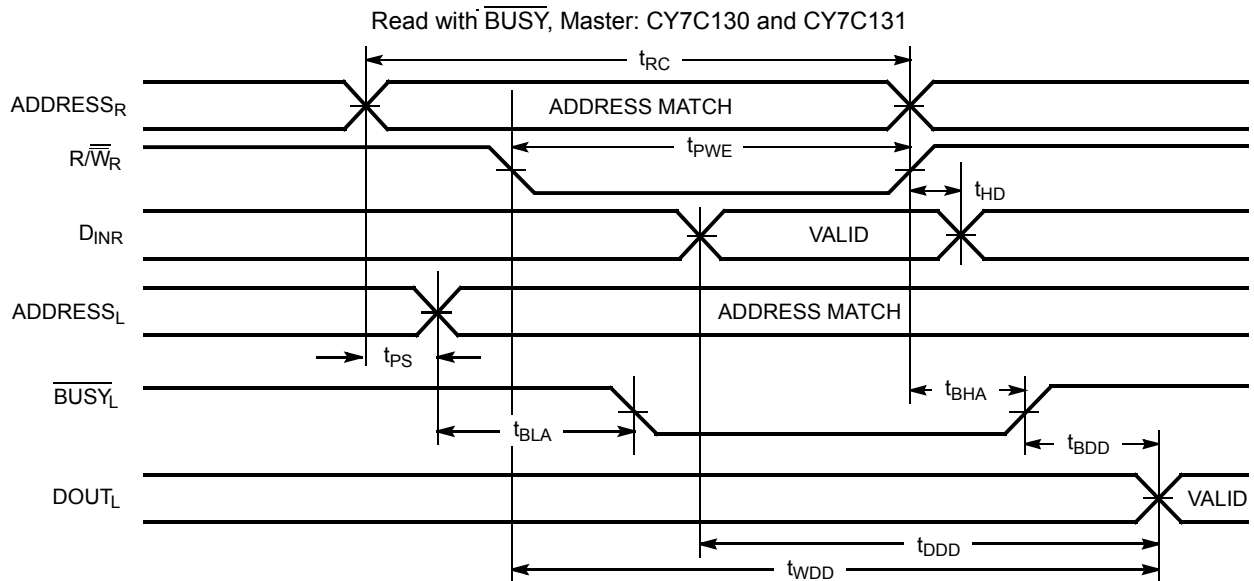
- 16. These parameters are measured from the input signal changing, until the output pin goes to a high-impedance state.
- 17. CY7C140/CY7C141 only.
- 18. A write operation on Port A, where Port A has priority, leaves the data on Port B's outputs undisturbed until one access time after one of the following:  
 BUSY on Port B goes HIGH.  
 Port B's address is toggled.  
 $\overline{CE}$  for Port B is toggled.  
 R/W for Port B is toggled during valid read.

**Switching Characteristics** Over the Operating Range<sup>[6, 11]</sup>

Parameter	Description	7C130-35 7C131-35 7C140-35 7C141-35		7C130-45 7C131-45 7C140-45 7C141-45		7C130-55 7C131-55 7C140-55 7C141-55		Unit
		Min.	Max.	Min.	Max.	Min.	Max.	
<b>READ CYCLE</b>								
t <sub>RC</sub>	Read Cycle Time	35		45		55		ns
t <sub>AA</sub>	Address to Data Valid <sup>[12]</sup>		35		45		55	ns
t <sub>OHA</sub>	Data Hold from Address Change	0		0		0		ns
t <sub>ACE</sub>	$\overline{CE}$ LOW to Data Valid <sup>[12]</sup>		35		45		55	ns
t <sub>DOE</sub>	$\overline{OE}$ LOW to Data Valid <sup>[12]</sup>		20		25		25	ns
t <sub>LZOE</sub>	$\overline{OE}$ LOW to Low Z <sup>[9, 13, 14]</sup>	3		3		3		ns
t <sub>HZOE</sub>	$\overline{OE}$ HIGH to High Z <sup>[9, 13, 14]</sup>		20		20		25	ns
t <sub>LZCE</sub>	$\overline{CE}$ LOW to Low Z <sup>[9, 13, 14]</sup>	5		5		5		ns

**Switching Characteristics** Over the Operating Range<sup>[6,11]</sup> (continued)

Parameter	Description	7C130-35 7C131-35 7C140-35 7C141-35		7C130-45 7C131-45 7C140-45 7C141-45		7C130-55 7C131-55 7C140-55 7C141-55		Unit
		Min.	Max.	Min.	Max.	Min.	Max.	
t <sub>HZCE</sub>	$\overline{CE}$ HIGH to High Z <sup>[9, 13, 14]</sup>		20		20		25	ns
t <sub>PU</sub>	$\overline{CE}$ LOW to Power-Up <sup>[9]</sup>	0		0		0		ns
t <sub>PD</sub>	$\overline{CE}$ HIGH to Power-Down <sup>[9]</sup>		35		35		35	ns
<b>WRITE CYCLE<sup>[15]</sup></b>								
t <sub>WC</sub>	Write Cycle Time	35		45		55		ns
t <sub>SCE</sub>	$\overline{CE}$ LOW to Write End	30		35		40		ns
t <sub>AW</sub>	Address Set-Up to Write End	30		35		40		ns
t <sub>HA</sub>	Address Hold from Write End	2		2		2		ns
t <sub>SA</sub>	Address Set-Up to Write Start	0		0		0		ns
t <sub>PWE</sub>	R $\overline{W}$ Pulse Width	25		30		30		ns
t <sub>SD</sub>	Data Set-Up to Write End	15		20		20		ns
t <sub>HD</sub>	Data Hold from Write End	0		0		0		ns
t <sub>HZWE</sub>	R $\overline{W}$ LOW to High Z <sup>[14]</sup>		20		20		25	ns
t <sub>LZWE</sub>	R $\overline{W}$ HIGH to Low Z <sup>[14]</sup>	0		0		0		ns
<b>BUSY/INTERRUPT TIMING</b>								
t <sub>BLA</sub>	$\overline{BUSY}$ LOW from Address Match		20		25		30	ns
t <sub>BHA</sub>	$\overline{BUSY}$ HIGH from Address Mismatch <sup>[16]</sup>		20		25		30	ns
t <sub>BLC</sub>	$\overline{BUSY}$ LOW from $\overline{CE}$ LOW		20		25		30	ns
t <sub>BHC</sub>	$\overline{BUSY}$ HIGH from $\overline{CE}$ HIGH <sup>[16]</sup>		20		25		30	ns
t <sub>PS</sub>	Port Set Up for Priority	5		5		5		ns
t <sub>WB<sup>[17]</sup></sub>	R $\overline{W}$ LOW after $\overline{BUSY}$ LOW	0		0		0		ns
t <sub>WH</sub>	R $\overline{W}$ HIGH after $\overline{BUSY}$ HIGH	30		35		35		ns
t <sub>BDD</sub>	$\overline{BUSY}$ HIGH to Valid Data		35		45		45	ns
t <sub>DDD</sub>	Write Data Valid to Read Data Valid		Note 18		Note 18		Note 18	ns
t <sub>WDD</sub>	Write Pulse to Data Delay		Note 18		Note 18		Note 18	ns
<b>INTERRUPT TIMING</b>								
t <sub>WINS</sub>	R $\overline{W}$ to $\overline{INTERRUPT}$ Set Time		25		35		45	ns
t <sub>EINS</sub>	$\overline{CE}$ to $\overline{INTERRUPT}$ Set Time		25		35		45	ns
t <sub>INS</sub>	Address to $\overline{INTERRUPT}$ Set Time		25		35		45	ns
t <sub>OINR</sub>	$\overline{OE}$ to $\overline{INTERRUPT}$ Reset Time <sup>[16]</sup>		25		35		45	ns
t <sub>EINR</sub>	$\overline{CE}$ to $\overline{INTERRUPT}$ Reset Time <sup>[16]</sup>		25		35		45	ns
t <sub>INR</sub>	Address to $\overline{INTERRUPT}$ Reset Time <sup>[16]</sup>		25		35		45	ns

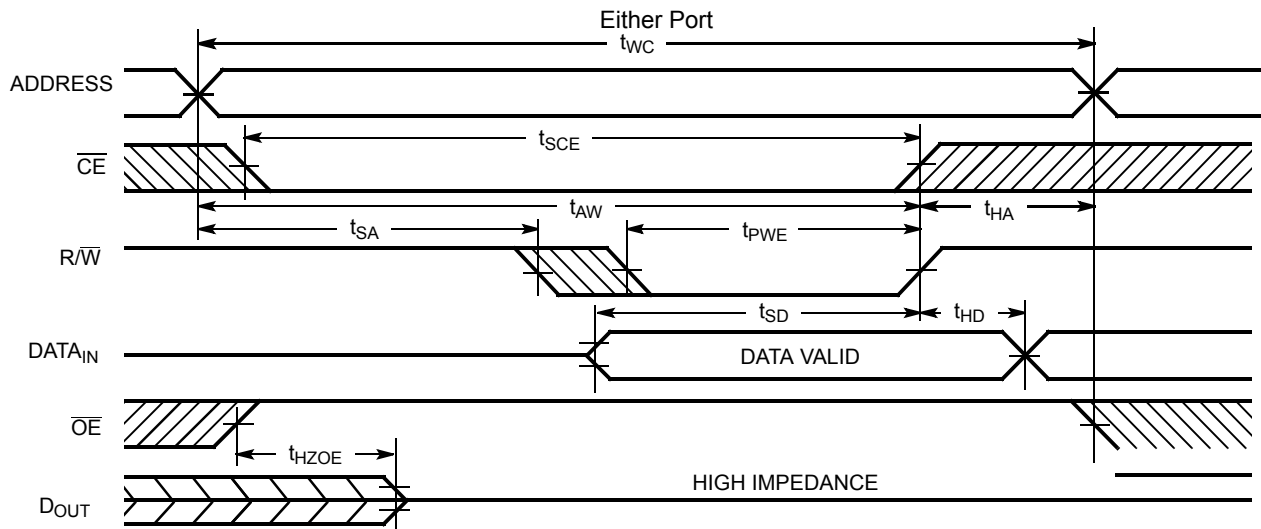
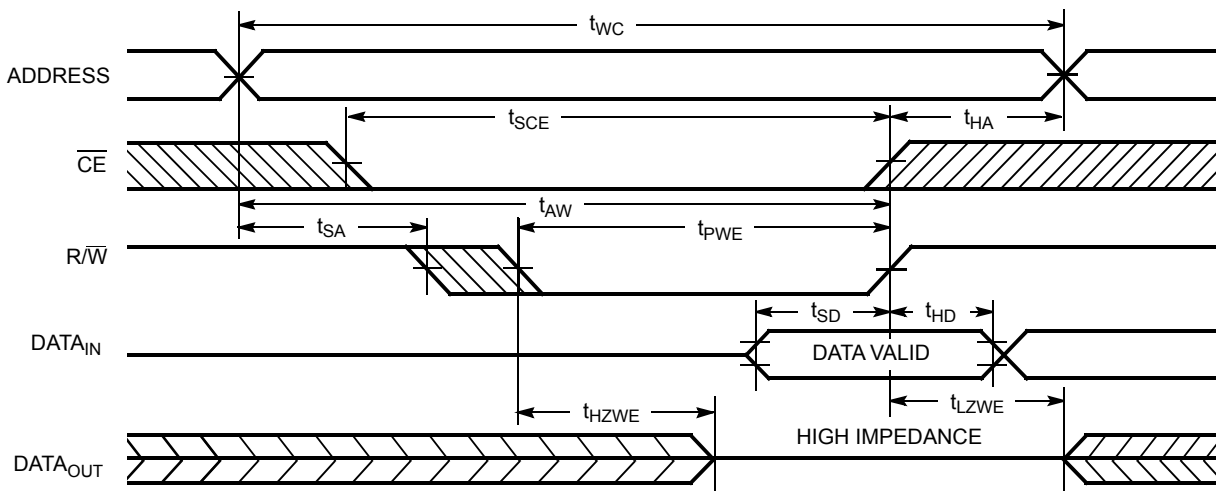
**Switching Waveforms**
**Read Cycle No. 1<sup>[19, 20]</sup>**

**Read Cycle No. 2<sup>[19, 21]</sup>**

**Read Cycle No. 3<sup>[20]</sup>**

**Notes:**

19. R/ $\overline{W}$  is HIGH for read cycle.

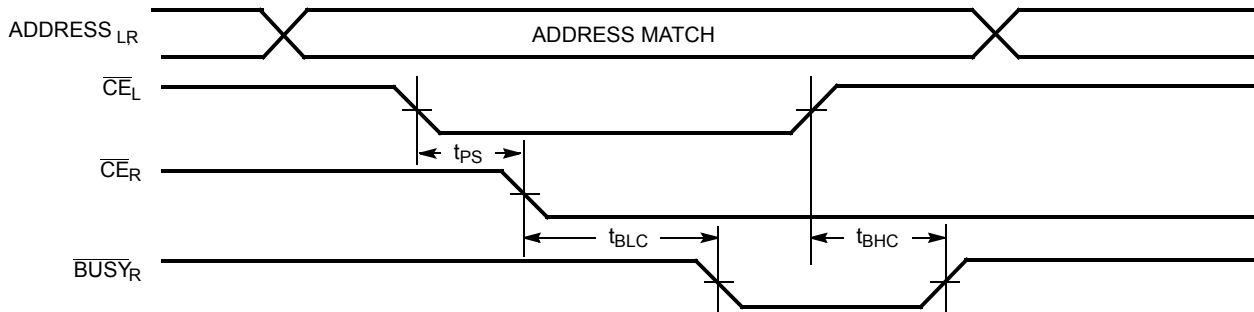
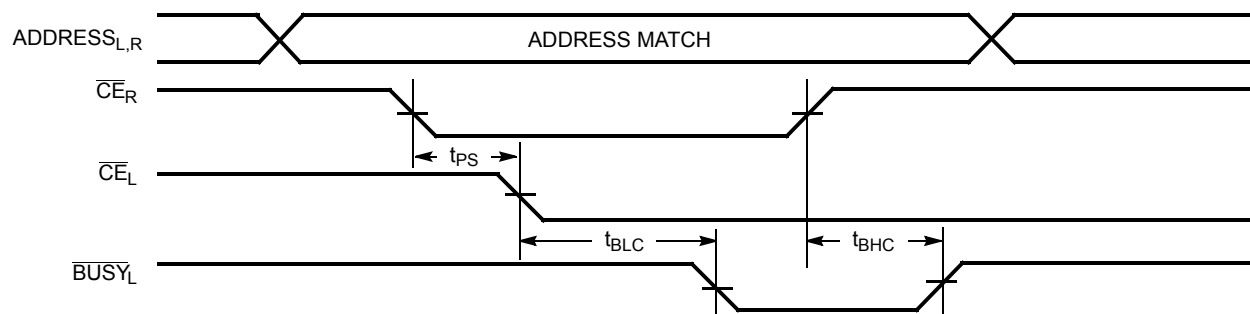
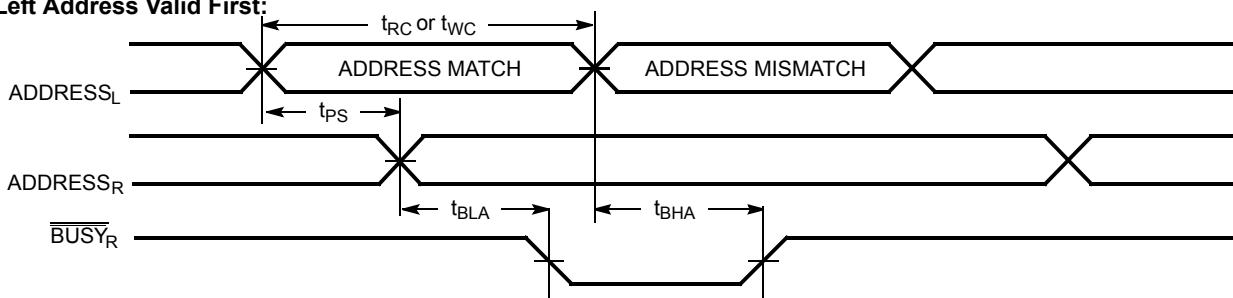
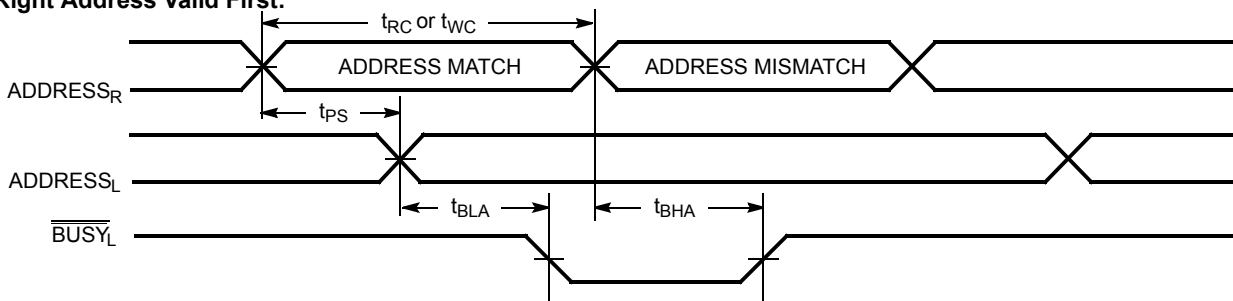
20. Device is continuously selected,  $\overline{CE} = V_{IL}$  and  $\overline{OE} = V_{IL}$ .

21. Address valid prior to or coincident with  $\overline{CE}$  transition LOW.



**Switching Waveforms (continued)**
**Write Cycle No. 1 (OE Three-States Data I/Os—Either Port)<sup>[15, 22]</sup>**

**Write Cycle No. 2 (R/W Three-States Data I/Os—Either Port)<sup>[16, 23]</sup>**

**Notes:**

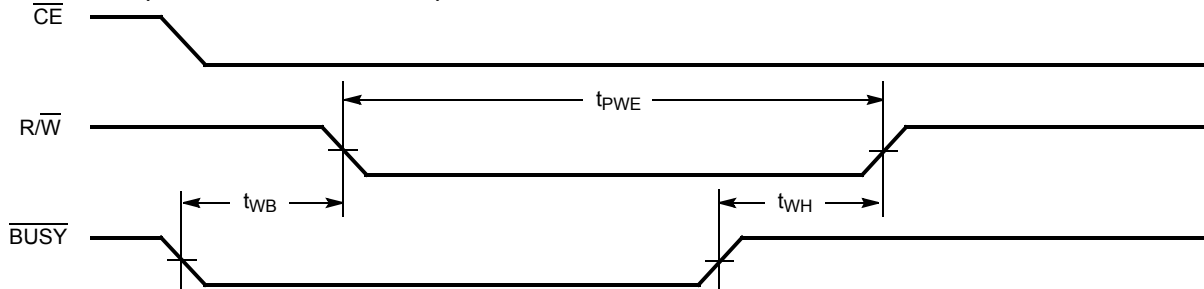
22. If  $\overline{OE}$  is LOW during a  $\overline{R/W}$  controlled write cycle, the write pulse width must be the larger of  $t_{PWE}$  or  $t_{HZWE} + t_{SD}$  to allow the data I/O pins to enter high impedance and for data to be placed on the bus for the required  $t_{SD}$ .
23. If the  $\overline{CE}$  LOW transition occurs simultaneously with or after the  $\overline{R/W}$  LOW transition, the outputs remain in the high-impedance state.

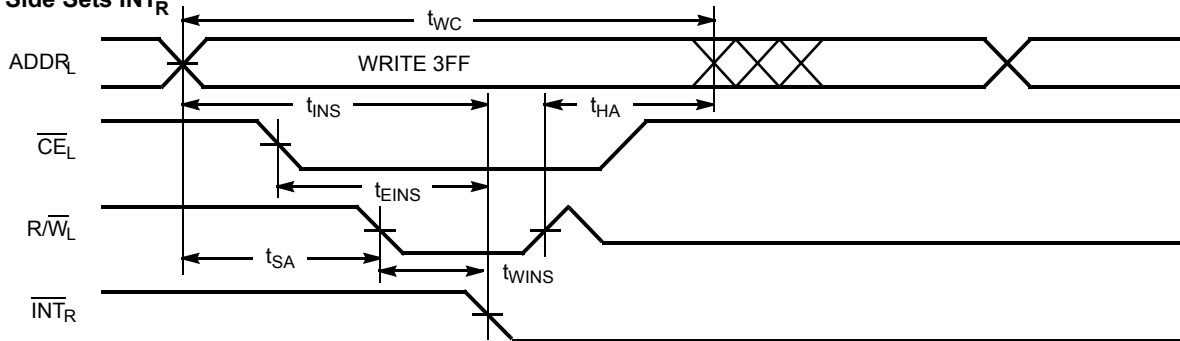
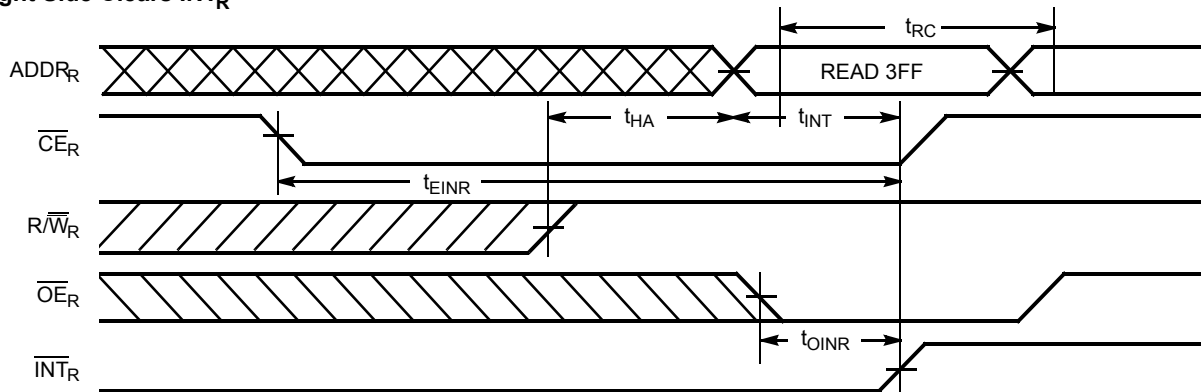
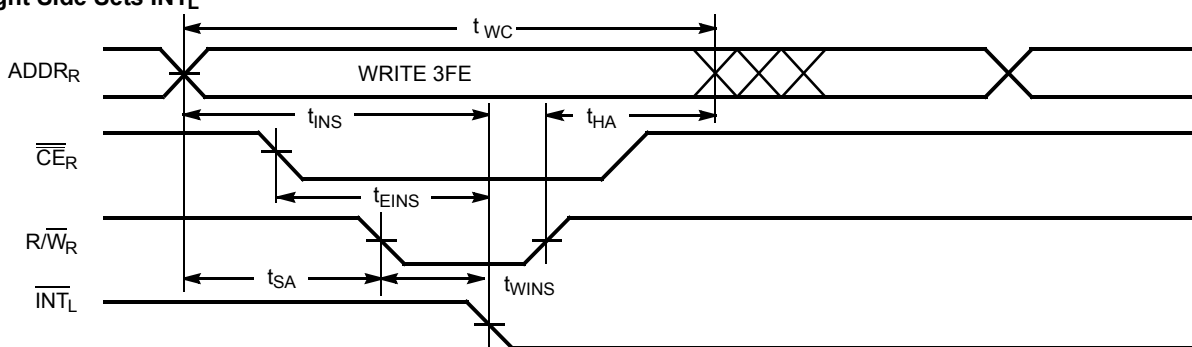
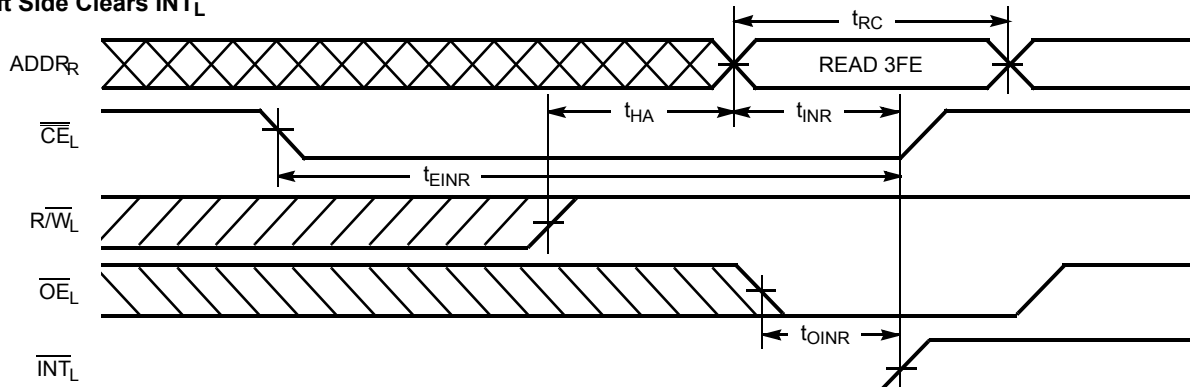
**Switching Waveforms (continued)**
**Busy Timing Diagram No. 1 ( $\overline{CE}$  Arbitration)**
 **$\overline{CE}_L$  Valid First:**

 **$\overline{CE}_R$  Valid First:**

**Busy Timing Diagram No. 2 (Address Arbitration)**
**Left Address Valid First:**

**Right Address Valid First:**


**Switching Waveforms** (continued)

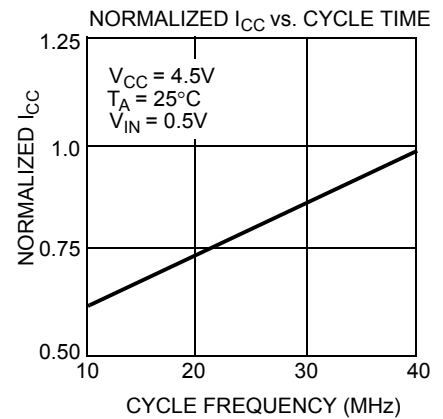
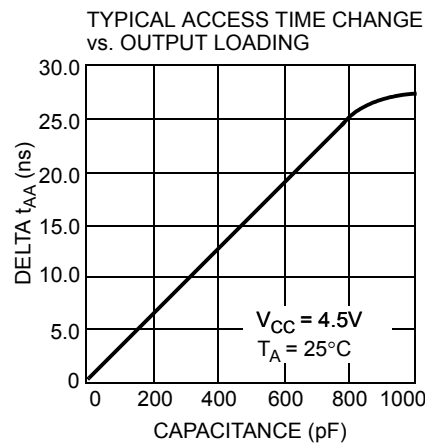
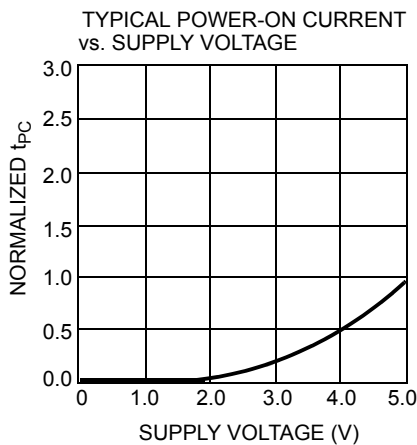
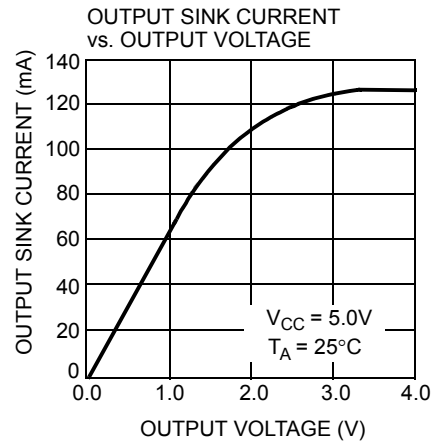
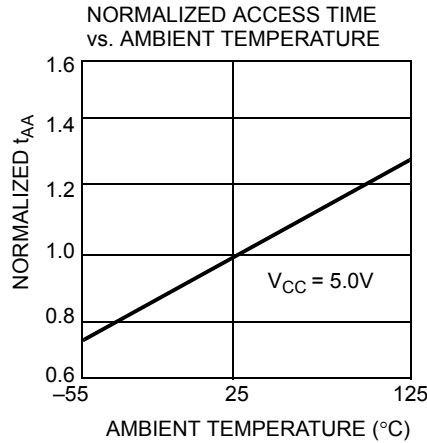
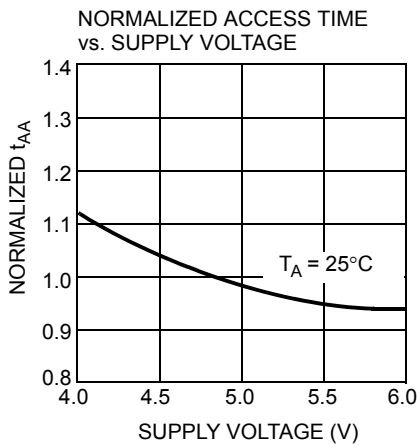
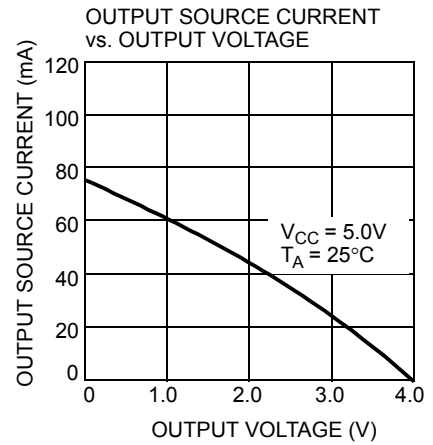
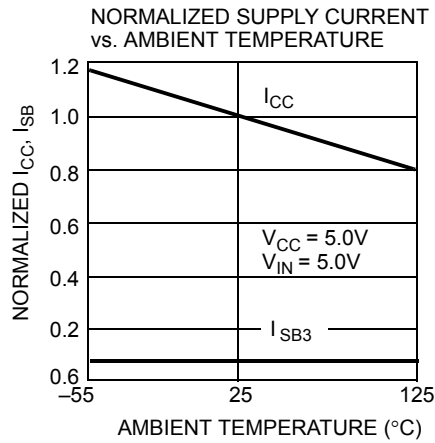
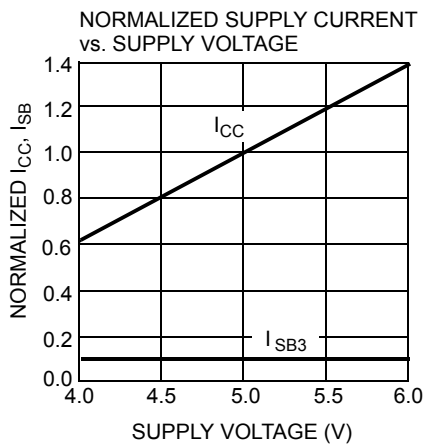
**Busy Timing Diagram No. 3**

Write with  $\overline{\text{BUSY}}$  (Slave:CY7C140/CY7C141)



**Switching Waveforms (continued)**
**Interrupt Timing Diagrams**
**Left Side Sets  $\overline{INT}_R$** 

**Right Side Clears  $\overline{INT}_R$** 

**Right Side Sets  $\overline{INT}_L$** 

**Left Side Clears  $\overline{INT}_L$** 


**Typical DC and AC Characteristics**



**Ordering Information**

Speed (ns)	Ordering Code	Package Name	Package Type	Operating Range
30	CY7C130-30PC	P25	48-Lead (600-Mil) Molded DIP	Commercial
	CY7C130-30PI	P25	48-Lead (600-Mil) Molded DIP	Industrial
35	CY7C130-35PC	P25	48-Lead (600-Mil) Molded DIP	Commercial
	CY7C130-35PI	P25	48-Lead (600-Mil) Molded DIP	Industrial
	CY7C130-35DMB	D26	48-Lead (600-Mil) Sidebrazed DIP	Military
45	CY7C130-45PC	P25	48-Lead (600-Mil) Molded DIP	Commercial
	CY7C130-45PI	P25	48-Lead (600-Mil) Molded DIP	Industrial
	CY7C130-45DMB	D26	48-Lead (600-Mil) Sidebrazed DIP	Military
55	CY7C130-55PC	P25	48-Lead (600-Mil) Molded DIP	Commercial
	CY7C130-55PI	P25	48-Lead (600-Mil) Molded DIP	Industrial
	CY7C130-55DMB	D26	48-Lead (600-Mil) Sidebrazed DIP	Military
15	CY7C131-15JC	J69	52-Lead Plastic Leaded Chip Carrier	Commercial
	CY7C131-15JXC	J69	52-Lead Pb-Free Plastic Leaded Chip Carrier	
	CY7C131-15NC	N52	52-Pin Plastic Quad Flatpack	
	CY7C131-15JI	J69	52-Lead Plastic Leaded Chip Carrier	Industrial
	CY7C131-15JXI	J69	52-Lead Pb-Free Plastic Leaded Chip Carrier	
25	CY7C131-25JC	J69	52-Lead Plastic Leaded Chip Carrier	Commercial
	CY7C131-25JXC	J69	52-Lead Pb-Free Plastic Leaded Chip Carrier	
	CY7C131-25NC	N52	52-Pin Plastic Quad Flatpack	
	CY7C131-25NXC	N52	52-Pin Pb-Free Plastic Quad Flatpack	
	CY7C131-25JI	J69	52-Lead Plastic Leaded Chip Carrier	Industrial
	CY7C131-25NI	N52	52-Pin Plastic Quad Flatpack	
30	CY7C131-30JC	J69	52-Lead Plastic Leaded Chip Carrier	Commercial
	CY7C131-30NC	N52	52-Pin Plastic Quad Flatpack	
	CY7C131-30JI	J69	52-Lead Plastic Leaded Chip Carrier	Industrial
35	CY7C131-35JC	J69	52-Lead Plastic Leaded Chip Carrier	Commercial
	CY7C131-35NC	N52	52-Pin Plastic Quad Flatpack	
	CY7C131-35JI	J69	52-Lead Plastic Leaded Chip Carrier	Industrial
	CY7C131-35NI	N52	52-Pin Plastic Quad Flatpack	
45	CY7C131-45JC	J69	52-Lead Plastic Leaded Chip Carrier	Commercial
	CY7C131-45NC	N52	52-Pin Plastic Quad Flatpack	
	CY7C131-45JI	J69	52-Lead Plastic Leaded Chip Carrier	Industrial
	CY7C131-45NI	N52	52-Pin Plastic Quad Flatpack	
55	CY7C131-55JC	J69	52-Lead Plastic Leaded Chip Carrier	Commercial
	CY7C131-55JXC	J69	52-Lead Pb-Free Plastic Leaded Chip Carrier	
	CY7C131-55NC	N52	52-Pin Plastic Quad Flatpack	
	CY7C131-55NXC	N52	52-Pin Pb-Free Plastic Quad Flatpack	
	CY7C131-55JI	J69	52-Lead Plastic Leaded Chip Carrier	Industrial
	CY7C131-55JXI	J69	52-Lead Pb-Free Plastic Leaded Chip Carrier	
	CY7C131-55NI	N52	52-Pin Plastic Quad Flatpack	

**Ordering Information** (continued)

Speed (ns)	Ordering Code	Package Name	Package Type	Operating Range
30	CY7C140-30PC	P25	48-Lead (600-Mil) Molded DIP	Commercial
	CY7C140-30PI	P25	48-Lead (600-Mil) Molded DIP	Industrial
35	CY7C140-35PC	P25	48-Lead (600-Mil) Molded DIP	Commercial
	CY7C140-35PI	P25	48-Lead (600-Mil) Molded DIP	Industrial
	CY7C140-35DMB	D26	48-Lead (600-Mil) Sidebrazed DIP	Military
45	CY7C140-45PC	P25	48-Lead (600-Mil) Molded DIP	Commercial
	CY7C140-45PI	P25	48-Lead (600-Mil) Molded DIP	Industrial
	CY7C140-45DMB	D26	48-Lead (600-Mil) Sidebrazed DIP	Military
55	CY7C140-55PC	P25	48-Lead (600-Mil) Molded DIP	Commercial
	CY7C140-55PI	P25	48-Lead (600-Mil) Molded DIP	Industrial
	CY7C140-55DMB	D26	48-Lead (600-Mil) Sidebrazed DIP	Military
15	CY7C141-15JC	J69	52-Lead Plastic Leaded Chip Carrier	Commercial
	CY7C141-15NC	N52	52-Pin Plastic Quad Flatpack	
25	CY7C141-25JC	J69	52-Lead Plastic Leaded Chip Carrier	Commercial
	CY7C141-25JXC	J69	52-Lead Pb-Free Plastic Leaded Chip Carrier	
	CY7C141-25NC	N52	52-Pin Plastic Quad Flatpack	
	CY7C141-25JI	J69	52-Lead Plastic Leaded Chip Carrier	Industrial
	CY7C141-25NI	N52	52-Pin Plastic Quad Flatpack	
30	CY7C141-30JC	J69	52-Lead Plastic Leaded Chip Carrier	Commercial
	CY7C141-30NC	N52	52-Pin Plastic Quad Flatpack	
	CY7C141-30JI	J69	52-Lead Plastic Leaded Chip Carrier	Industrial
35	CY7C141-35JC	J69	52-Lead Plastic Leaded Chip Carrier	Commercial
	CY7C141-35NC	N52	52-Pin Plastic Quad Flatpack	
	CY7C141-35JI	J69	52-Lead Plastic Leaded Chip Carrier	Industrial
	CY7C141-35NI	N52	52-Pin Plastic Quad Flatpack	
45	CY7C141-45JC	J69	52-Lead Plastic Leaded Chip Carrier	Commercial
	CY7C141-45NC	N52	52-Pin Plastic Quad Flatpack	
	CY7C141-45JI	J69	52-Lead Plastic Leaded Chip Carrier	Industrial
	CY7C141-45NI	N52	52-Pin Plastic Quad Flatpack	
55	CY7C141-55JC	J69	52-Lead Plastic Leaded Chip Carrier	Commercial
	CY7C141-55NC	N52	52-Pin Plastic Quad Flatpack	
	CY7C141-55JI	J69	52-Lead Plastic Leaded Chip Carrier	Industrial
	CY7C141-55NI	N52	52-Pin Plastic Quad Flatpack	

**MILITARY SPECIFICATIONS**
**Group A Subgroup Testing**
**DC Characteristics**

Parameter	Subgroups
$V_{OH}$	1, 2, 3
$V_{OL}$	1, 2, 3
$V_{IH}$	1, 2, 3
$V_{IL Max.}$	1, 2, 3
$I_{IX}$	1, 2, 3
$I_{OZ}$	1, 2, 3
$I_{CC}$	1, 2, 3
$I_{SB1}$	1, 2, 3
$I_{SB2}$	1, 2, 3
$I_{SB3}$	1, 2, 3
$I_{SB4}$	1, 2, 3

**Switching Characteristics**

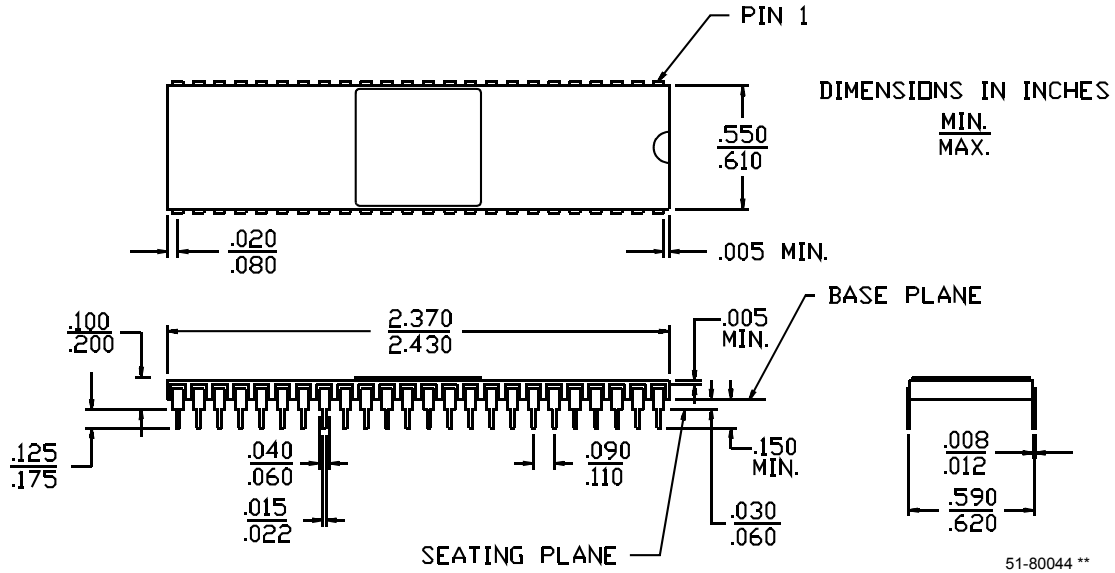
Parameter	Subgroups
<b>READ CYCLE</b>	
$t_{RC}$	7, 8, 9, 10, 11
$t_{AA}$	7, 8, 9, 10, 11
$t_{ACE}$	7, 8, 9, 10, 11
$t_{DOE}$	7, 8, 9, 10, 11
<b>WRITE CYCLE</b>	
$t_{WC}$	7, 8, 9, 10, 11
$t_{SCE}$	7, 8, 9, 10, 11
$t_{AW}$	7, 8, 9, 10, 11
$t_{HA}$	7, 8, 9, 10, 11
$t_{SA}$	7, 8, 9, 10, 11
$t_{PWE}$	7, 8, 9, 10, 11
$t_{SD}$	7, 8, 9, 10, 11
$t_{HD}$	7, 8, 9, 10, 11
<b>BUSY/INTERRUPT TIMING</b>	
$t_{BLA}$	7, 8, 9, 10, 11
$t_{BHA}$	7, 8, 9, 10, 11
$t_{BLC}$	7, 8, 9, 10, 11
$t_{BHC}$	7, 8, 9, 10, 11
$t_{PS}$	7, 8, 9, 10, 11
$t_{WINS}$	7, 8, 9, 10, 11
$t_{EINS}$	7, 8, 9, 10, 11
$t_{INS}$	7, 8, 9, 10, 11
$t_{OINR}$	7, 8, 9, 10, 11
$t_{EINR}$	7, 8, 9, 10, 11
$t_{INR}$	7, 8, 9, 10, 11
<b>BUSY TIMING</b>	
$t_{WB}^{[24]}$	7, 8, 9, 10, 11
$t_{WH}$	7, 8, 9, 10, 11
$t_{BDD}$	7, 8, 9, 10, 11

**Note:**  
24. CY7C140/CY7C141 only.

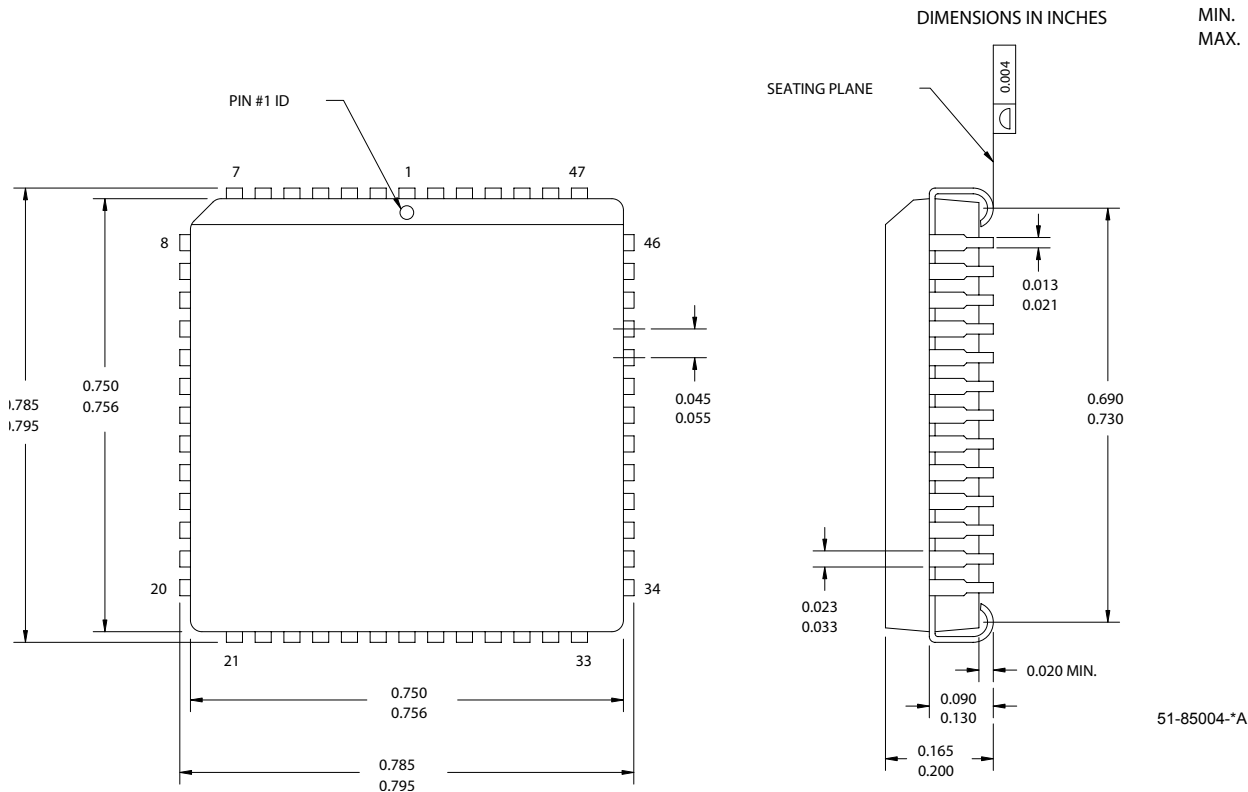


Package Diagrams

**48-Lead (600-Mil) Sidebrazed DIP D26**  
MIL-STD-1835 D-14 Config. C

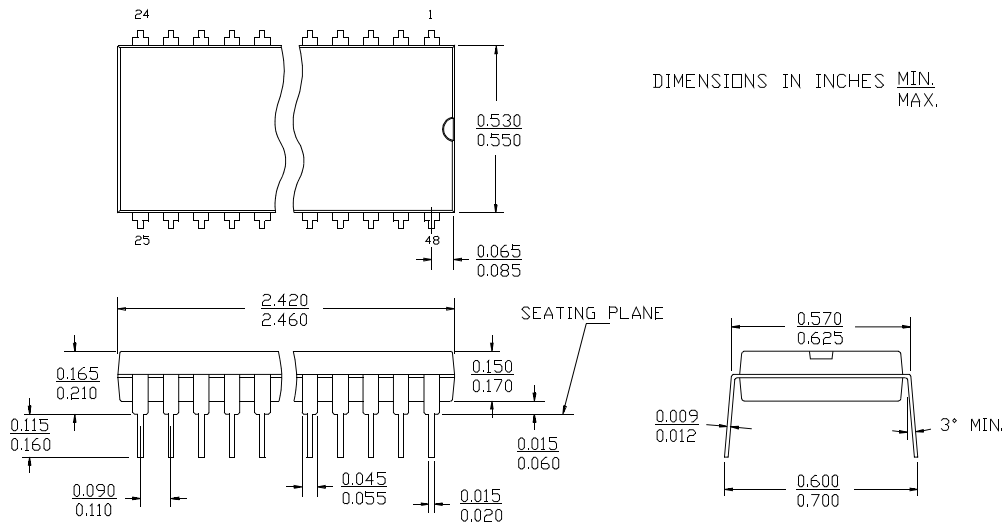


**52-Lead Plastic Leaded Chip Carrier J69**  
**52-Lead Pb-Free Plastic Leaded Chip Carrier J69**



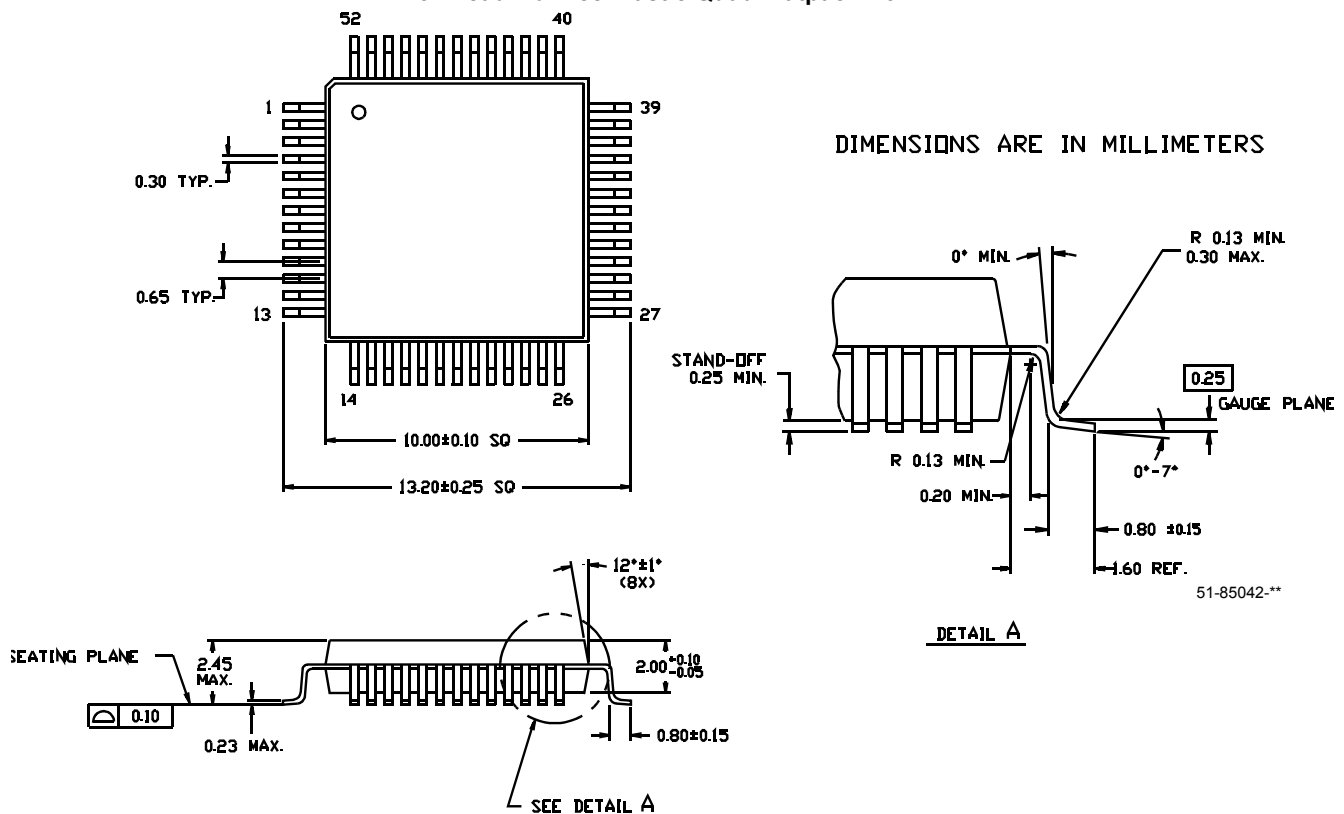
Package Diagrams (continued)

**48-Lead (600-Mil) Molded DIP P25**



51-85020-\*A

**52-Lead Plastic Quad Flatpack N52**  
**52-Lead Pb-Free Plastic Quad Flatpack N52**



51-85042-\*\*

All products and company names mentioned in this document may be the trademarks of their respective holders.

**Document History Page**

Document Title: CY7C130/CY7C131/CY7C140/CY7C141 1K x 8 Dual-Port Static RAM				
Document Number: 38-06002				
REV.	ECN NO.	Issue Date	Orig. of Change	Description of Change
**	110169	09/29/01	SZV	Change from Spec number: 38-00027 to 38-06002
*A	122255	12/26/02	RBI	Power up requirements added to Maximum Ratings Information
*B	236751	See ECN	YDT	Removed cross information from features section
*C	325936	See ECN	RUY	Added pin definitions table, 52-pin PQFP package diagram and Pb-free information
*D	393153	See ECN	YIM	Added CY7C131-15JI to ordering information Added Pb-Free parts to ordering information: CY7C131-15JXI