

THIS DRAWING IS UNPUBLISHED.

RELEASED FOR PUBLICATION JUNE , 2005.

REVISIONS

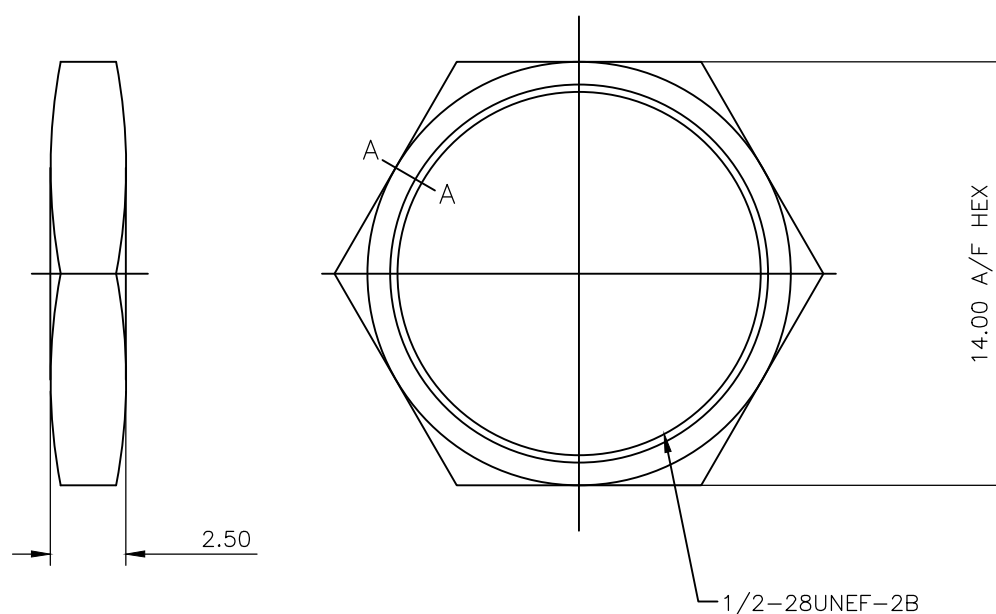
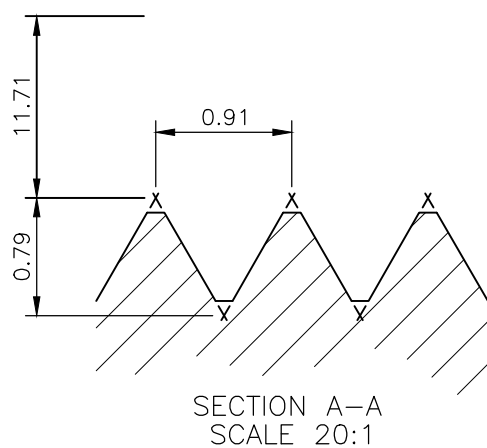
© COPYRIGHT 2005 By -

ALL RIGHTS RESERVED.

P	LTR	DESCRIPTION	DATE	DWN	APVD
	B	REVISED PER ECR-19-008768	05NOV2019	ED	RS

NOTES:

- 1 SINGLE PACK IN ACCORDANCE WITH AMP SPEC 107-3275
- 2 Ni PLATING OVER Cu PLATING
- 3 FOR TECHNICAL DATA REFER TO YOUR LOCAL TE CONNECTIVITY SALES OFFICE
- 4. ALL DIMENSIONS ARE NOMINAL FOR REFERENCE ONLY UNLESS OTHERWISE STATED



SUPERSEDED TO 9-329631-3

1	BRASS	2	HEXAGONAL NUT
1-0	MATERIAL		DESCRIPTION
QUANTITY		PARTS LIST	

THIS DRAWING IS A CONTROLLED DOCUMENT.		DWN	J.SANDWELL	08JAN04	STE TE Connectivity	NAME BNC/TNC HEXAGONAL NUT										
DIMENSIONS: mm		CHK	S.PARLOW	28JUN05												
TOLERANCES UNLESS OTHERWISE SPECIFIED:		APVD	F.WHEELER-KING	28JUN05												
<table border="0"> <tr><td>0 PLC</td><td>± -</td></tr> <tr><td>1 PLC</td><td>± -</td></tr> <tr><td>2 PLC</td><td>± -</td></tr> <tr><td>3 PLC</td><td>± -</td></tr> <tr><td>4 PLC</td><td>± -</td></tr> <tr><td>ANGLES</td><td>± -</td></tr> </table>		0 PLC	± -	1 PLC					± -	2 PLC	± -	3 PLC	± -	4 PLC	± -	ANGLES
0 PLC	± -															
1 PLC	± -															
2 PLC	± -															
3 PLC	± -															
4 PLC	± -															
ANGLES	± -															
MATERIAL	SEE TABLE	FINISH	SEE TABLE	APPLICATION SPEC	-	SIZE	CAGE CODE	DRAWING NO	RESTRICTED TO							
		WEIGHT	0.000000	CUSTOMER DRAWING	A3	00779	C-1634816									
		SCALE	NTS	SHEET	1 OF 1	REV	B									