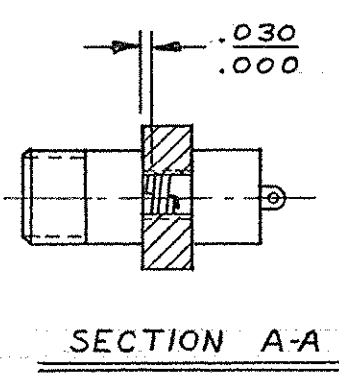
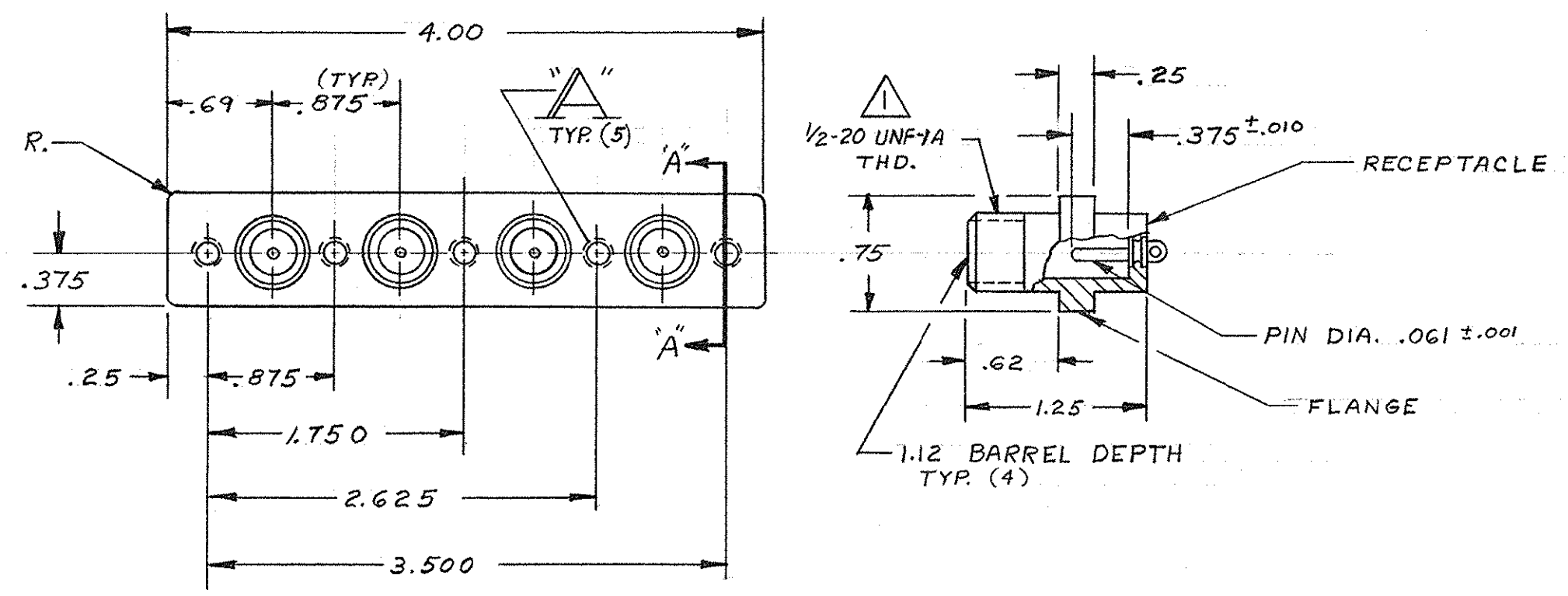



© COPYRIGHT 19 BY AMP INCORPORATED, HARRISBURG, PA. ALL INTERNATIONAL RIGHTS RESERVED. AMP INCORPORATED PRODUCTS COVERED BY U. S. AND FOREIGN PATENTS AND/OR PATENTS PENDING.

| REVISIONS | | | | | | |
|-----------|---|------|-----|------------------------------------|---------|----------|
| P | F | ZONE | LTR | DESCRIPTION | DATE | APPROVED |
| | ✓ | | E | REDRAWN & UP-DATED ECN 8375 P.G.R. | 8-27-78 | M.G. |
| | ✓ | | F | REV PER ECN S-3960 | 4-15-87 | RB |
| | | | G | REV PER OH14-0192-05 | 1-06 | PY |



⚠ PER FEDERAL STANDARD H-28 3 WIRE METHOD. DIMENSION OVER WIRES TO BE: .497-.510.

| | | |
|--------------------------|-----------------------------------|----------------|
| #4-40 NON-LOCKING INSERT | AS SHOWN WITH TIN PLATED PIN | 5-861485-1 |
| *4-40 NON-LOCKING INSERT | AS SHOWN WITH GOLD PLATED PIN | 861485-6 |
| *4-40 NON-LOCKING INSERT | AS SHOWN WITH TIN-LEAD PLATED PIN | 861485-5 |
| .128 DIA. HOLE | AS SHOWN WITH GOLD PLATED PIN | 861485-4 |
| .128 DIA. HOLE | AS SHOWN WITH TIN-LEAD PLATED PIN | 861485-3 |
| *4-40 LOCKING INSERT | AS SHOWN WITH GOLD PLATED PIN | 861485-2 |
| *4-40 LOCKING INSERT | AS SHOWN WITH TIN-LEAD PLATED PIN | 861485-1 |
| A | DESCRIPTION | PART NO |

| | | | | | | | |
|--|-------------|-----------|---------|----------------------------|--|--|-------------------------------|
| UNLESS OTHERWISE SPECIFIED DIMENSIONS ARE IN INCHES. TOLERANCES: .00 ±.03 .000 ±.015 ANGLES ± | | | | CONTRACT NO | |  AMP INCORPORATED Elizabethtown, Pa. | |
| | | | | DR D. MEYER 5/9/73 | | | |
| MATERIAL MOLDED GLASS EPOXY | | | | CHK | | NAME LGH-1 RECEPTACLE BULKHEAD MOUNTING | |
| | | | | APPD M. GARDNER 5/10/73 | | | |
| FINISH BLACK | | | | DSGN APPD | | SIZE C | CODE IDENT NO 00779 |
| | | | | OTHER APPD | | DRAWING NO 861485 | |
| NEXT ASSY | FINAL ASSY | NEXT ASSY | USED ON | SCALE | | SHEET 10/1 | |
| QTY REQD | APPLICATION | | | | | | |