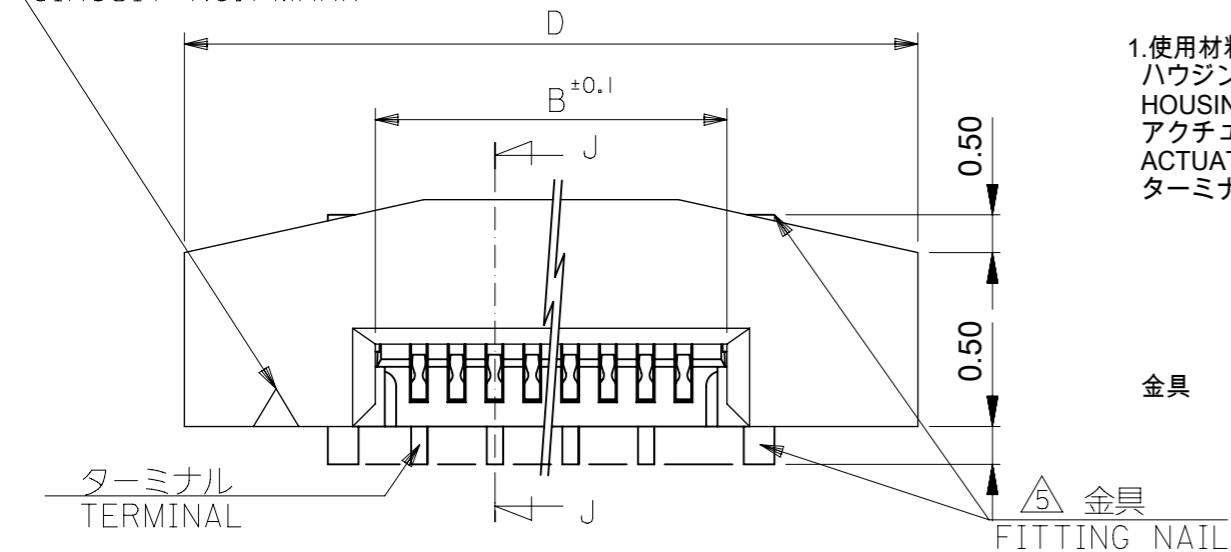


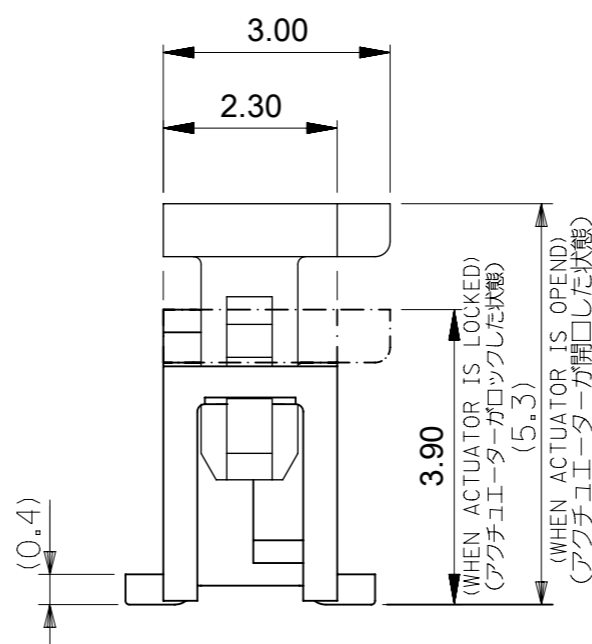
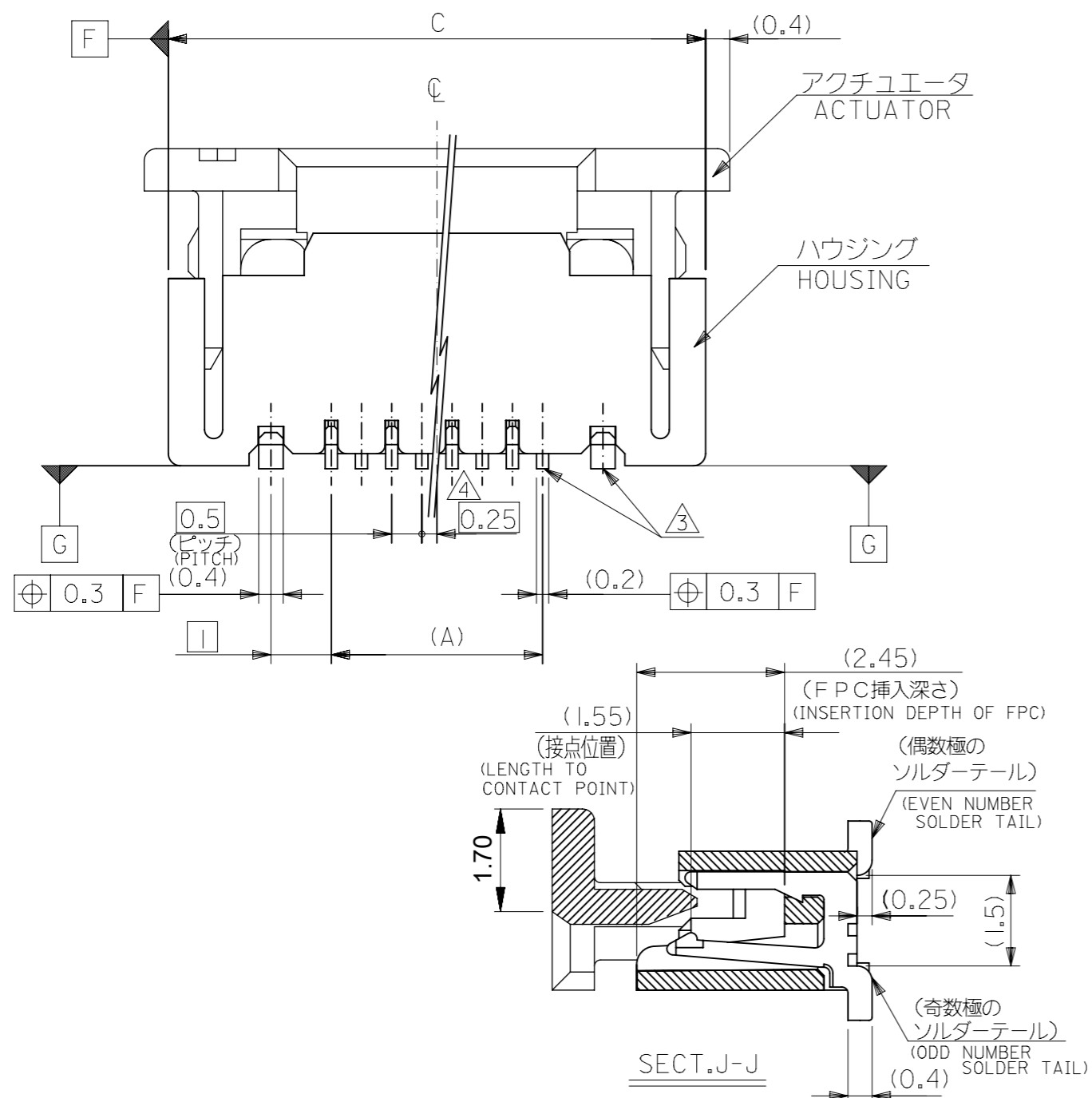
回路番号1用マーク
CIRCUIT NO.1 MARK



1.使用材料 MATERIAL

- ハウジング : 46ナイロン、UL94V-0
- HOUSING : PA46, UL94V-0
- アクチュエータ : ポリフェニレンサルファイド (PPS)、UL94V-0
- ACTUATOR : PPS, UL94V-0
- ターミナル : リン青銅(t=0.2) PHOS-BRO(t = 0.2)
- 接点部 金メッキ 0.1マイクロメートル以上
- CONTACT GOLD 0.1 MICROMETER MINIMUM
- 半田付け部 錫メッキ 1.0マイクロメートル以上
- TAIL TIN 1.0 MICROMETER MINIMUM
- ニッケル下地 1.0マイクロメートル以上
- NICKEL(UNDER PLATING) 1.0 MICROMETER MINIMUM
- 金具 : リン青銅(t=0.4) PHOS-BRO(t = 0.4)
- 錫メッキ 1.0マイクロメートル以上
- TIN 1.0 MICROMETER MINIMUM
- ニッケル下地 1.0マイクロメートル以上
- NICKEL(UNDER PLATING) 1.0 MICROMETER MINIMUM

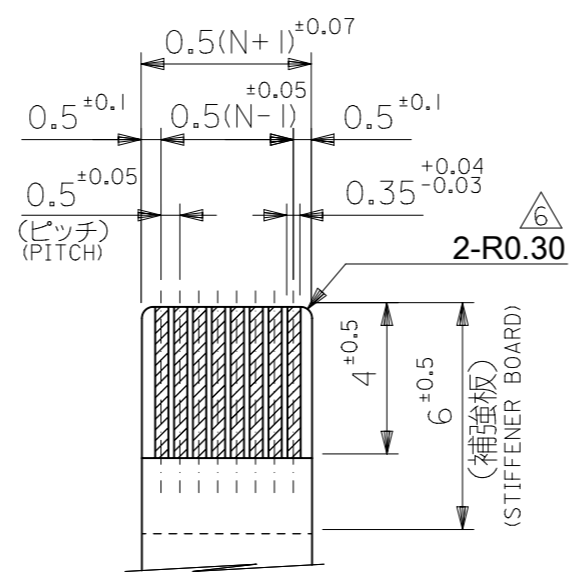
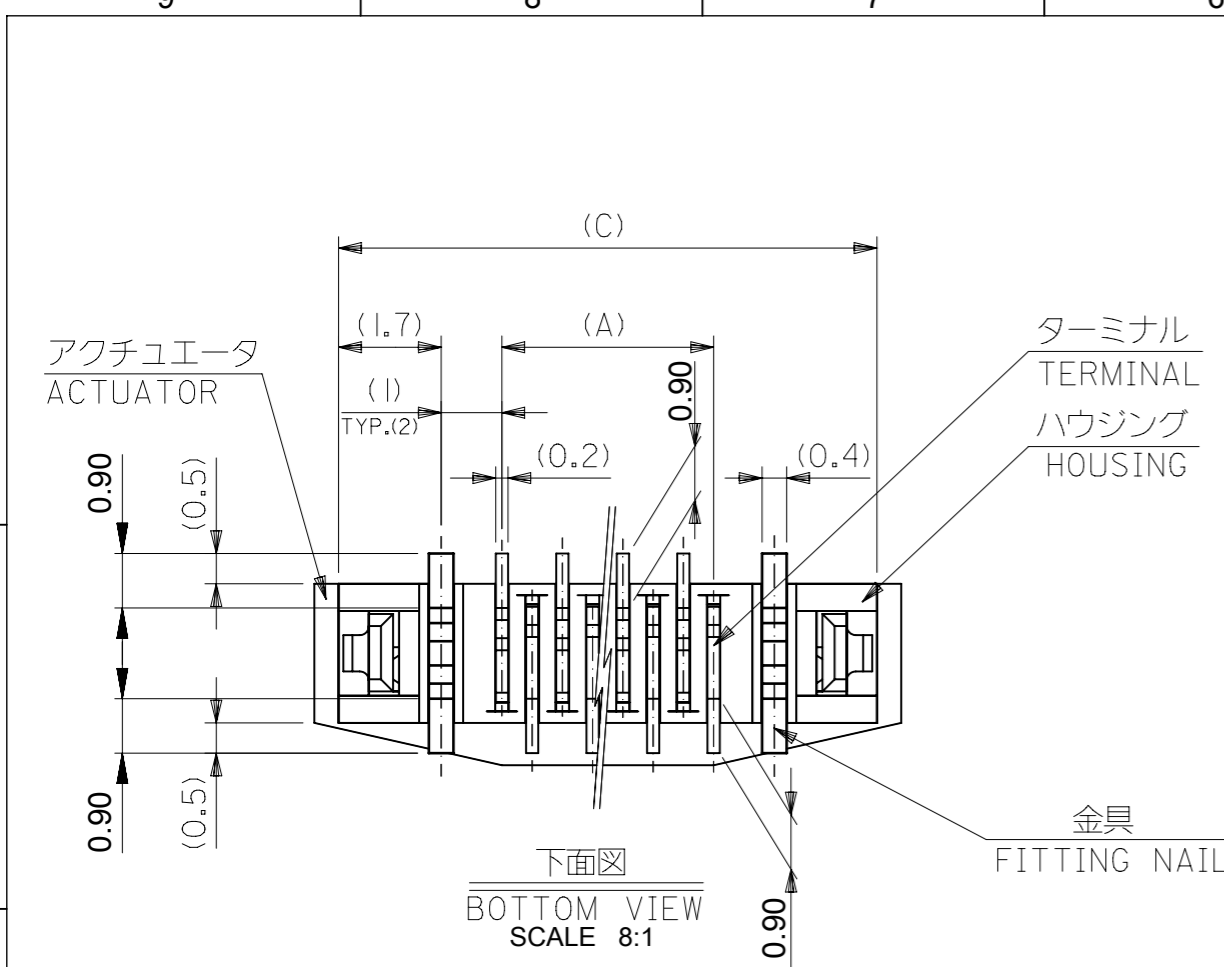
- 2.エンボステープ梱包時はアクチュエータがロックした状態とする。
IN THE PACKAGE, ACTUATOR OF PART NO.52559-**79 SHOULD BE LOCKED.
- △3 ソルダータール半田付け面のズレ量、および金具半田付け面のズレ量は基準面 G に対し上方向 0.05MAXIMUM、下方向 0.15MAXIMUMとする。
MISALIGNMENT OF SOLDER TAILS AND FITTING NAILS FROM DATUM-G UPPER DIRECTION : 0.05MAXIMUM, LOWER DIRECTION : 0.15 MAXIMUM.
- △4 偶数極に適用。
APPLY FOR EVEN CIRCUIT.
- △5 パターンはく離止め金具。
FITTING NAIL FOR PREVENTION OF PEELING OF P.W.BOARD PATTERN.
- △6 R0.3は、FPCの導体部にかからないこと
R0.3 MUST NOT BE OVERLAPPED TO PATTERN OF FPC.



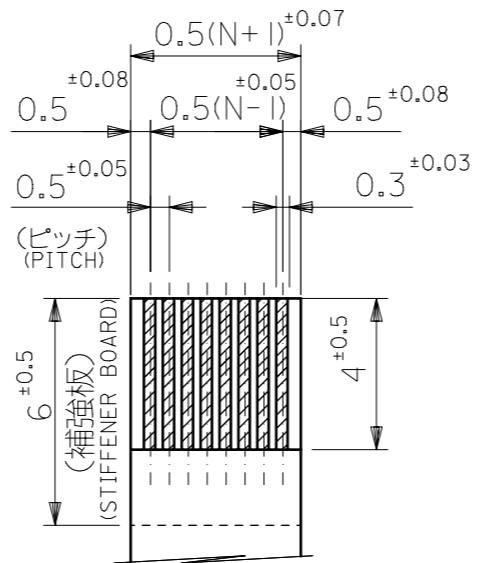
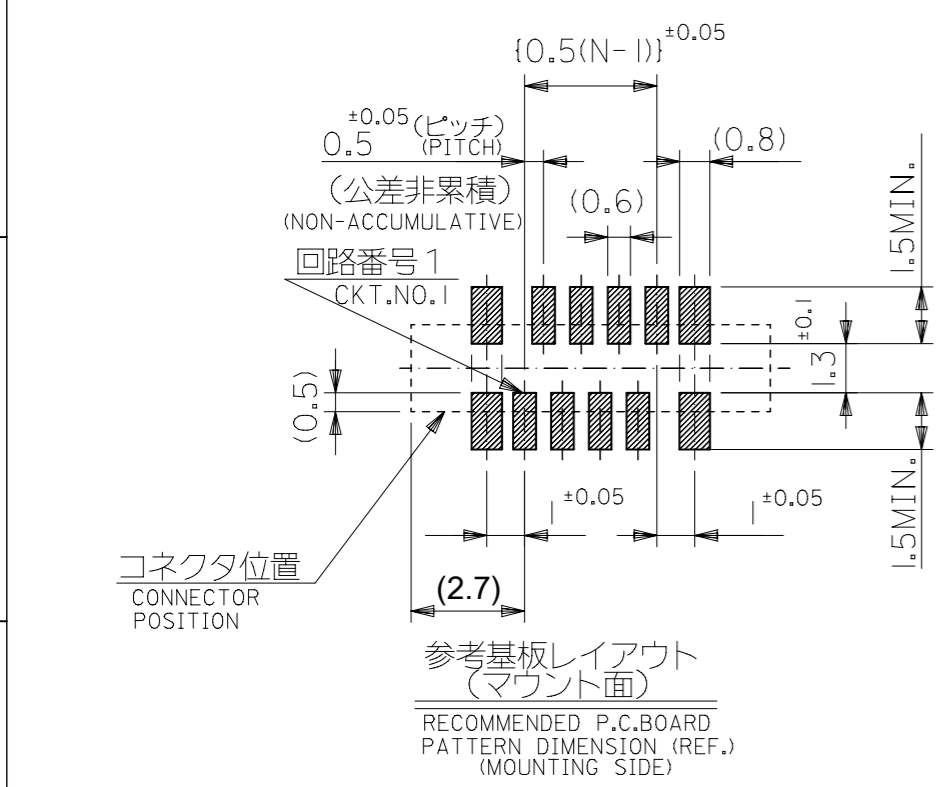
25.7	24.9	20.65	19.5	52559-4052	40
23.7	22.9	18.65	17.5	52559-3652	36
21.7	20.9	16.65	15.5	52559-3252	32
20.7	19.9	15.65	14.5	52559-3052	30
19.7	18.9	14.65	13.5	52559-2852	28
19.2	18.4	14.15	13.0	52559-2752	27
18.7	17.9	13.65	12.5	52559-2652	26
17.7	16.9	12.65	11.5	52559-2452	24
17.2	16.4	12.15	11.0	52559-2352	23
16.2	15.4	11.15	10.0	52559-2152	21
15.7	14.9	10.65	9.5	52559-2052	20
14.2	13.4	9.15	8.0	52559-1752	17
13.7	12.9	8.65	7.5	52559-1652	16
13.2	12.4	8.15	7.0	52559-1552	15
12.7	11.9	7.65	6.5	52559-1452	14
11.7	10.9	6.65	5.5	52559-1252	12
10.7	9.90	5.65	4.5	52559-1052	10
10.2	9.40	5.15	4.0	52559-0952	9
8.70	7.90	3.65	2.5	52559-0652	6
D	C	B	(A)	ORDER No.	CKT.

THIS DRAWING CONTAINS INFORMATION THAT IS PROPRIETARY TO MOLEX ELECTRONIC TECHNOLOGIES, LLC AND SHOULD NOT BE USED WITHOUT WRITTEN PERMISSION

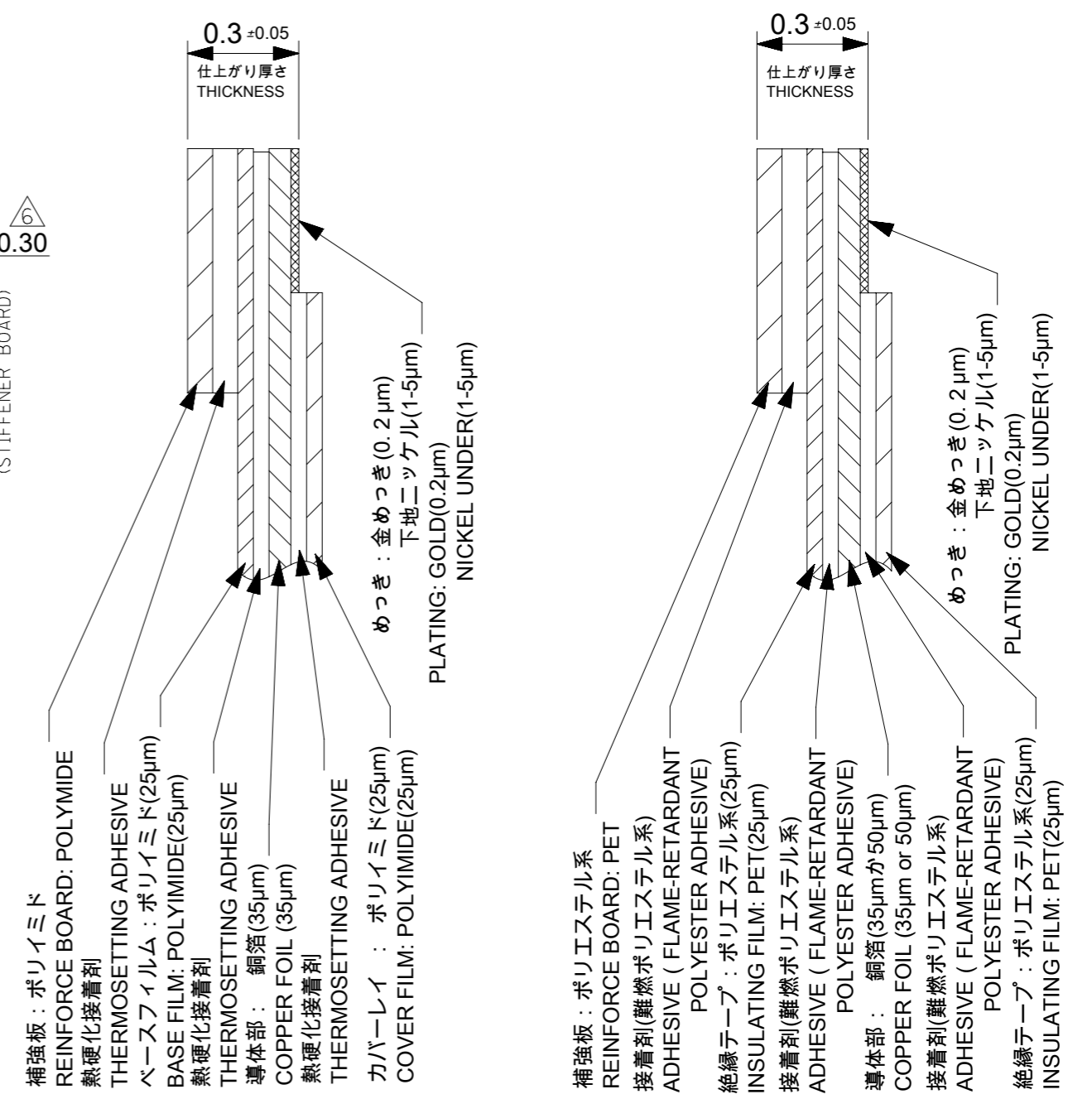
DIMENSION UNITS	SCALE	CURRENT REV DESC:		molex		
mm	10:1					
GENERAL TOLERANCES (UNLESS SPECIFIED)		EC NO: 176518		0.5 FPC CONN ASSY ZIF FOR SMT EMBSTP PKG -LEAD FREE-		
ANGULAR TOL	± 3.0 °	DRWN: TNAKAGAWA01	2018/05/09			
4 PLACES	± 0.2	CHK'D: RTAKEUCHI	2018/05/14			
3 PLACES	± 0.2	APPR: RTAKEUCHI	2018/05/14			
2 PLACES	± 0.2	INITIAL REVISION:		PRODUCT CUSTOMER DRAWING		
1 PLACE	± 0.25	DRWN: MNABEI	2004/07/14	DOCUMENT NUMBER	DOC TYPE	DOC PART
0 PLACES	± 0.3	APPR: NUKITA	2004/07/14	SD-52559-049	PSD	001
DRAFT WHERE APPLICABLE MUST REMAIN WITHIN DIMENSIONS		THIRD ANGLE PROJECTION	DRAWING	SERIES	MATERIAL NUMBER	CUSTOMER
			A3-SIZE	52559	SEE TABLE	GENERAL MARKET
						REVISION
						L
						SHEET NUMBER
						1 OF 6



適合FPC推奨寸法
APPLICABLE FPC
RECOMMENDED DIMENSION.
(仕上がり厚さ: 0.3^{±0.05})
(THICKNESS: 0.3^{±0.05})



適合FFC推奨寸法
APPLICABLE FFC
RECOMMENDED DIMENSION.
(仕上がり厚さ: 0.3^{±0.05})
(THICKNESS: 0.3^{±0.05})



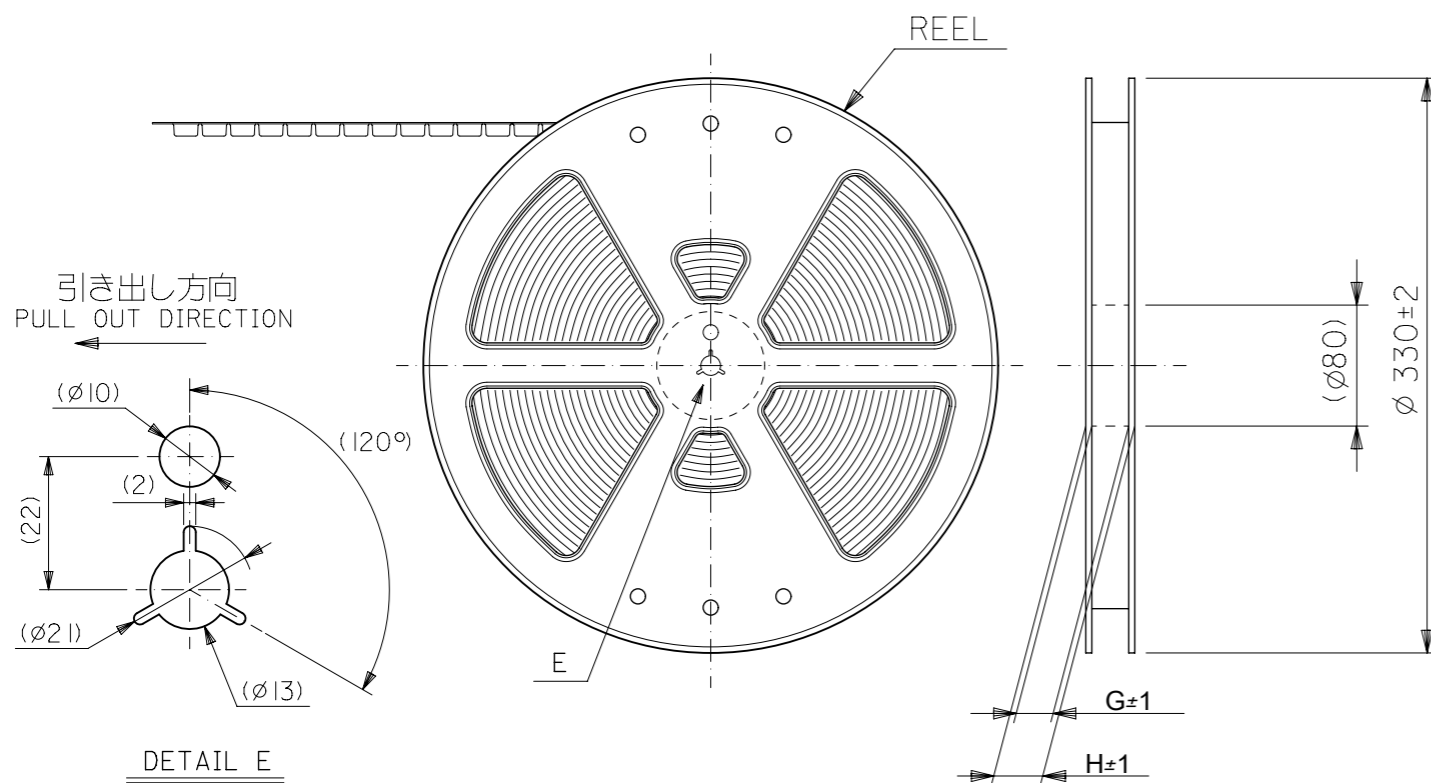
FPC構成推奨仕様
STRUCTURE OF FPC

FPCについて:
打抜き方向は導体側から補強板側を推奨致します。
補強フィルム材質はポリイミドを推奨致します。
接着剤は熱硬化接着剤を推奨致します。

ABOUT FPC:
RECOMMENDED PUNCHER DIRECTION: FROM CONDUCTOR SIDE TO STIFFENER BOARD SIDE.
RECOMMENDED MATERIAL:
STIFFENER FILM: POLYIMIDE
BONDING AGENT: THERMOSETTING BONDING AGENT

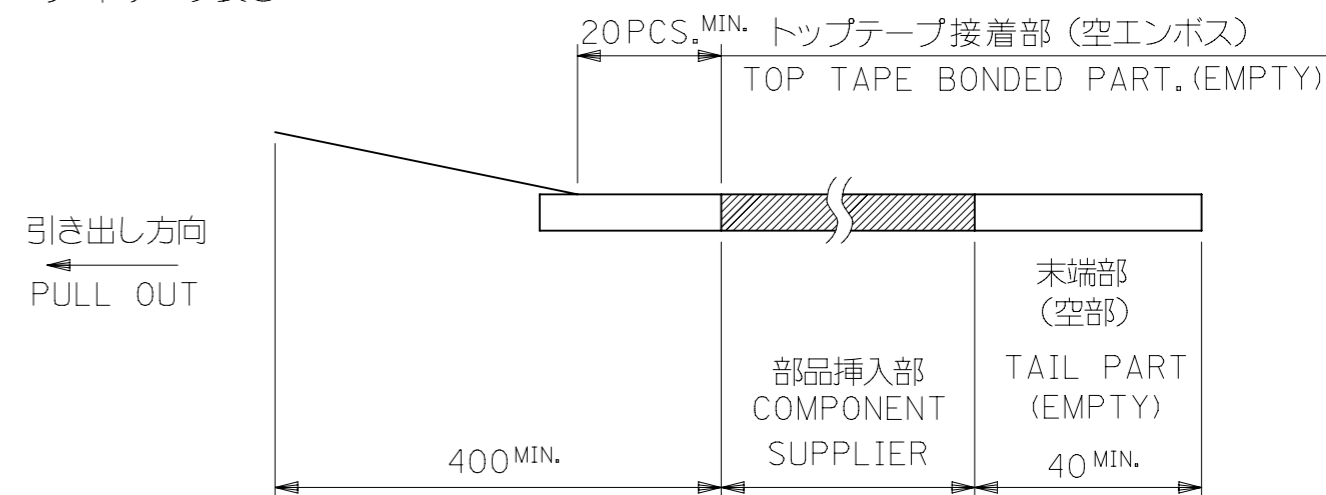
FFC構成推奨仕様
STRUCTURE OF FFC

THIS DRAWING CONTAINS INFORMATION THAT IS PROPRIETARY TO MOLEX ELECTRONIC TECHNOLOGIES, LLC AND SHOULD NOT BE USED WITHOUT WRITTEN PERMISSION									
DIMENSION UNITS		SCALE		CURRENT REV DESC:					
mm		5:1		<p>molex</p> <p>0.5 FPC CONN ASSY ZIF FOR SMT EMBSTP PKG -LEAD FREE-</p> <p>PRODUCT CUSTOMER DRAWING</p> <p>DOCUMENT NUMBER: SD-52559-049</p> <p>DOC TYPE: PSD</p> <p>DOC PART: 001</p> <p>REVISION: L</p> <p>SHEET NUMBER: 2 OF 6</p>					
GENERAL TOLERANCES (UNLESS SPECIFIED)									
ANGULAR TOL ± 3.0°									
4 PLACES ± 0.2									
3 PLACES ± 0.2									
2 PLACES ± 0.2									
1 PLACE ± 0.25									
0 PLACES ± 0.3									
DRAFT WHERE APPLICABLE MUST REMAIN WITHIN DIMENSIONS				THIRD ANGLE PROJECTION		DRAWING		SERIES	
DOCUMENT STATUS		P1		RELEASE DATE		2018/05/14		04:50:40	

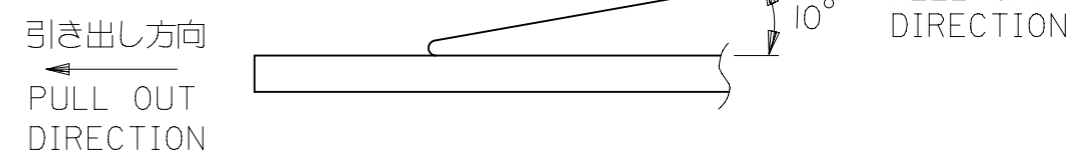


注記 NOTES

1. 梱包状態はアクチュエータがロックした状態とする。
IN THE PACKAGE, ACTUATOR SHOULD BE LOCKED.
2. 梱包数量：1000個/リール
NUMBER OF CONNECTORS: 1000PCS/REEL
3. リードテープ長さ LEAD TAPE LENGTH



4. トップテープの剥離強度：(剥離方向は下図参照)
0. 1N~1.3N {10gf~130gf} 尚、本規格値は、出荷時に適用。
(但し、輸送時に剥離が発生しない事。)
PEELING OFF FORCE OF TOP TAPE
0.1N~1.3N(10gf~130gf)(PEELING DIRECTION AS SHOWN IN FOLLOWING FIG.)
THIS REQUIREMENT SHOULD BE APPLIED AT SHIPMENT
PEEL OFF SHOULD NOT BE ALLOWED,
DURING TRANSPORTATION



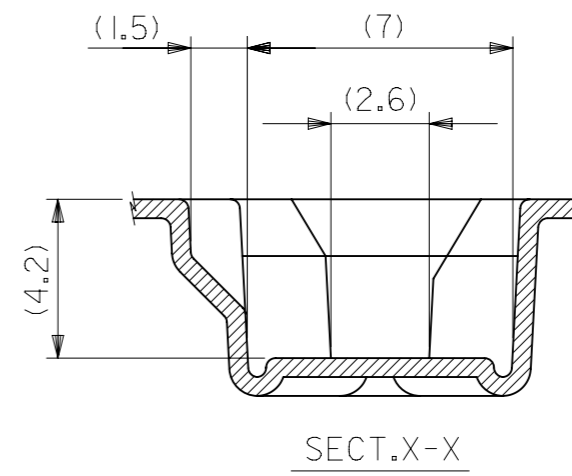
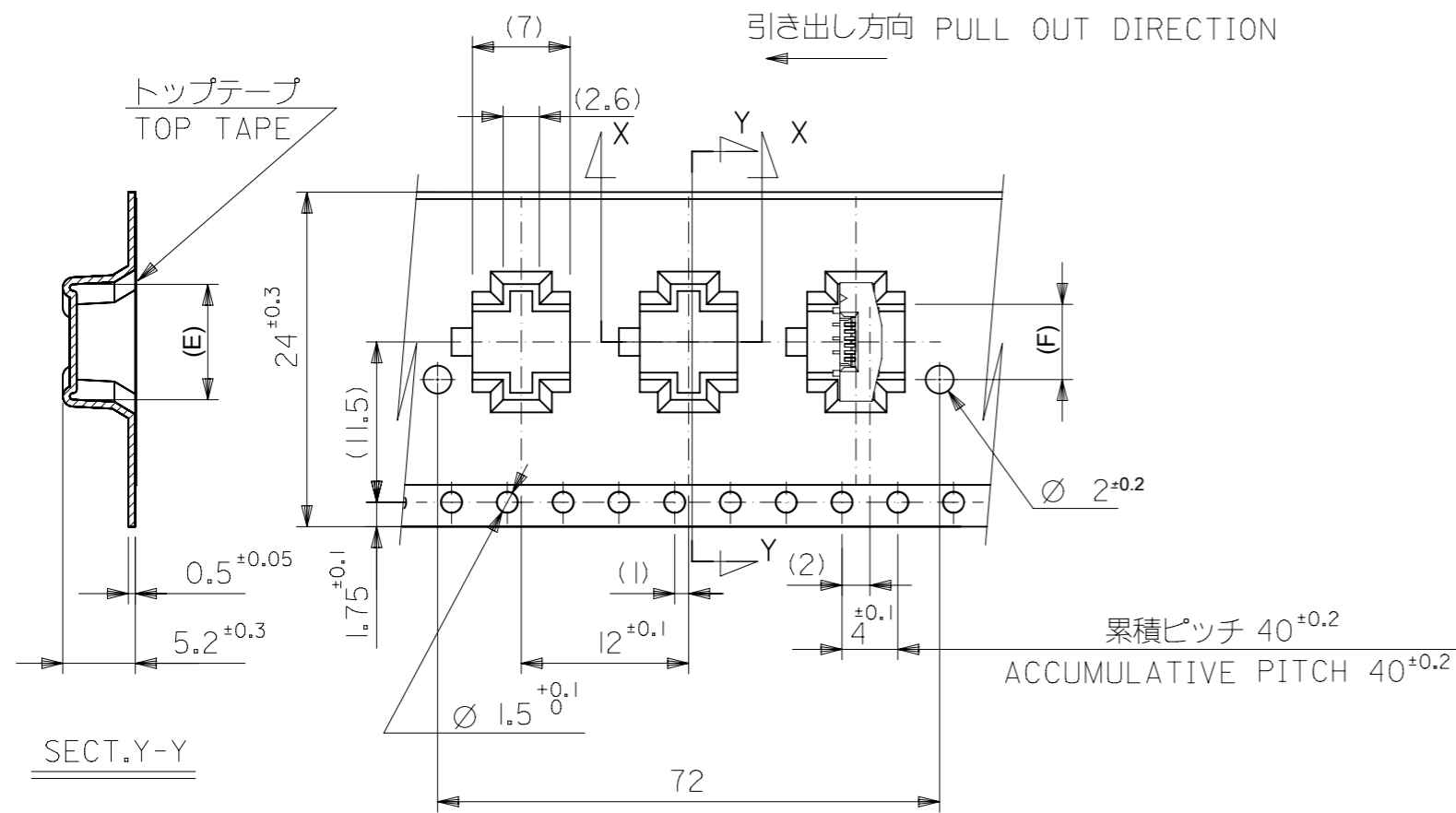
5. 材料 キャリアテープ：ポリプロピレン (PP)
トップテープ：PET, PE, PEF
リール：ポリスチレン (PS) <リサイクル材を含む>

MATERIAL CARRIER TAPE: POLYPROPYLENE
TOP TAPE: PET, PE, PEF
REEL: POLYSTYRENE (PS)
<RECYCLE MATERIAL CONTAINED>

6. 本製品は52559-**53のエンボステープ違い品である。
THIS PRODUCT IS EMBOSSED TAPE DIFFERENCE ARTICLE OF 52559-**53.

7. 本製品は乾燥剤入り、ハイバリア梱包仕様である。
THIS PRODUCT IS HIGH BARRIER PACKAGE WITH DESICCANT.

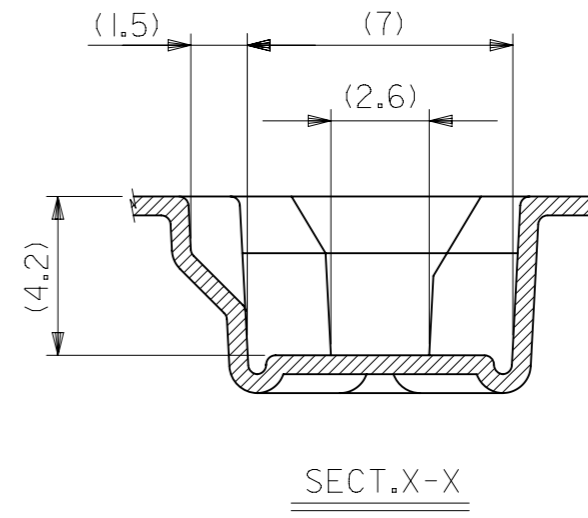
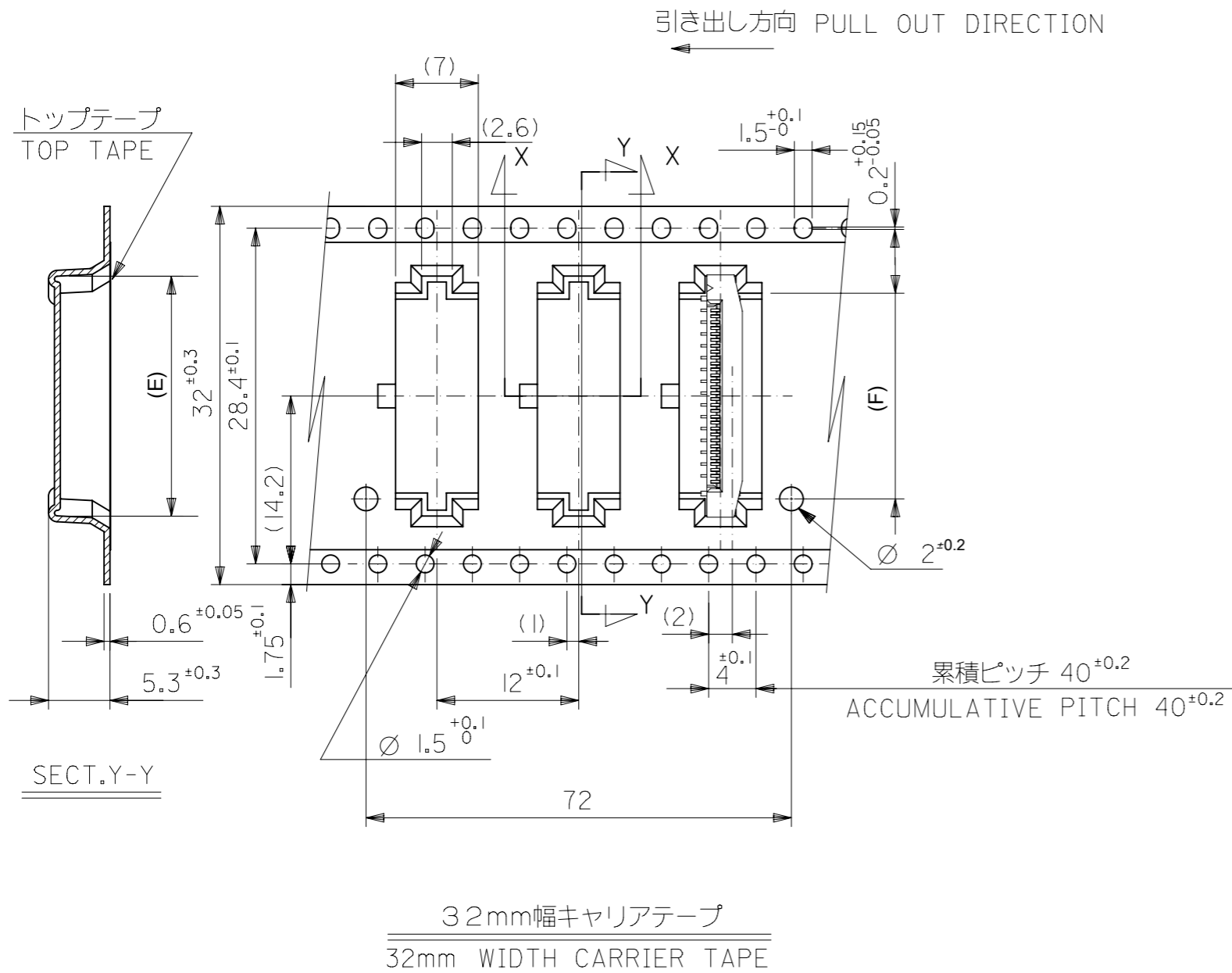
THIS DRAWING CONTAINS INFORMATION THAT IS PROPRIETARY TO MOLEX ELECTRONIC TECHNOLOGIES, LLC AND SHOULD NOT BE USED WITHOUT WRITTEN PERMISSION									
DIMENSION UNITS		SCALE		CURRENT REV DESC:				molex	
mm		±							
GENERAL TOLERANCES (UNLESS SPECIFIED)									
ANGULAR TOL		± 3.0°		EC NO: 176518		2018/05/09		0.5 FPC CONN ASSY ZIF	
4 PLACES		± 0.2		DRWN: TNAKAGAWA01		2018/05/09		FOR SMT EMBSTP PKG -LEAD FREE-	
3 PLACES		± 0.2		CHK'D: RTAKEUCHI		2018/05/14		PRODUCT CUSTOMER DRAWING	
2 PLACES		± 0.2		APPR: RTAKEUCHI		2018/05/14		DOCUMENT NUMBER	
1 PLACE		± 0.25		INITIAL REVISION:		2004/07/14		SD-52559-049	
0 PLACES		± 0.3		DRWN: MNABEI		2004/07/14		DOC TYPE	
DRAFT WHERE APPLICABLE MUST REMAIN WITHIN DIMENSIONS		THIRD ANGLE PROJECTION		DRAWING		SERIES		MATERIAL NUMBER	
		A3-SIZE		52559		SEE SHEET 4-6		CUSTOMER	
								GENERAL MARKET	
								DOC PART	
								001	
								REVISION	
								L	
								SHEET NUMBER	
								3 OF 6	



24mm幅キャリアテープ
24mm WIDTH CARRIER TAPE

24	29.4	25.4	14.4	17.3	52559-2452	24		
			13.9	16.8	52559-2352	23		
			12.9	15.8	52559-2152	21		
			12.4	15.3	52559-2052	20		
			10.9	13.8	52559-1752	17		
			10.4	13.3	52559-1652	16		
			9.9	12.8	52559-1552	15		
			9.4	12.3	52559-1452	14		
			8.4	11.3	52559-1252	12		
			7.4	10.3	52559-1052	10		
			6.9	9.8	52559-0952	9		
			5.4	8.3	52559-0652	6		
CARRIER TAPE WIDTH			H	G	(F)	(E)	ORDER No.	CKT.

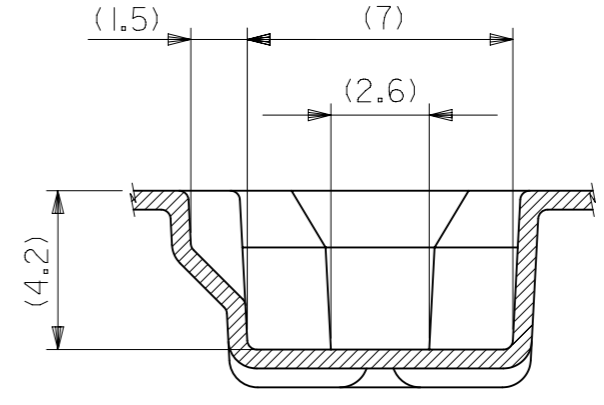
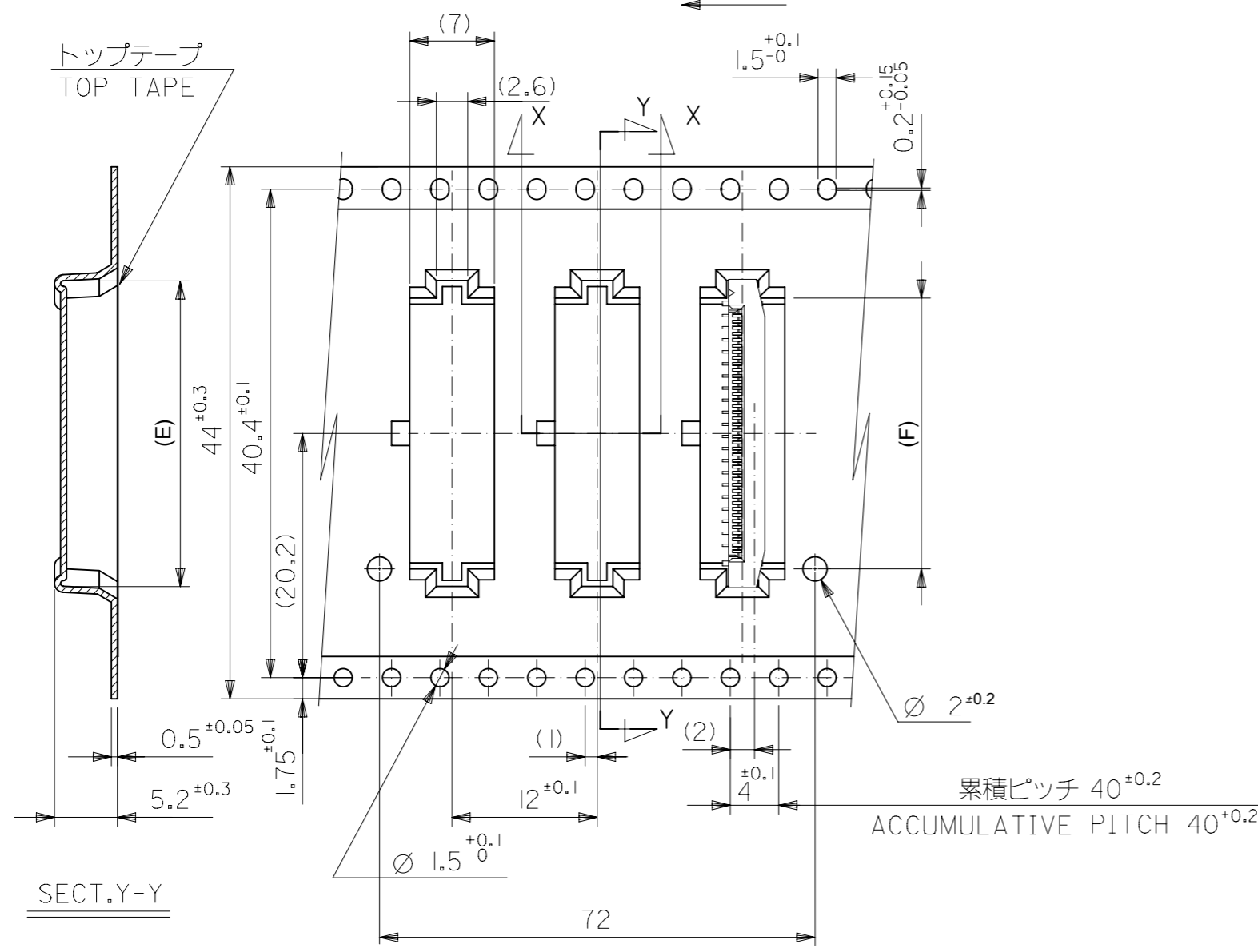
THIS DRAWING CONTAINS INFORMATION THAT IS PROPRIETARY TO MOLEX ELECTRONIC TECHNOLOGIES, LLC AND SHOULD NOT BE USED WITHOUT WRITTEN PERMISSION		CURRENT REV DESC:		molex			
DIMENSION UNITS	SCALE	EC NO: 176518					
mm	±±	DRWN: TNAKAGAWA01 2018/05/09		PRODUCT CUSTOMER DRAWING			
GENERAL TOLERANCES (UNLESS SPECIFIED)		CHK'D: RTAKEUCHI 2018/05/14		DOCUMENT NUMBER			
ANGULAR TOL	± 3.0 °	APPR: RTAKEUCHI 2018/05/14		SD-52559-049			
4 PLACES	± 0.2	INITIAL REVISION:		DOC TYPE	DOC PART		
3 PLACES	± 0.2	DRWN: MNABEI 2004/07/14		PSD	001		
2 PLACES	± 0.2	APPR: NUKITA 2004/07/14		REVISION	L		
1 PLACE	± 0.25	DRAFT WHERE APPLICABLE MUST REMAIN WITHIN DIMENSIONS		MATERIAL NUMBER	CUSTOMER		
0 PLACES	± 0.3	THIRD ANGLE PROJECTION	DRAWING	SEE TABLE	GENERAL MARKET		
			A3-SIZE	SHEET NUMBER	4 OF 6		
			SERIES				
			52559				



32	37.4	33.4	18.4	21.3	52559-3252	32		
			17.4	20.3	52559-3052	30		
			16.4	19.3	52559-2852	28		
			15.9	18.8	52559-2752	27		
			15.4	18.3	52559-2652	26		
CARRIER TAPE WIDTH			H	G	(F)	(E)	ORDER No.	CKT.

THIS DRAWING CONTAINS INFORMATION THAT IS PROPRIETARY TO MOLEX ELECTRONIC TECHNOLOGIES, LLC AND SHOULD NOT BE USED WITHOUT WRITTEN PERMISSION									
DIMENSION UNITS mm		SCALE 1:1		CURRENT REV DESC:				molex	
GENERAL TOLERANCES (UNLESS SPECIFIED)		ANGULAR TOL ± 3.0°		EC NO: 176518					
4 PLACES ± 0.2		3 PLACES ± 0.2		DRWN: TNAKAGAWA01		2018/05/09		0.5 FPC CONN ASSY ZIF FOR SMT EMBSTP PKG -LEAD FREE-	
2 PLACES ± 0.2		1 PLACE ± 0.25		CHK'D: RTAKEUCHI		2018/05/14		PRODUCT CUSTOMER DRAWING	
0 PLACES ± 0.3		DRAFT WHERE APPLICABLE MUST REMAIN WITHIN DIMENSIONS		APPR: RTAKEUCHI		2018/05/14		INITIAL REVISION:	
THIRD ANGLE PROJECTION		DRAWING		DRWN: MNABEI		2004/07/14		DOCUMENT NUMBER	
A3-SIZE		SERIES		APPR: NUKITA		2004/07/14		SD-52559-049	
MATERIAL NUMBER		CUSTOMER		SEE TABLE		GENERAL MARKET		DOC TYPE DOC PART REVISION	
PSD		001		L		5 OF 6		SHEET NUMBER	

引き出し方向 PULL OUT DIRECTION



44mm幅キャリアテープ
44mm WIDTH CARRIER TAPE

累積ピッチ 40±0.2
ACCUMULATIVE PITCH 40±0.2

44	49.4	45.4	22.4	25.3	52559-4052	40
			20.4	23.3	52559-3652	36
CARRIER TAPE WIDTH			H	G	(F)	(E)
					ORDER No.	CKT.

THIS DRAWING CONTAINS INFORMATION THAT IS PROPRIETARY TO MOLEX ELECTRONIC TECHNOLOGIES, LLC AND SHOULD NOT BE USED WITHOUT WRITTEN PERMISSION						
DIMENSION UNITS	SCALE	CURRENT REV DESC:				
mm	±±	<p>molex</p> <p>0.5 FPC CONN ASSY ZIF FOR SMT EMBSTP PKG -LEAD FREE-</p> <p>PRODUCT CUSTOMER DRAWING</p>				
GENERAL TOLERANCES (UNLESS SPECIFIED)						
ANGULAR TOL	± 3.0°					
4 PLACES	± 0.2					
3 PLACES	± 0.2					
2 PLACES	± 0.2	INITIAL REVISION:			DOCUMENT NUMBER	DOC TYPE
1 PLACE	± 0.25	DRWN: MNABEI 2004/07/14			SD-52559-049	PSD
0 PLACES	± 0.3	APPR: NUKITA 2004/07/14			001	L
DRAFT WHERE APPLICABLE MUST REMAIN WITHIN DIMENSIONS		THIRD ANGLE PROJECTION	DRAWING	SERIES	MATERIAL NUMBER	CUSTOMER
			A3-SIZE	52559	SEE TABLE	GENERAL MARKET
						SHEET NUMBER
						6 OF 6

DOCUMENT STATUS	P1	RELEASE DATE	2018/05/14	04:50:40
-----------------	----	--------------	------------	----------

F

E

D

C

B

A

F

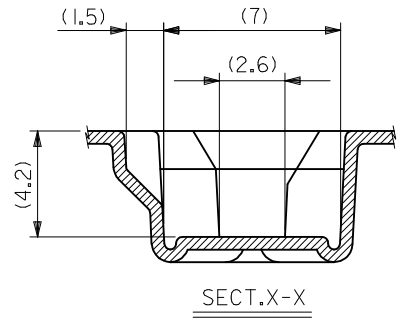
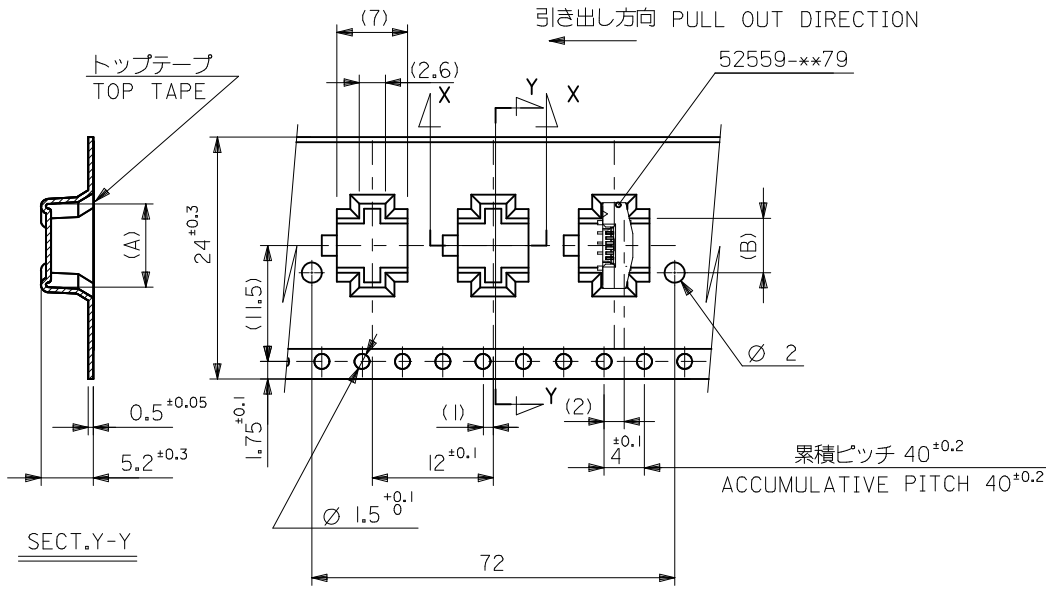
E

D

C

B

A

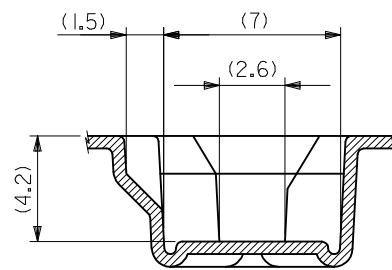
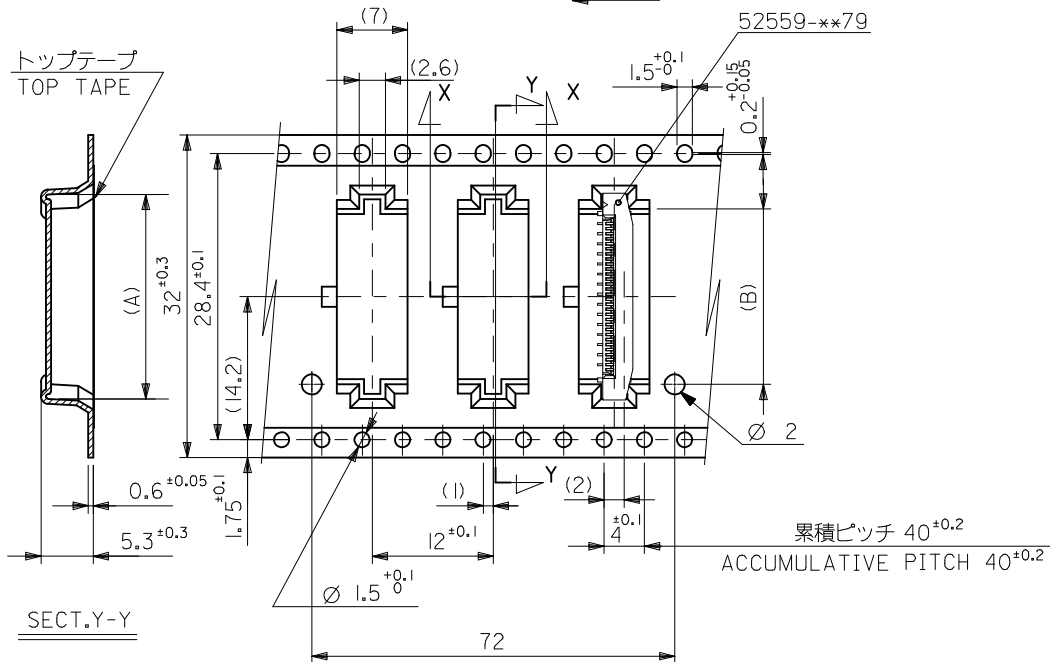


24mm幅キャリアテープ
24mm WIDTH CARRIER TAPE

24	29.4	25.4	(B)	(A)	52559-2452	24
			(B)	(A)	52559-2352	23
			(B)	(A)	52559-2152	21
			(B)	(A)	52559-2052	20
			(B)	(A)	52559-1752	17
			(B)	(A)	52559-1652	16
			(B)	(A)	52559-1552	15
			(B)	(A)	52559-1452	14
			(B)	(A)	52559-1252	12
			(B)	(A)	52559-1052	10
(B)	(A)	52559-0952	9			
(B)	(A)	52559-0652	6			

REVISED EC NO: J2016-0020 DRWN: YUHASHIGAWA 2015/07/06 CHKD: APPR: YNOGAWA 2015/07/10 K	GENERAL TOLERANCES (UNLESS SPECIFIED)		DIMENSION STYLE		SCALE	DESIGN UNITS		THIRD ANGLE PROJECTION	
	0.25 UNDER UNDER ±0.03		MM ONLY		---	METRIC		⊙ □	
	0.25 OVER 0.5 UNDER ±0.05		DRAWN BY		DATE	TITLE			
	0.5 OVER 1.0 UNDER ±0.1		MNABEI		'04/07/13	0.5 FPC CONN ASSY ZIF FOR SMT EMBSTP PKG -LEAD FREE-			
	1.0 OVER 10 UNDER ±0.2		CHECKED BY		DATE	molex DOCUMENT NO. SD-52559-049 SHEET NO. 2 OF 4			
10 OVER 30 UNDER ±0.25		KTOJO		'04/07/13					
30 OVER ±0.3		APPROVED BY		DATE	THIS DRAWING CONTAINS INFORMATION THAT IS PROPRIETARY TO MOLEX INCORPORATED AND SHOULD NOT BE USED WITHOUT WRITTEN PERMISSION				
ANGULAR ±3 °		NUKITA		'04/07/13					
DRAFT WHERE APPLICABLE MUST REMAIN WITHIN DIMENSIONS		MATERIAL NO.							
		SIZE							
		A3							

引き出し方向 PULL OUT DIRECTION



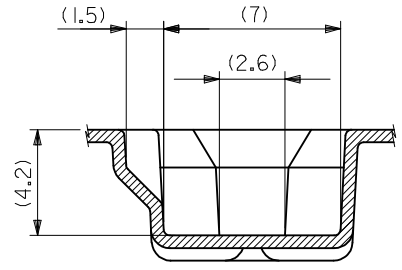
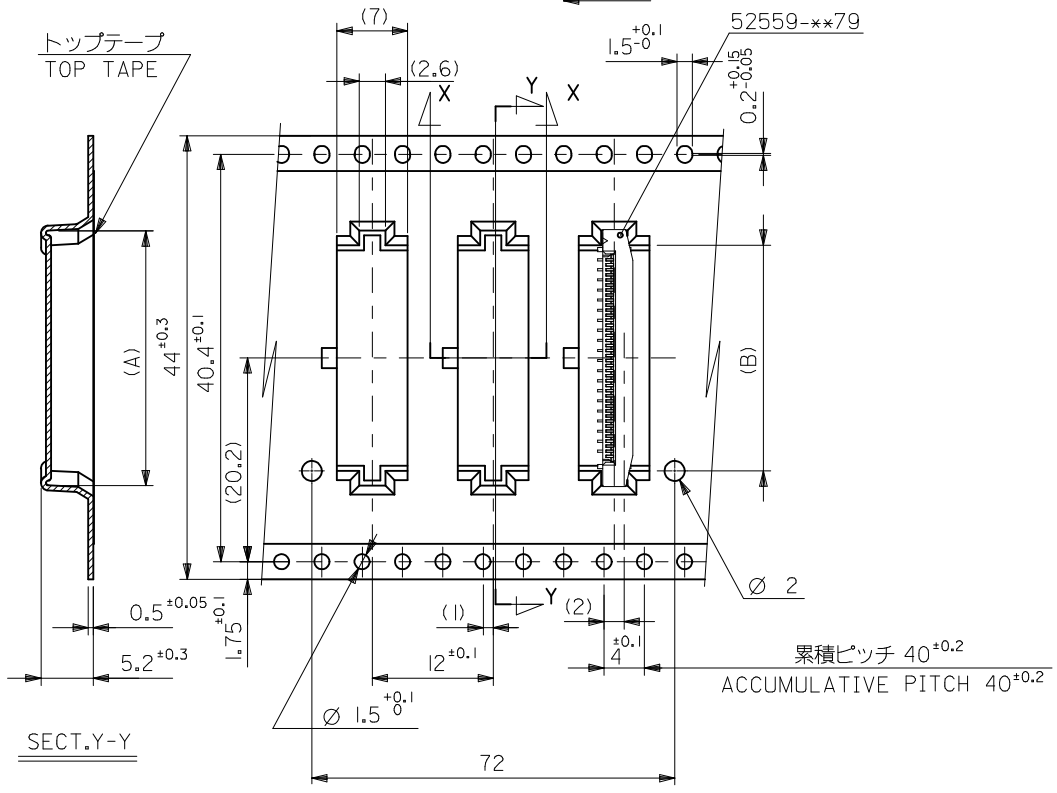
SECT.X-X

32mm幅キャリアテープ
32mm WIDTH CARRIER TAPE

32	37.4	33.4	18.4	21.3	52559-3252	32
			17.4	20.3	52559-3052	30
			16.4	19.3	52559-2852	28
			15.9	18.8	52559-2752	27
			15.4	18.3	52559-2652	26
キャリアテープ幅 CARRIER TAPE WIDTH	D	C	(B)	(A)	MATERIAL NO.	CIRCUIT NO.

REVISED EC NO: J2016-0020 DRWN: YUHASEGAWA 2015/07/16 CHKD: APPR: YNOGAWA 2015/07/10 K	GENERAL TOLERANCES (UNLESS SPECIFIED)	DIMENSION STYLE	SCALE	DESIGN UNITS	THIRD ANGLE PROJECTION
	0.25 UNDER UNDER ±0.03	MM ONLY	---	METRIC	☉
	0.25 OVER 0.5 UNDER ±0.05	DRAWN BY	DATE	TITLE	
	0.5 OVER 1.0 UNDER ±0.1	MNABEI	'04/07/13	0.5 FPC CONN ASSY ZIF FOR SMT EMBSTP PKG -LEAD FREE-	
	1.0 OVER 10 UNDER ±0.2	CHECKED BY	DATE	molex SD-52559-049	
	10 OVER 30 UNDER ±0.25	KTOJO	'04/07/13		
	30 OVER ±0.3	APPROVED BY	DATE	DOCUMENT NO.	SHEET NO.
	ANGULAR ±3 °	NUKITA	'04/07/13	SD-52559-049	3 OF 4
	DRAFT WHERE APPLICABLE MUST REMAIN WITHIN DIMENSIONS	MATERIAL NO.	SEE CHART	THIS DRAWING CONTAINS INFORMATION THAT IS PROPRIETARY TO MOLEX INCORPORATED AND SHOULD NOT BE USED WITHOUT WRITTEN PERMISSION	
		SIZE	A3		

引き出し方向 PULL OUT DIRECTION



SECT.Y-Y

SECT.X-X

44mm幅キャリアテープ
44mm WIDTH CARRIER TAPE

44	49.4	45.4	22.4	25.3	52559-4052	40
キャリアテープ幅 CARRIER TAPE WIDTH	D	C	(B)	(A)	52559-3652	36
					MATERIAL NO.	CIRCUIT NO.

REVISED EC NO: J2016-0020 DRWN: YUHASEGAWA 2015/07/06 CHKD: APPR: YNOGAWA 2015/07/10 K	GENERAL TOLERANCES (UNLESS SPECIFIED)		DIMENSION STYLE		SCALE	DESIGN UNITS	THIRD ANGLE PROJECTION
	0.25 UNDER UNDER ±0.03		MM ONLY		---	METRIC	☉ □
	0.25 OVER 0.5 UNDER ±0.05		DRAWN BY DATE		TITLE		
	0.5 OVER 1.0 UNDER ±0.1		MNABEI '04/07/13		0.5 FPC CONN ASSY ZIF FOR SMT EMBSTP PKG -LEAD FREE-		
	1.0 OVER 10 UNDER ±0.2		CHECKED BY DATE		molex		
30 OVER ±0.3		KTOJO '04/07/13		APPROVED BY DATE		DOCUMENT NO.	SHEET NO.
ANGULAR ±3 °		NUKITA '04/07/13		MATERIAL NO.		SD-52559-049	4 OF 4
DRAFT WHERE APPLICABLE MUST REMAIN WITHIN DIMENSIONS		SEE CHART		THIS DRAWING CONTAINS INFORMATION THAT IS PROPRIETARY TO MOLEX INCORPORATED AND SHOULD NOT BE USED WITHOUT WRITTEN PERMISSION			