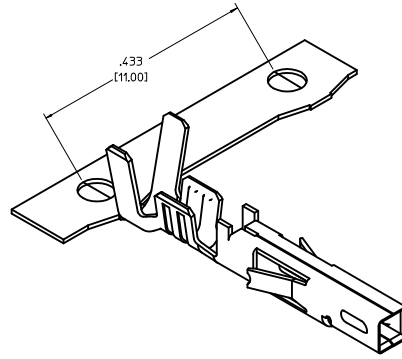
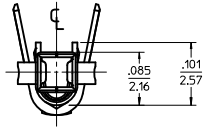
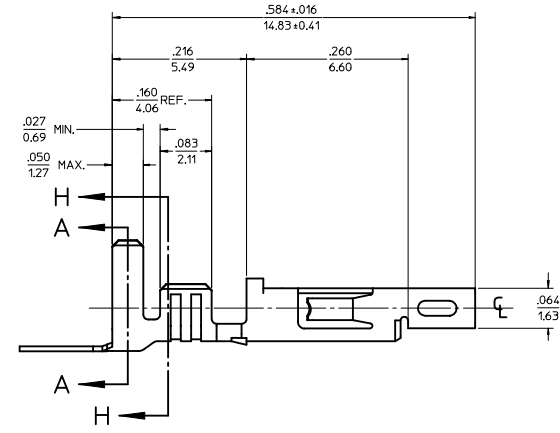
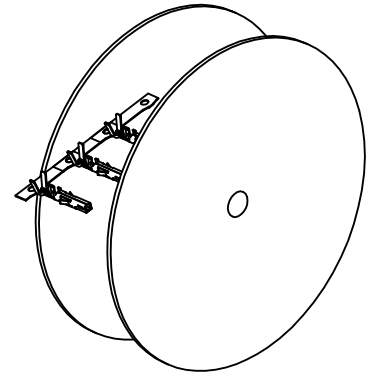
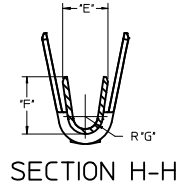
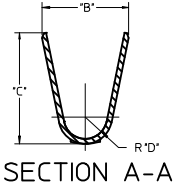
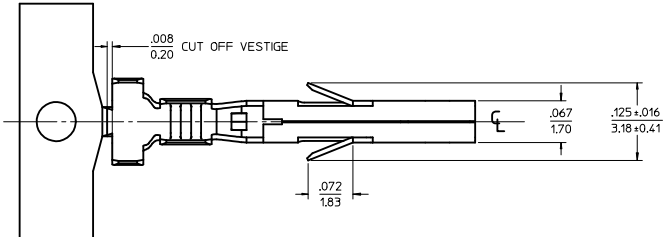
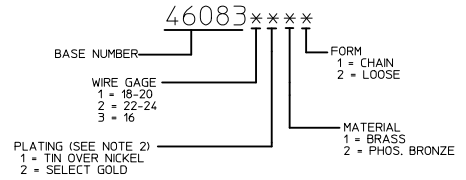


FORMED ITEM NO.	MATERIAL	PLATING	FORM	WIRE GAGE	DIM. 'B'	DIM. 'C'	DIM. 'D'	DIM. 'E'	DIM. 'F'	DIM. 'G'							
460832111	1		CHAIN	22-24	.091±.012	.091±.016	.024	.071±.012	.065±.012	.016							
460832112					LOOSE	(2.30±0.30)	(2.30±0.40)	(0.60)	(1.80±0.30)	(1.65±0.30)	(0.40)						
460831111					18-20	CHAIN	16	.142±.012	.177±.016	.035	.075±.012	.091±.012	.020				
460831112								LOOSE	(3.60±0.30)	(4.50±0.40)	(0.90)	(1.90±0.30)	(2.30±0.30)	(0.50)			
460833111								22-24	CHAIN	16	.091±.012	.091±.016	.024	.071±.012	.065±.012	.016	
460833112											LOOSE	(2.30±0.30)	(2.30±0.40)	(0.60)	(1.80±0.30)	(1.65±0.30)	(0.40)
460832121			2	CHAIN							18-20	.142±.012	.177±.016	.035	.075±.012	.091±.012	.020
460832122												LOOSE	(3.60±0.30)	(4.50±0.40)	(0.90)	(1.90±0.30)	(2.30±0.30)
460833121					22-24	CHAIN	16					.091±.012	.091±.016	.024	.071±.012	.065±.012	.016
460833122												LOOSE	(2.30±0.30)	(2.30±0.40)	(0.60)	(1.80±0.30)	(1.65±0.30)
460832211								1	CHAIN	18-20		.142±.012	.177±.016	.035	.075±.012	.091±.012	.020
460832212												LOOSE	(3.60±0.30)	(4.50±0.40)	(0.90)	(1.90±0.30)	(2.30±0.30)
460833211	2	CHAIN	22-24	.091±.012							.091±.016	.024	.071±.012	.065±.012	.016		
460833212				LOOSE							(2.30±0.30)	(2.30±0.40)	(0.60)	(1.80±0.30)	(1.65±0.30)	(0.40)	
460831211				18-20	CHAIN	16	.142±.012				.177±.016	.035	.075±.012	.091±.012	.020		
460831212							LOOSE				(3.60±0.30)	(4.50±0.40)	(0.90)	(1.90±0.30)	(2.30±0.30)	(0.50)	
460833211							22-24	CHAIN	16	.091±.012	.091±.016	.024	.071±.012	.065±.012	.016		
460833212										LOOSE	(2.30±0.30)	(2.30±0.40)	(0.60)	(1.80±0.30)	(1.65±0.30)	(0.40)	



- NOTES:**
- MATERIAL:
 - BRASS .0080/(0.203) THICK
 - PHOS. BRONZE .0080/(0.203) THICK
 - FINISH:
 - .000100/(0.00254) MIN. BRIGHT TIN OVER .000050/(0.00127) MIN NICKEL OVERALL.
 - .000030/(0.00076) MIN. SELECT GOLD IN CONTACT AREA AND .000100/(0.00254) MIN. SELECT MATTE TIN IN CRIMP AREA OVER .000050/(0.00127) MIN. NICKEL OVERALL. GOLD PLATING RECOMMENDED FOR APPLICATIONS WHERE FRETTING CORROSION IS A CONCERN.
 - PRODUCT SPECIFICATION: PS-46083-001 (JR), PS-46083-002 (BM), PS-46083-003 (TPA)
 - PACKAGING SPECIFICATION: PK-46083-001 FOR CHAIN TERMINALS, PK-5556-003 FOR LOOSE TERMINALS.
 - TERMINAL FOR USE WITH 5557, 42474, 44516, 43760, AND 30067 SERIES HOUSINGS.
 - WHEN TERMINALS ARE INSTALLED IN THE HOUSING, THE WIRES ARE TO BE DRESSED IN SUCH A MANNER TO ALLOW THE TERMINALS TO FLOAT FREELY IN THE POCKET.
 - THIS TERMINAL IS DESIGNED FOR SINGLE WIRE CRIMPING.

LEGEND



RoHS COMPLIANT

ADDED PACKING NOTE EC NO: UCP2010-0471 DRAWN: JAGUILAR 2009/10/23 CHKD: BELL 2009/10/23 APPROVED: SMITH 2009/10/28	QUALITY SYMBOLS ▽=0 ▽=0	GENERAL TOLERANCES (UNLESS SPECIFIED)		DIMENSION STYLE IN/MM		SCALE 10:1		DESIGN UNITS INCH		THIRD ANGLE PROJECTION	
		4 PLACES ±.010 INCH 3 PLACES ±.010 INCH 2 PLACES ±0.25 INCH 1 PLACE ±0.36 INCH		mm INCH		DRAWN BY: T.GREGOR I DATE: 2005/08/29		CHECKED BY: J.COMERCI DATE:		TITLE: FEMALE CRIMP TERMINAL, MINI-FIT PLUS SERIES	
		ANGULAR ±1/2°		APPROVED BY: J.COMERCI DATE:		MATERIAL NO. SEE CHART		DOCUMENT NO. SD-46083-001		MOLEX INCORPORATED	
		DRAFT WHERE APPLICABLE MUST REMAIN WITHIN DIMENSIONS		SIZE D		THIS DRAWING CONTAINS INFORMATION THAT IS PROPRIETARY TO MOLEX INCORPORATED AND SHOULD NOT BE USED WITHOUT WRITTEN PERMISSION		SHEET NO. 1 OF 1			