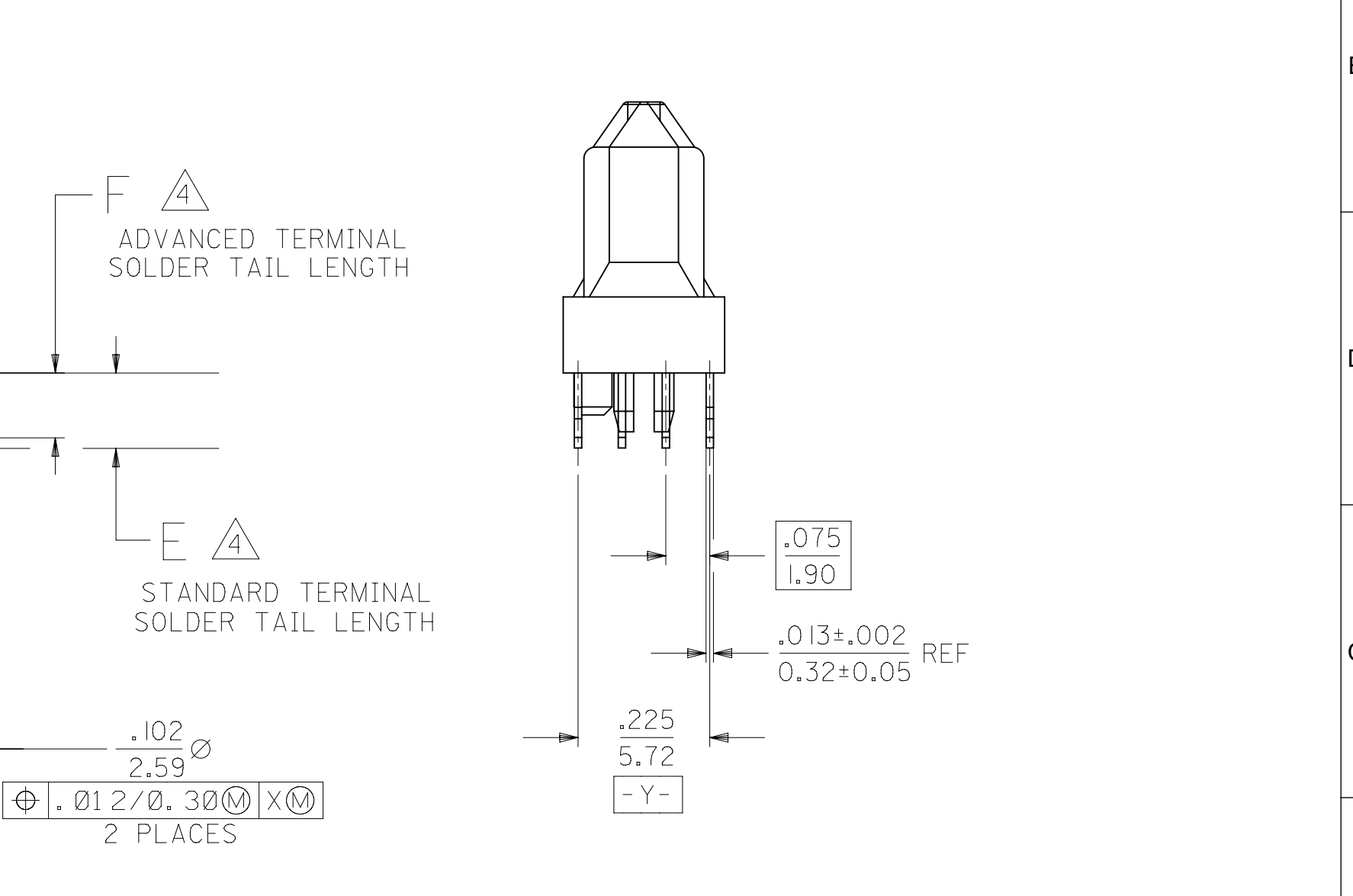
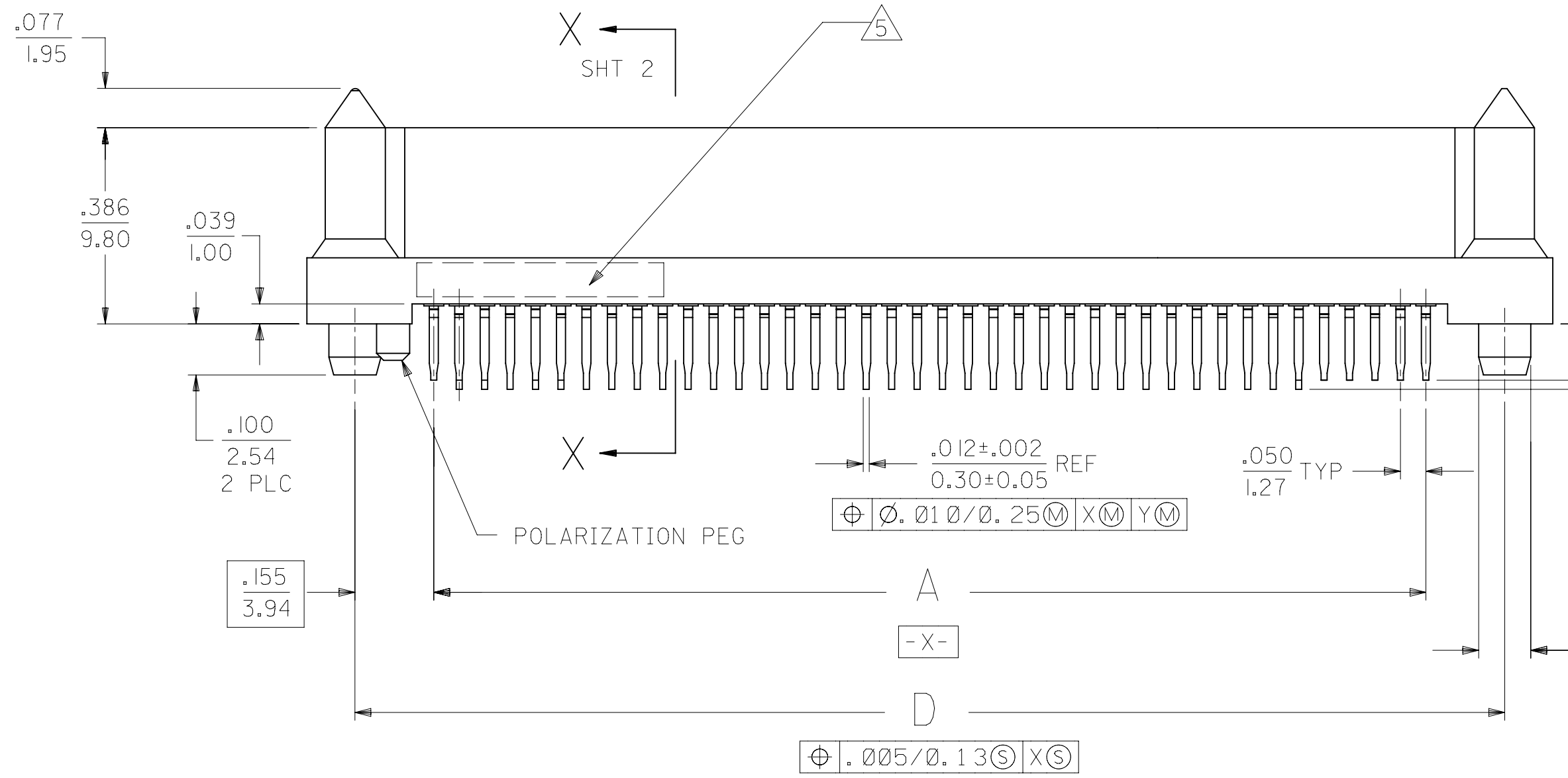
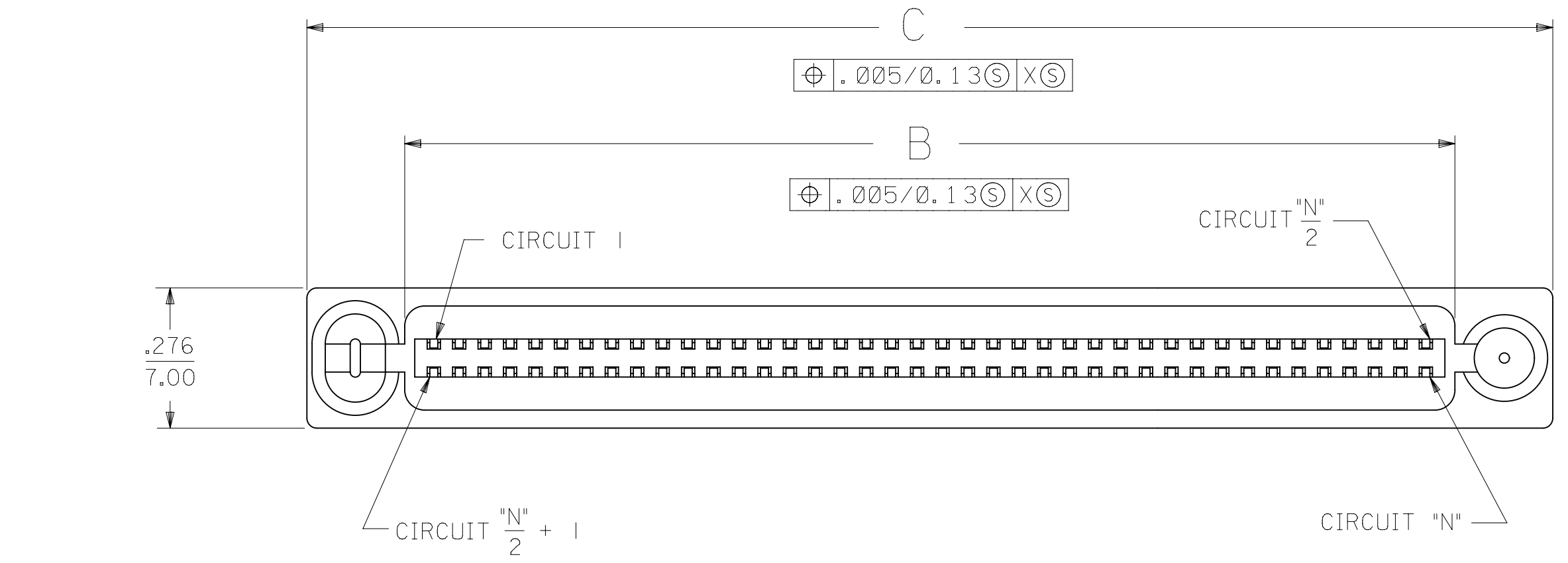


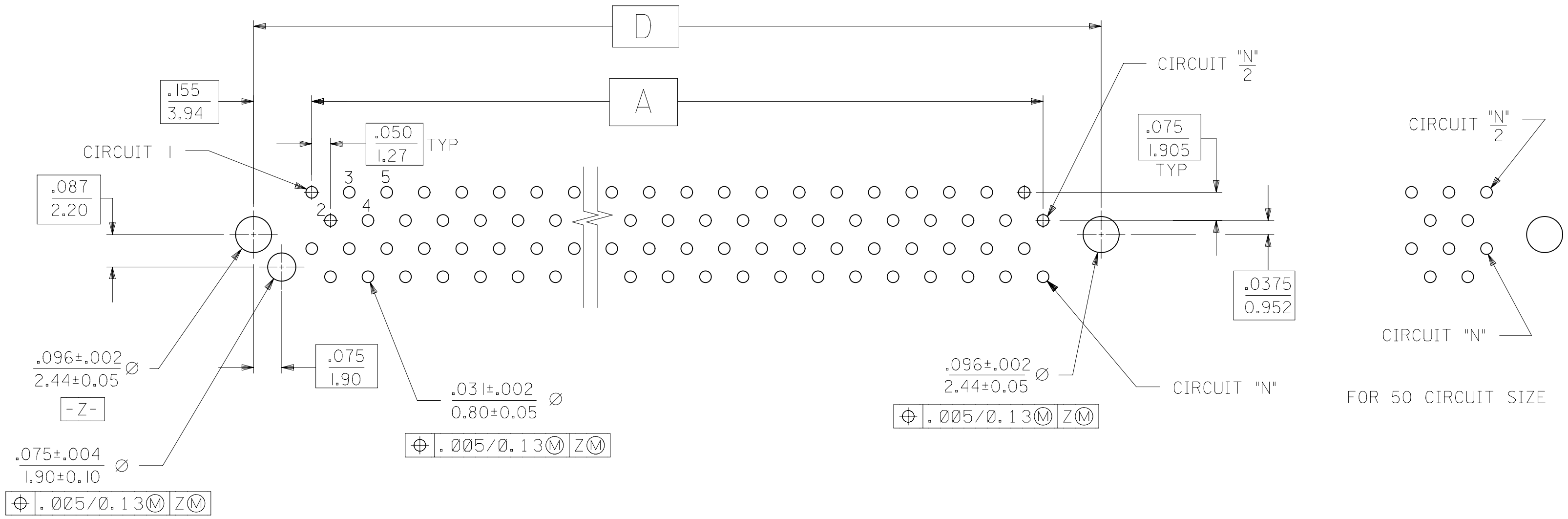
NOTES:

- 1) MATERIALS:
HOUSING- LCP, GLASS FILLED, UL94V-0, BLACK.
TERMINALS- COPPER ALLOY
- 2) FINISHES :
30 MICROINCH (0.72 MICROMETER) MINIMUM GOLD IN THE CONTACT AREA
50 MICROINCH (1.27 MICROMETER) MINIMUM MATTE TIN IN THE TAIL AREA
NICKEL UNDERPLATE OVERALL
- 3 ASSEMBLIES MATE WITH CONNECTORS SHOWN ON MOLEX DRAWING SDA-71661-7***
- 4 SEE TABLE ON SHEET 2 FOR ADVANCED TERMINAL LIST
- 5 FOUR DIGIT DATE CODE (WK YR), EXAMPLE => 26 96
LOCATED IN AREA INDICATED.
- 6 ASSEMBLIES MEET MOLEX PRODUCT SPECIFICATION PS-71660



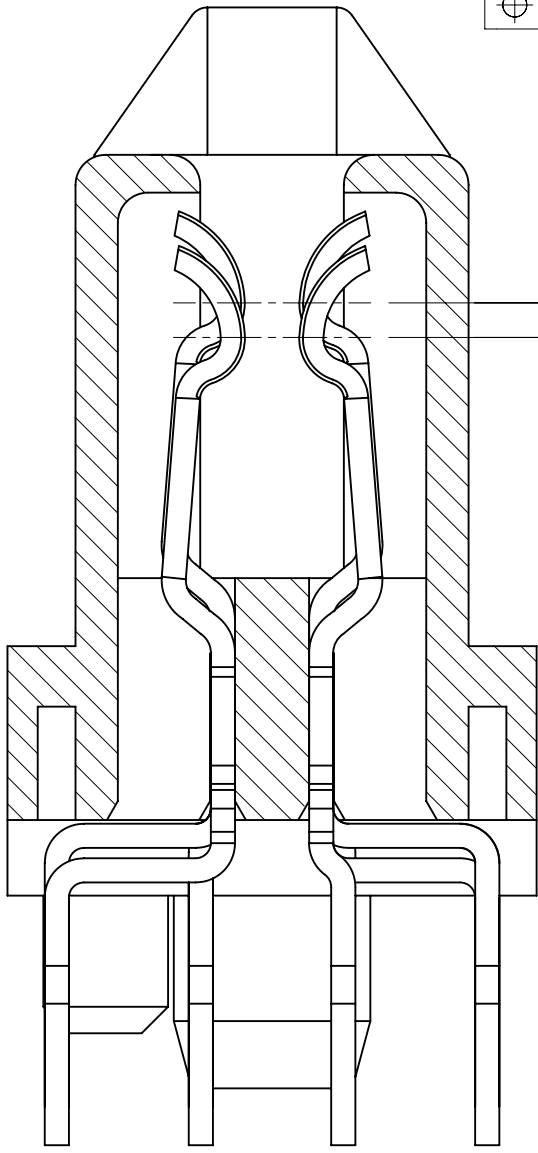
THIS DRAWING CONTAINS INFORMATION THAT IS PROPRIETARY TO MOLEX ELECTRONIC TECHNOLOGIES, LLC AND SHOULD NOT BE USED WITHOUT WRITTEN PERMISSION															
DIMENSION UNITS		SCALE		CURRENT REV DESC: OBSOLETE PART NUMBERS AS PER PCN#510806						molex					
IN/MM		NTS													
GENERAL TOLERANCES (UNLESS SPECIFIED)				EC NO: 733771		2023/01/18		SALES ASSY, EBBI 50D, VERTCL, BLIND MATE RCPT W/ ADVANCE TERMINALS							
4 PLACES		±		DRWN: ANIKES1		2023/02/24									
3 PLACES		±		CHK'D: GGA		2023/02/24		PRODUCT CUSTOMER DRAWING							
2 PLACES		±		APPR: GGA		2023/02/24									
1 PLACE		±		INITIAL REVISION:				DOCUMENT NUMBER							
0 PLACES		±		DRWN: BBARKER		2011/01/18									
ANGULAR TOL		± 0.5°		APPR: SMILLER		2011/05/09		SDA-71660-75XX		DOC TYPE	DOC PART	REVISION			
DRAFT WHERE APPLICABLE MUST REMAIN WITHIN DIMENSIONS				THIRD ANGLE PROJECTION		DRAWING		SERIES		MATERIAL NUMBER		CUSTOMER		SHEET NUMBER	
						C-SIZE		71660		SEE TABLE		GENERAL MARKET		1 OF 2	

ITEM NUMBER	CIRCUIT SIZE ("N")	A	B	C	D	E ±.010 (±0.25)	F ±.010 (±0.25)	ADVANCED CIRCUITS
71660-7501	68	1.650 (41.91)	1.765 (44.83)	2.149 (54.58)	1.960 (49.78)	.134 (3.40)	.116 (2.95)	5, 6, 39, 64, 66, 68



RECOMMENDED PC BOARD LAYOUT
COMPONENT SIDE

FOR 40, 68 AND 80 CIRCUIT SIZES



SECTION X-X
SCALE - 10:1

HOUSING WALLS BETWEEN TERMINALS
NOT SHOWN FOR CLARITY

.015 MINIMUM OFFSET BETWEEN
STANDARD AND ADVANCED TERMINALS

THIS DRAWING CONTAINS INFORMATION THAT IS PROPRIETARY TO MOLEX ELECTRONIC TECHNOLOGIES, LLC AND SHOULD NOT BE USED WITHOUT WRITTEN PERMISSION											
DIMENSION UNITS IN/MM		SCALE NTS		CURRENT REV DESC: OBSOLETE PART NUMBERS AS PER PCN#510806				molex			
GENERAL TOLERANCES (UNLESS SPECIFIED)				EC NO: 733771							
4 PLACES ±		±		DRWN: ANIKES1				2023/01/18			
3 PLACES ±		±		CHK'D: GGA				2023/02/24			
2 PLACES ±		±		APPR: GGA				2023/02/24			
1 PLACE ±		±		INITIAL REVISION:				PRODUCT CUSTOMER DRAWING			
0 PLACES ±		±		DRWN: BBARKER				DOCUMENT NUMBER			
ANGULAR TOL ± 0.5°				APPR: SMILLER				SDA-71660-75XX			
DRAFT WHERE APPLICABLE MUST REMAIN WITHIN DIMENSIONS		THIRD ANGLE PROJECTION		DRAWING		SERIES		MATERIAL NUMBER		CUSTOMER	
				C-SIZE		71660		SEE TABLE		GENERAL MARKET	
										SHEET NUMBER	
										2 OF 2	