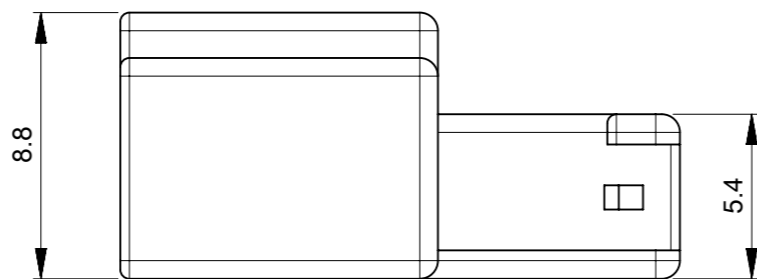
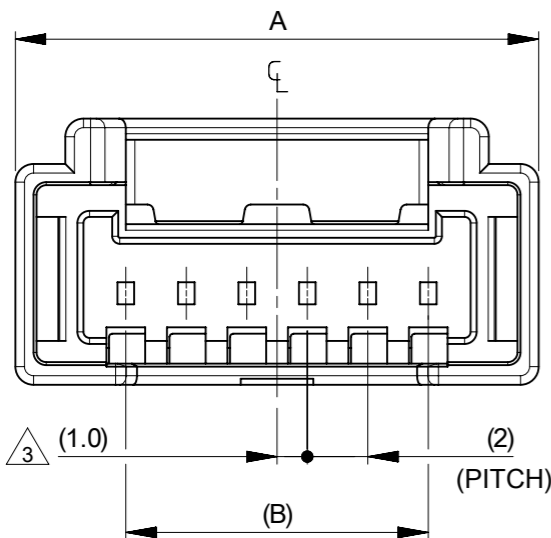
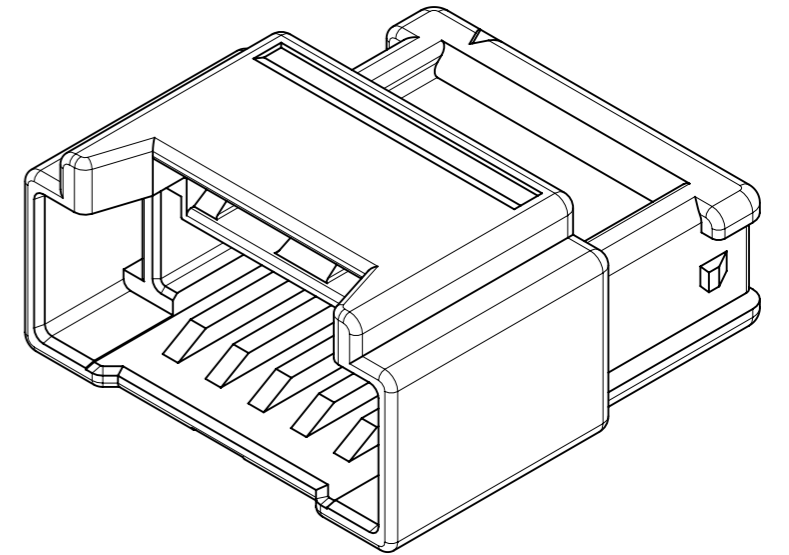
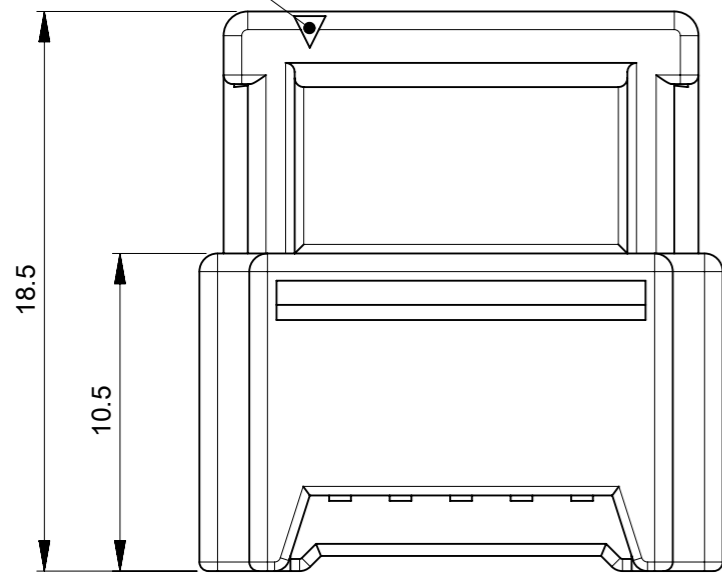


回路番号1マーク
CIRCUIT 1 MARK

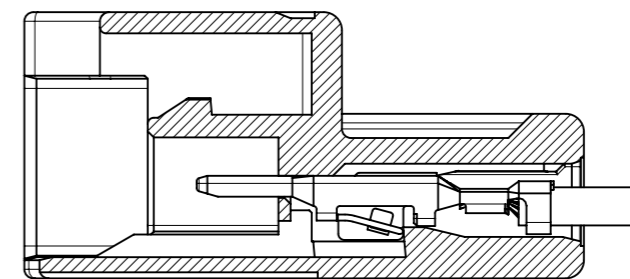


トレードマーク
TRADE MARK

キャビティ番号および金型番号
CAV & MOLD NUMBER

回路番号N
CIRCUIT N

回路番号1
CIRCUIT 1



ターミナル装着図
TERMINAL ASSEMBLY DRAWING

| | | |
|----|------|--------------------|
| 16 | 23.3 | 9 |
| 14 | 21.3 | 8 |
| 12 | 19.3 | 7 |
| 10 | 17.3 | 6 |
| 8 | 15.3 | 5 |
| 6 | 13.3 | 4 |
| 4 | 11.3 | 3 |
| 2 | 9.3 | 2 |
| B | A | 極数 CIRCUIT SIZE |

注記 :

NOTES :

- ① 材質 : TABLE 1参照
MATERIAL : SEE TABLE 1
- ② 製品仕様書、コネクタ取扱説明書、適合嵌合相手、適合端子はSHEET 2をご参照ください。
PLEASE REFER TO SHEET 2 FOR PRODUCT SPECIFICATION, APPLICATION SPECIFICATION, MATE WITH AND APPLICABLE TERMINAL.
- ③ 偶数極に適用
APPLY FOR EVEN CIRCUIT
- ④ 発注番号 : SHEET 2参照
ORDER NUMBER : PLEASE REFER TO SHEET 2 FOR ORDER NUMBER LIST.

2137192***

| |
|--------------------------------|
| ハウジングカラー HOUSING COLOR |
| 0 : ナチュラル(白) NATURAL(WHITE) |
| 1 : 黒 BLACK |

| |
|--------------------|
| 極数 CIRCUIT SIZE |
|--------------------|

① TABLE 1

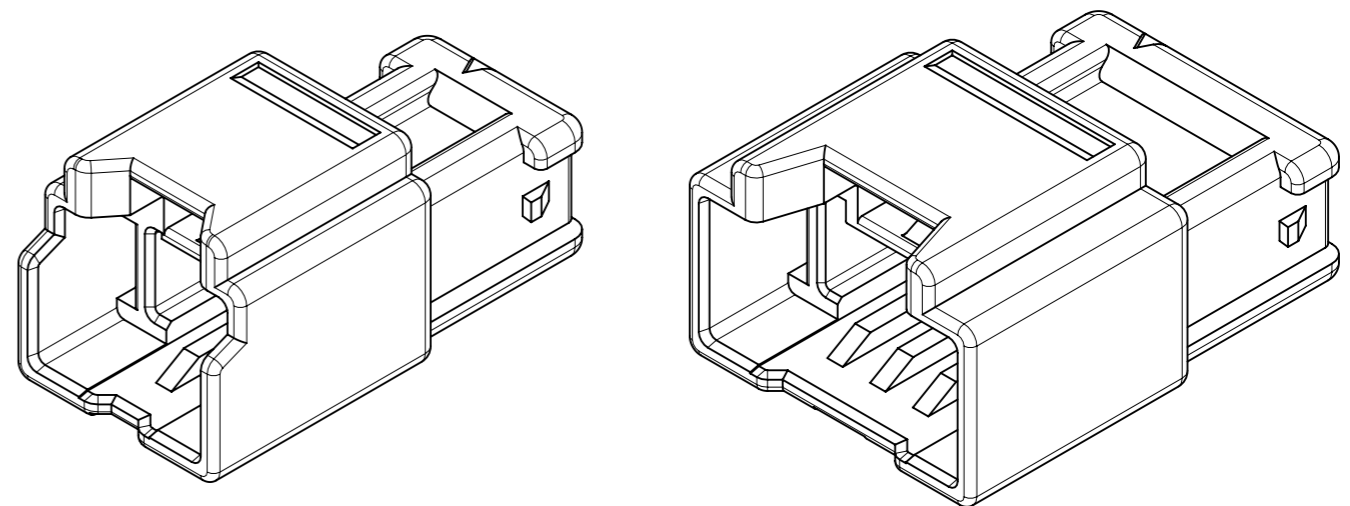
| 部品 PART | 材質 MATERIAL |
|------------------|--|
| ハウジング HOUSING | ポリアミド(PA), ガラス充填, UL94V-0, 色 : SHEET 2参照 POLYAMIDE (PA), GLASS FILLED, UL94V-0, COLOR : SEE SHEET 2 |

| | | | | | | | | | |
|---|--|--|--|--|--|--------------------|--|----------------------------|--|
| THIS DRAWING CONTAINS INFORMATION THAT IS PROPRIETARY TO MOLEX ELECTRONIC TECHNOLOGIES, LLC AND SHOULD NOT BE USED WITHOUT WRITTEN PERMISSION | | | | | | | | | |
| DIMENSION UNITS mm | | SCALE NTS | | CURRENT REV DESC: | | | | molex | |
| GENERAL TOLERANCES (UNLESS SPECIFIED) | | ANGULAR TOL ± 3.0° | | EC NO: 682237 DRWN: SOKUMURA01 2020/07/13 CHK'D: SAKIYAMA 2022/02/18 APPR: LZENG 2022/03/01 | | | | | |
| 4 PLACES ± 0.2 | | 3 PLACES ± 0.2 | | INITIAL REVISION: | | DOCUMENT NUMBER | | DOC TYPE DOC PART REVISION | |
| 2 PLACES ± 0.2 | | 1 PLACE ± 0.2 | | DRWN: SOKUMURA01 2020/07/13 APPR: LZENG 2022/03/01 | | 2137190000-SD | | PSD 000 A | |
| 0 PLACES ± 0.2 | | DRAFT WHERE APPLICABLE MUST REMAIN WITHIN DIMENSIONS | | THIRD ANGLE PROJECTION | | DRAWING A3-SIZE | | SERIES 213719 | |
| MATERIAL NUMBER SEE SHEET 2 | | CUSTOMER GENERAL | | SHEET NUMBER 1 OF 2 | | | | | |

△2 適合製品及び各種仕様書 APPLICABLE PRODUCTS AND VARIOUS SPECIFICATIONS

| | | | |
|--|----------------------|-------------------------------|--------------------------|
| 梱包仕様書 PACKAGING SPECIFICATION | 製品番号 PART NUMBER | 仕様書番号 SPECIFICATION NUMBER | |
| | 2137192*** | 2137199200-SPK PS 200 | |
| 適合端子 APPLICABLE TERMINAL | 製品番号 PART NUMBER | めっきタイプ PLATING TYPE | 電線サイズ WIRE SIZE (AWG) |
| | 2137201000 | TIN | #22-#26 |
| 嵌合相手 MATE WITH | RECEPTACLE HOUSING | | |
| シリーズ番号 SERIES NUMBER | 505570 | | |
| 製品仕様書 PRODUCT SPECIFICATION | 5055700003-PS PS 000 | | |
| コネクタ取扱説明書 APPLICATION SPECIFICATION | 5055700001 PS A03 | | |

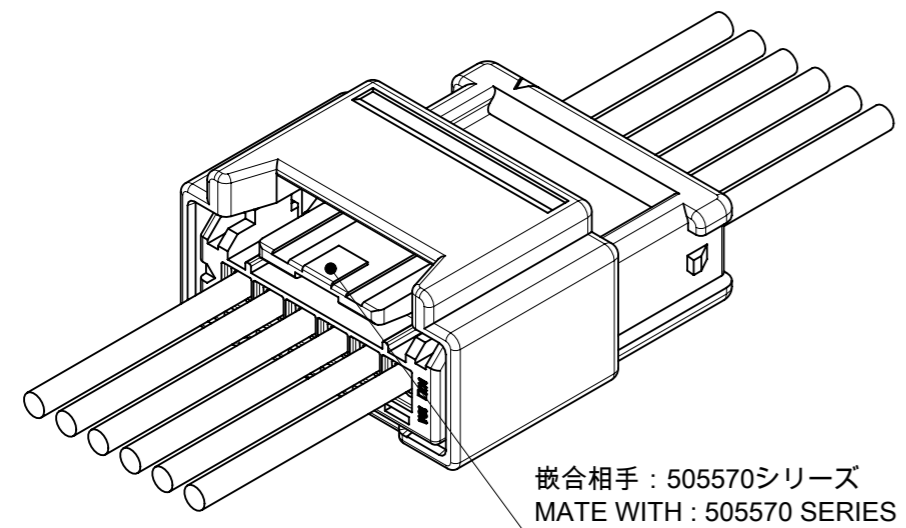
製品形状
PRODUCT SHAPE



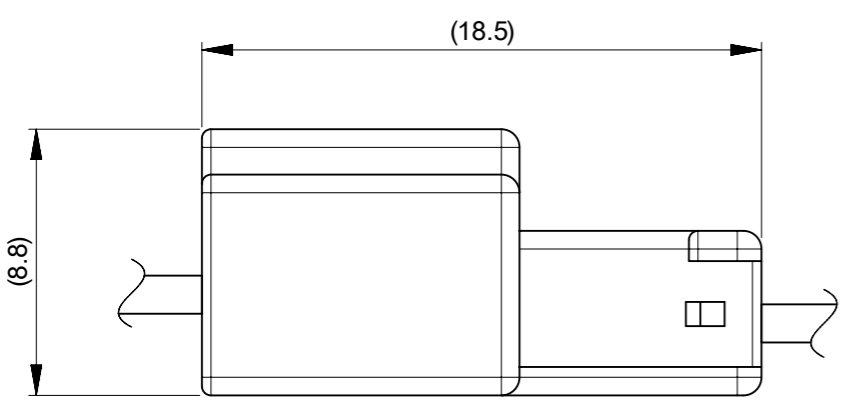
2-3極
2-3 CIRCUIT

4-9極
4-9 CIRCUIT

嵌合図
MATING CONNECTORS



嵌合相手: 505570シリーズ
MATE WITH: 505570 SERIES



△4 製品一覧
ORDER NUMBER LIST

| ハウジングカラー HOUSING COLOR | | |
|-----------------------------|-----------------------------|--------------------|
| 黒 BLACK | ナチュラル(白) NATURAL (WHITE) | |
| 2137192091 | 2137192090 | 9 |
| 2137192081 | 2137192080 | 8 |
| 2137192071 | 2137192070 | 7 |
| 2137192061 | 2137192060 | 6 |
| 2137192051 | 2137192050 | 5 |
| 2137192041 | 2137192040 | 4 |
| 2137192031 | 2137192030 | 3 |
| 2137192021 | 2137192020 | 2 |
| 発注番号 ORDER NUMBER | | 極数 CIRCUIT SIZE |
| 梱包形態:ポリ袋 PACKAGING: POLYBAG | | |

THIS DRAWING CONTAINS INFORMATION THAT IS PROPRIETARY TO MOLEX ELECTRONIC TECHNOLOGIES, LLC AND SHOULD NOT BE USED WITHOUT WRITTEN PERMISSION

| | | | | | | |
|--|----------------|-------------------|------------|----------------------------|--|--|
| DIMENSION UNITS mm | SCALE NTS | CURRENT REV DESC: | | molex | | |
| GENERAL TOLERANCES (UNLESS SPECIFIED) | | EC NO: 682237 | | | | |
| ANGULAR TOL ± 3.0° | 4 PLACES ± 0.2 | DRWN: SOKUMURA01 | 2020/07/13 | PRODUCT CUSTOMER DRAWING | | |
| 3 PLACES ± 0.2 | 2 PLACES ± 0.2 | CHK'D: SAKIYAMA | 2022/02/18 | DOCUMENT NUMBER | | |
| 2 PLACES ± 0.2 | 1 PLACE ± 0.2 | APPR: LZENG | 2022/03/01 | DOC TYPE DOC PART REVISION | | |
| 1 PLACE ± 0.2 | 0 PLACES ± 0.2 | INITIAL REVISION: | | 2137190000-SD PSD 000 A | | |
| DRAFT WHERE APPLICABLE MUST REMAIN WITHIN DIMENSIONS | | DRWN: SOKUMURA01 | 2020/07/13 | MATERIAL NUMBER | | |
| THIRD ANGLE PROJECTION | | APPR: LZENG | 2022/03/01 | CUSTOMER | | |
| DRAWING | | SERIES | | SHEET NUMBER | | |
| A3-SIZE | | 213719 | | SEE CHART GENERAL 2 OF 2 | | |