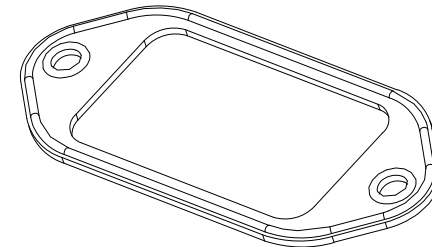
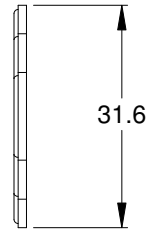
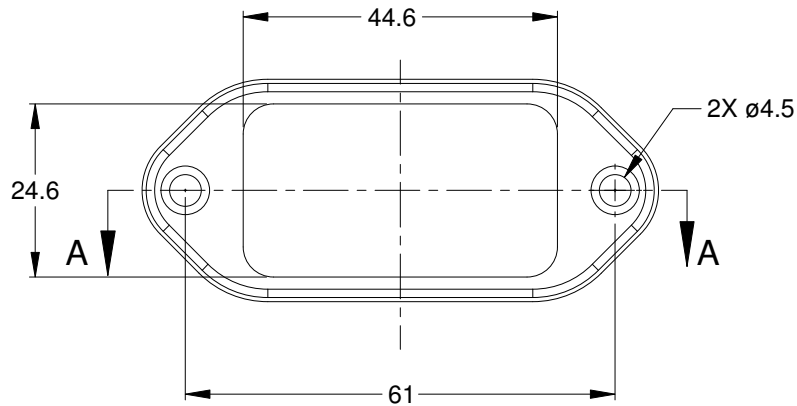
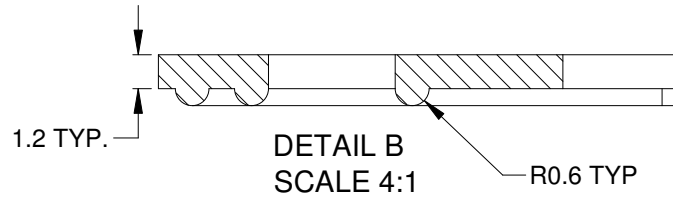
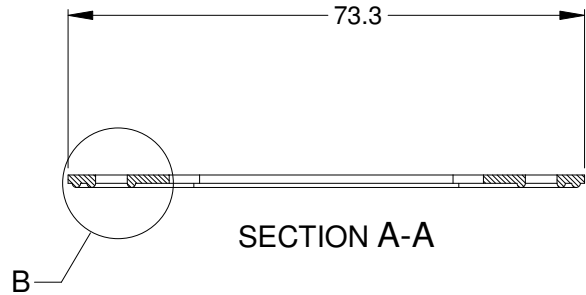


REVISIONS					
REV	ECO	DESCRIPTION	DATE	BY	APPR
A2		RELEASE NEW DWG FORMAT	09/02/15	JAH	



NOTES: UNLESS OTHERWISE SPECIFIED

1. MATERIAL: SILICONE RUBBER; COLOR: RED
2. RoHS COMPLIANT
3. ALL DIMENSIONS ARE FOR REFERENCE USE ONLY.

AT1612-PB-G7		DESCRIPTION		ITEM
PART NUMBER		DESCRIPTION		ITEM
QUANTITY	MATERIALS LIST			
<small>UNLESS OTHERWISE SPECIFIED</small> 1) All dimensions are in metric(mm). 2) Tolerances are as follows: 1 PL DEC ±0.30 2 PL DEC ±0.15 3 PL DEC ±0.08 3) Note reference =	SIGNATURES	DATE	<h1 style="text-align: center;">Amphenol</h1> <p style="text-align: center;">Sine Systems - www.amphenol-sine.com 44724 Morley Drive Clinton Township, MI 48036</p> <p style="text-align: center;">RECEPTACLE GASKET, 13 POSITION, AT SERIES</p>	
	DRAWN: J. HEAD	09/02/13		
CHECKED:				
ENGINEER:				
MATERIAL SPECIFICATIONS:	APPROVAL:		CUSTOMER:	
PROCESS SPECIFICATIONS:	<small>THIS DRAWING IS SUPPLIED FOR INFORMATION ONLY. DESIGN FEATURES, SPECIFICATIONS AND PERFORMANCE DATA SHOWN HEREON ARE THE PROPERTY OF THE AMPHENOL CORPORATION. NO RIGHTS OF REPRODUCTION ARE IMPLIED. ALL DIMENSIONS ARE SUBJECT TO NORMAL MANUFACTURING VARIATIONS.</small>		SIZE: A C-	REVISION: A2
NEXT ASSY:	SCALE: NONE	DWG NO: AT1612-PB-G7	SHEET 1 OF 1	