

1986715-8 ✓ ACTIVE

Buchanan

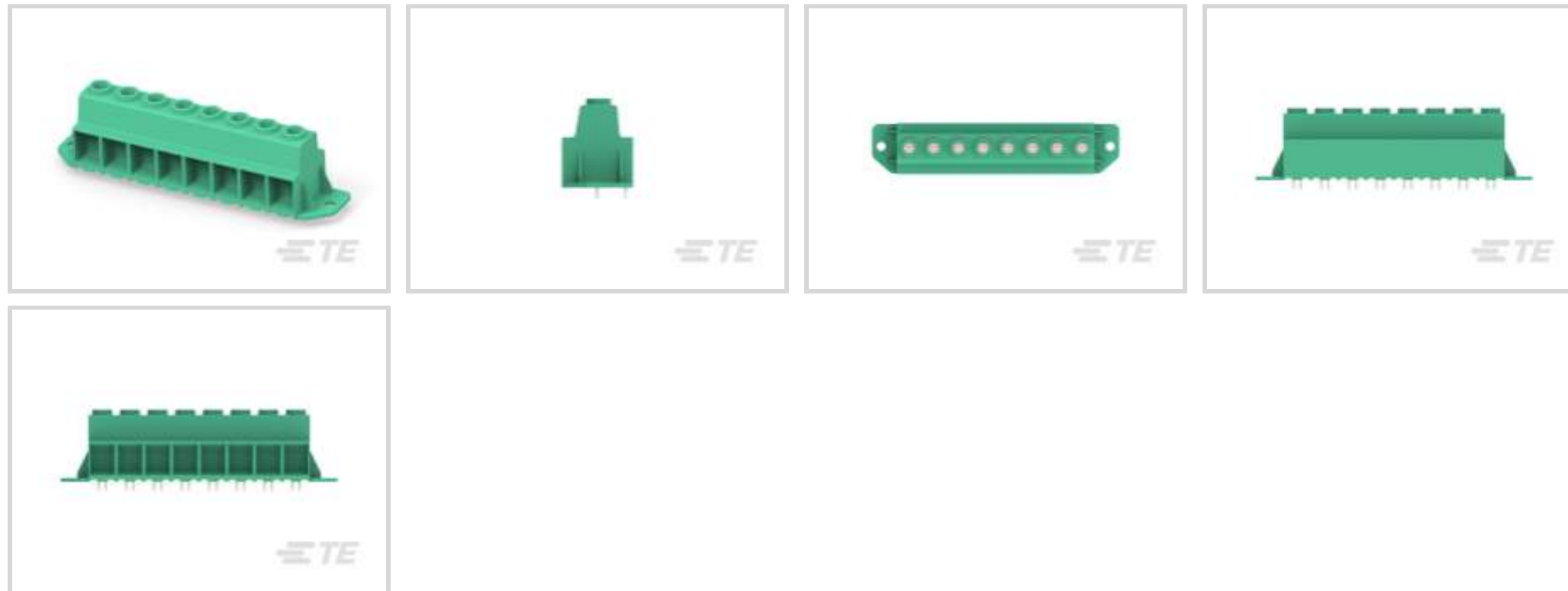
TE Internal #: 1986715-8

PCB Terminal Blocks, Header, Wire-to-Board, 8 Position, .591 in [15 mm] Centerline, 2 Row, 90° Wire Entry Angle, 20 – 1 AWG Wire Size

[View on TE.com >](#)



Connectors > Terminal Blocks & Strips > PCB Terminal Blocks



Terminal Block Connector Type: **Header**

Connector System: **Wire-to-Board**

Number of Positions: **8**

Centerline (Pitch): **15 mm [ .591 in ]**

Number of Rows: **2**

## Features

### Product Type Features

Wire Protection	With
Terminal Block Connector Type	Header
Connector System	Wire-to-Board
Connector & Contact Terminates To	Printed Circuit Board

### Configuration Features

Wire Entry Location	Side
Number of Positions	8
Number of Rows	2
Wire Entry Angle	90°

### Electrical Characteristics

Operating Voltage	600 VAC
-------------------	---------

### Body Features

Primary Product Color	Green
Product Orientation	Vertical



### Contact Features

Contact Mating Area Length	5 mm[.197 in]
Contact Mating Area Plating Material	Tin
Contact Base Material	Brass
Contact Current Rating (Max)	130 A

### Termination Features

Termination Post & Tail Length	5 mm[.197 in]
Termination Method to Printed Circuit Board	Through Hole - Solder

### Mechanical Attachment

Mounting Retention Type	Screw Mount
Screw Plating Material	Nickel
Screw Material	Steel
Thread Size	M5
Connector Mounting Type	Board Mount

### Housing Features

Housing Material	PA 66
Centerline (Pitch)	15 mm[.591 in]

### Dimensions

Wire Size	.5 – 41 mm <sup>2</sup>
-----------	-------------------------

### Usage Conditions

Operating Temperature Range	-40 – 110 °C[-40 – 230 °F]
-----------------------------	----------------------------

### Operation/Application

Circuit Application	Power & Signal
---------------------	----------------

### Packaging Features

Packaging Quantity	5
Packaging Method	Carton

### Product Compliance

[For compliance documentation, visit the product page on TE.com>](#)

EU RoHS Directive 2011/65/EU	Compliant with Exemptions
EU ELV Directive 2000/53/EC	Compliant
China RoHS 2 Directive MIIT Order No 32, 2016	Restricted Materials Above Threshold



EU REACH Regulation (EC) No. 1907/2006

Current ECHA Candidate List: JUNE 2023 (235)

Candidate List Declared Against: JUNE 2022 (224)

SVHC > Threshold:

Pb (.8% in Component Part)

**Article Safe Usage Statements:**

Do not eat, drink or smoke when using this product. Wash thoroughly after handling. Recycle if possible and dispose of the article by following all applicable governmental regulations relevant to your geographic location.

Halogen Content

Low Halogen - Br, Cl, F, I < 900 ppm per homogenous material. Also BFR/CFR/PVC Free

Solder Process Capability

Wave solder capable to 265°C

**Product Compliance Disclaimer**

This information is provided based on reasonable inquiry of our suppliers and represents our current actual knowledge based on the information they provided. This information is subject to change. The part numbers that TE has identified as EU RoHS compliant have a maximum concentration of 0.1% by weight in homogenous materials for lead, hexavalent chromium, mercury, PBB, PBDE, DBP, BBP, DEHP, DIBP, and 0.01% for cadmium, or qualify for an exemption to these limits as defined in the Annexes of Directive 2011/65/EU (RoHS2). Finished electrical and electronic equipment products will be CE marked as required by Directive 2011/65/EU. Components may not be CE marked. Additionally, the part numbers that TE has identified as EU ELV compliant have a maximum concentration of 0.1% by weight in homogenous materials for lead, hexavalent chromium, and mercury, and 0.01% for cadmium, or qualify for an exemption to these limits as defined in the Annexes of Directive 2000/53/EC (ELV). Regarding the REACH Regulation, the information TE provides on SVHC in articles for this part number is based on the latest European Chemicals Agency (ECHA) 'Guidance on requirements for substances in articles' posted at this URL: <https://echa.europa.eu/guidance-documents/guidance-on-reach>

### Compatible Parts

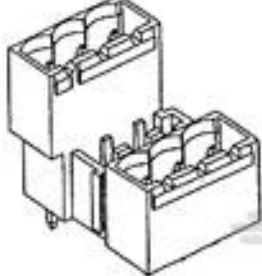


TE Part # 1986714-8  
PWR TB 2PIN 8P,15.00 PCB W/PEG



TE Part # 1986713-8  
PWR TB DBL PIN 8P, 15.00 PCB

### Customers Also Bought



TE Part #284065-5  
TERMI-BLOK HDR 180, 5,08MM P.M



TE Part #2-2176400-0  
3540 6R2 1%



TE Part #2-2176400-4  
3540 9R1 1%



TE Part #2-2213819-7  
6X6 ILL TACT SMT 160GF HI YELLOW GREEN



TE Part #104439-1  
10X2 MTE RCPT SR PLAIN .100CL



TE Part #293303-1  
NECTOR S CHASSIS MOUNT HSG  
SUPPORT



TE Part #535541-9  
11 MODIV VRT SR CE 100/115



TE Part #5-2176391-8  
RQ 1206 48K7 0.1% 10PPM 5K RL



TE Part #4-146274-0  
40 MODII HDR SRST B/A .100CL



TE Part #4-640443-3  
13P MTA100 CONN ASSY GRN

## Documents

### Product Drawings

[PWR TB 2PIN 8P,15.00 PCB-FLANGE](#)

English

### CAD Files

[3D PDF](#)

3D

Customer View Model

[ENG\\_CVM\\_CVM\\_1986715-8\\_B.2d\\_dxf.zip](#)

English

Customer View Model

[ENG\\_CVM\\_CVM\\_1986715-8\\_B.3d\\_igs.zip](#)

English

Customer View Model

[ENG\\_CVM\\_CVM\\_1986715-8\\_B.3d\\_stp.zip](#)

English

By downloading the CAD file I accept and agree to the [Terms and Conditions](#) of use.

### Datasheets & Catalog Pages

[BUCHANAN TERMINAL BLOCKS CATALOG - EUROSTYLE TERMINAL BLOCKS](#)

English

### Agency Approvals

[UL](#)

English