

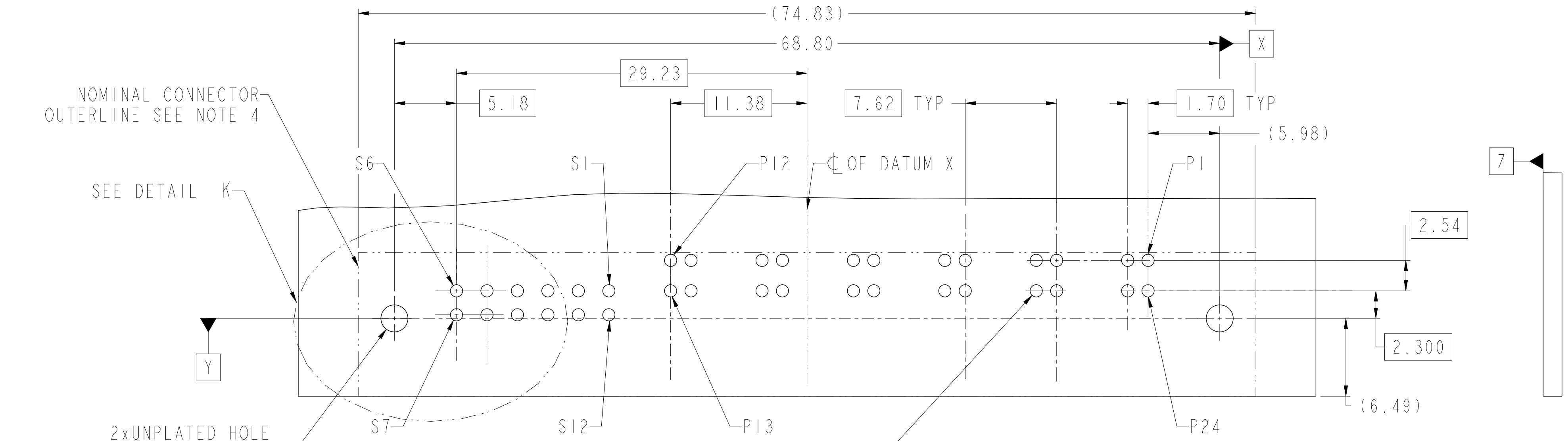
spec ref	-	dr	Feng Zheng	2017/03/27	projection	MM	size	A2	scale	3:1	
tolerance std	ISO 406 ISO 1101	TOLERANCES UNLESS OTHERWISE SPECIFIED			eng	Feng Zheng	2017/05/05	ecn no	-		
surface	ISO 1302	linear	0.X	±0.5	chr	Terris Liu	2017/05/05	rel level	Released		
			0.XX	±0.25	appr	Pei-Ming Zheng	2017/05/05	product family	HPCE		
		angular	0°	±2°	Amphenol FCI		title	HPCE CTB R/A HEADER	12HP12S with short latch	cat. no.	-
							HPCE	10143280	Product - Customer Drw	sheet 1 of 3	

Amphenol FCI

© 2016 AFCI

TABLE 1 (HPCE / SOLDER TAILS)
PLATED THROUGH-HOLE REQUIREMENTS

CONTACT TYPE	TOP LAYER DESCRIPTION	DRILLED HOLE DIAMETER	COPPER THICKNESS	TIN-LEAD THICKNESS	TIN THICKNESS	FINISHED HOLE DIAMETER
		POWER & SIGNAL	TIN-LEAD	1.10-1.16 (1.15 DRILL)	0.025 - 0.050	0.005 - 0.015
	IMMERSION TIN	1.10-1.16 (1.15 DRILL)	0.025 - 0.050	--	0.9 - 1.5um	0.94 - 1.10
	COPPER	1.10-1.16 (1.15 DRILL)	0.025 - 0.050	--	--	0.94 - 1.10

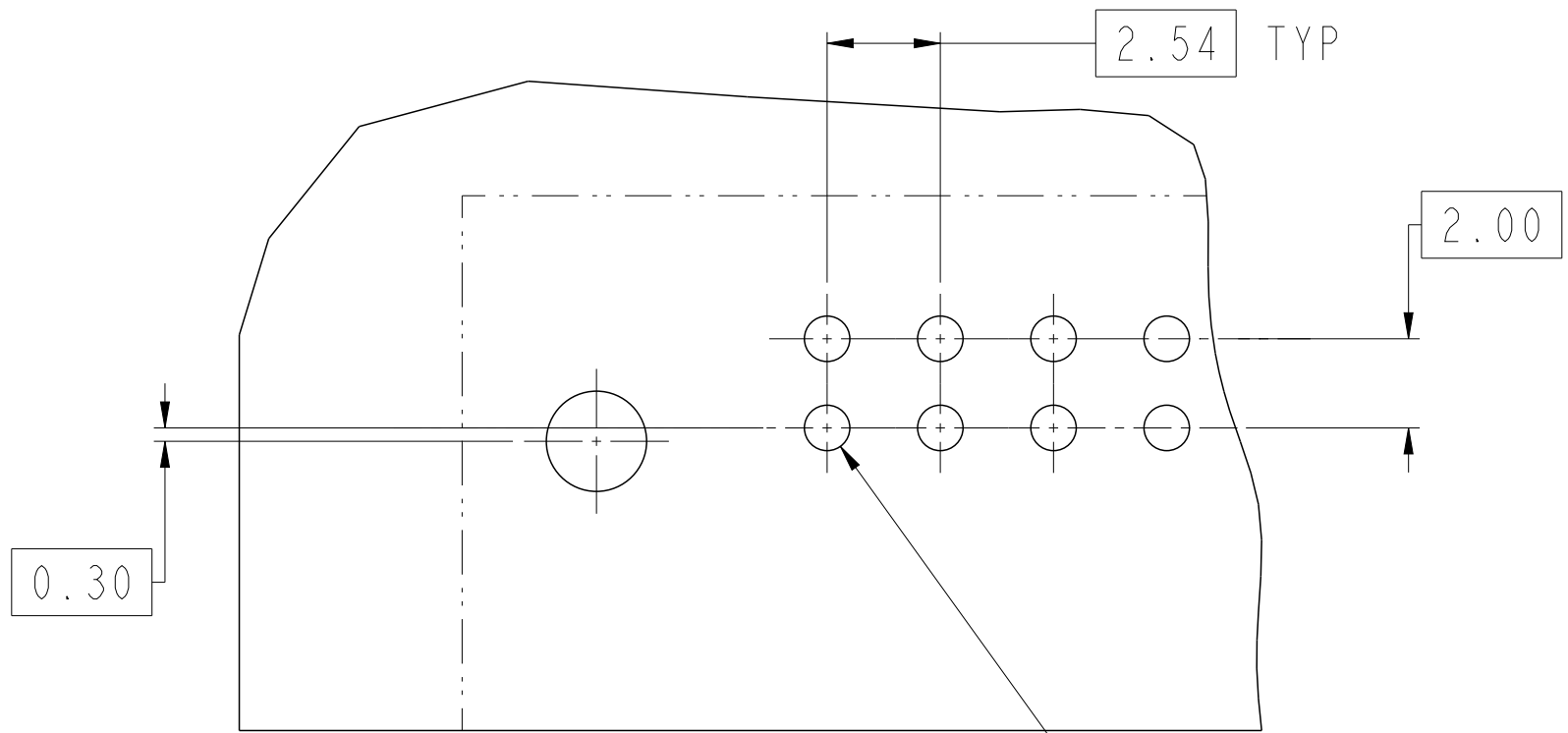


2x UNPLATED HOLE
(SEE NOTE 6 FOR DIAMETER)

$\varnothing 0.10 \text{ (M)}$ Z Y X

SEE TABLE 1, NOTE 5 TYP

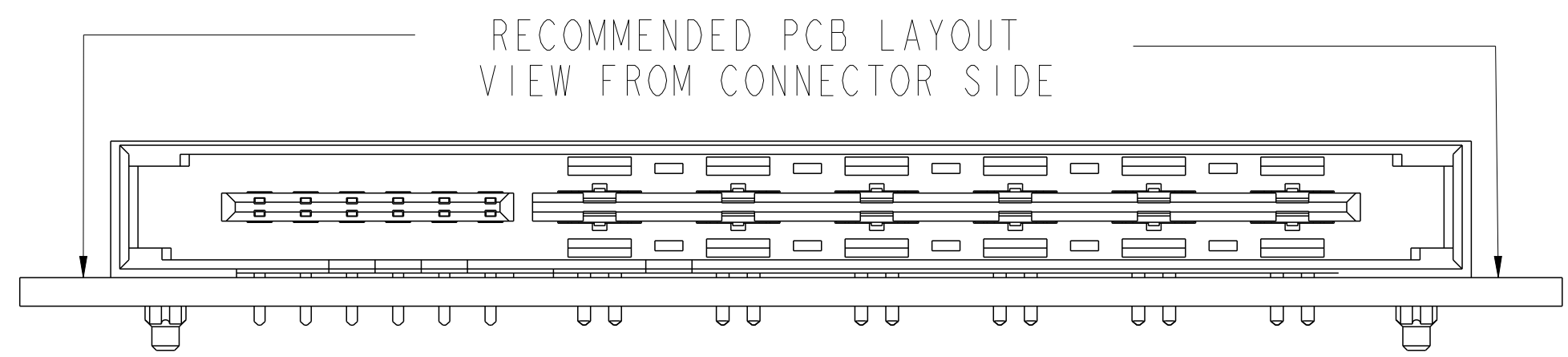
$\varnothing 0.10 \text{ (M)}$ Z Y X



SEE TABLE 1, NOTE 5 TYP

$\varnothing 0.10 \text{ (M)}$ Z Y X

DETAIL K
SCALE 6:1



spec ref	-	dr	Feng Zheng	2017/03/27	projection	MM	size	A2	scale	3:1
tolerance std	ISO 406 ISO 1101	eng	Feng Zheng	2017/05/05			ecn no	-	rel level	Released
TOLERANCES UNLESS OTHERWISE SPECIFIED		chr	Terris Liu	2017/05/05						
surface	linear	0.X	±0.5		product family	HPCE	cat. no. -	Product - Customer Drw	sheet 2 of 3	
		0.XX	±0.25		HPCE CTB R/A HEADER					
	angular	0.XXX	±0.10		12HP12S with short latch					
		0°	±2°		rev no 10143280				rev A	

PRODUCT PART NUMBER

10143280-□□□□ LF

BASE PART NUMBER

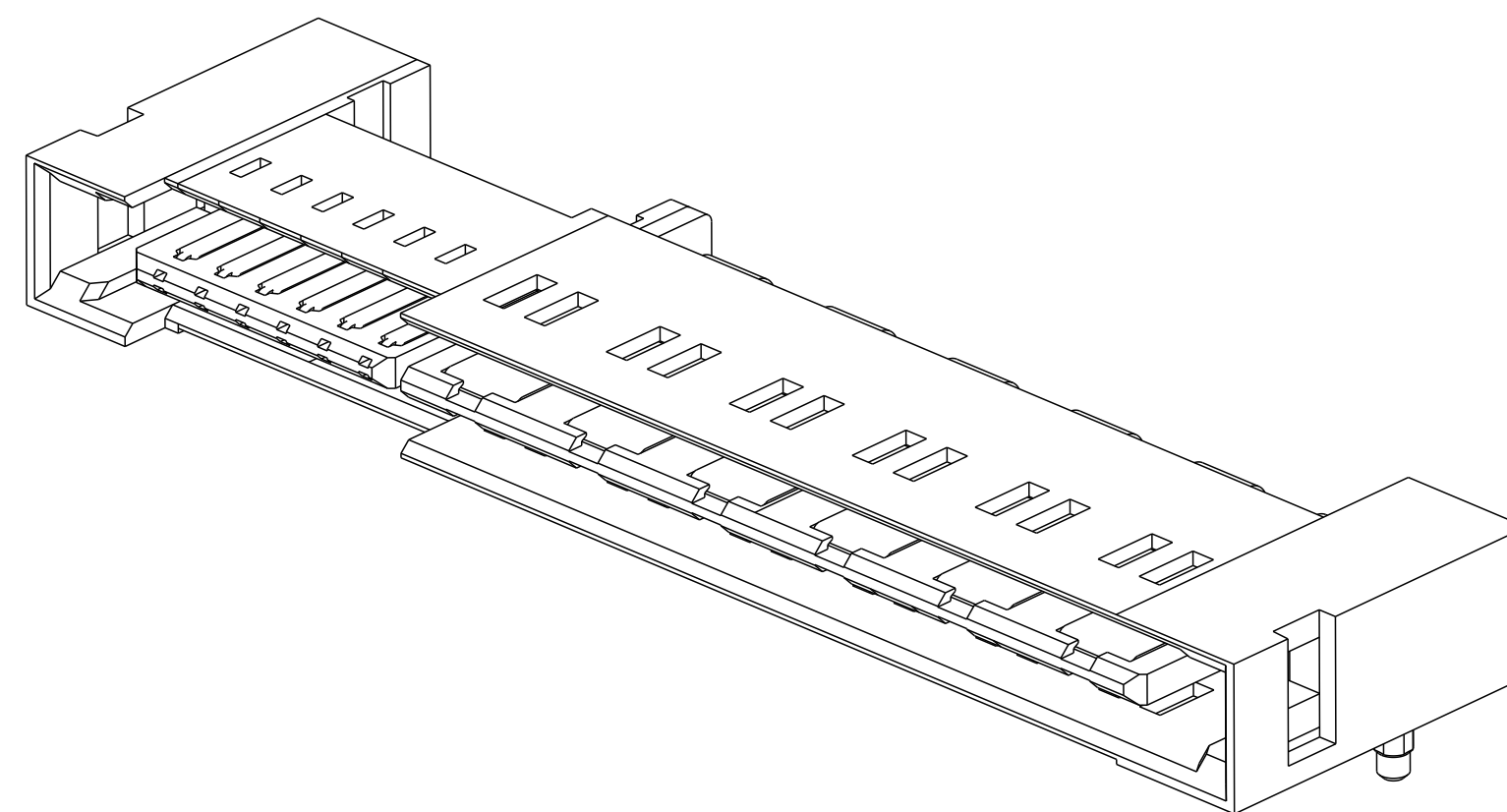
CONTACT AREA PLATING :
2: GXT PLATING OVER NI

FIRST MATE LAST BREAK PIN POSITION
000: ALL PINS ARE LONG PINS SEE TABLE

DIM "A", TAIL LENGTH
1: 2.60±0.25mm (PCB THK 1.57±0.13mm)
2: 3.25±0.25mm (PCB THK 2.36±0.13mm)

NOTES:

1. PART NUMBER AND DATE CODE TO BE MARKED ON THIS SURFACE.
THE MARK CAN BE OMITTED IF THERE IS NOT ENOUGH SPACE ON THIS SURFACE.
2. CONNECTOR MATERIALS:
HOUSING: HIGH TEMPERATURE THERMAL PLASTIC WITH GLASS FIBER, UL94V-0, BLACK
CONTACT: HIGH PERFORMANCE COPPER ALLOY.
3. CONTACT FINISH REF: GS-12-1031 SECTION 5.2.
4. DENOTES CONNECTOR KEEP OUT ZONE.
5. ALL HOLE DIAMETERS ARE FINISHED HOLE SIZES.
6. MOUNTING HOLES ARE UNPLATED
Ø2.25±0.05 FOR SOLDER TAILS
7. THE HOUSING WILL WITHSTAND EXPOSURE TO 245 °C PEAK TEMPERATURE FOR 10 SECONDS
IN A WAVE SOLDER APPLICATION.
8. THIS PRODUCT MEETS EUROPEAN UNION DIRECTIVES AND OTHER COUNTRY REGULATIONS AS DESCRIBED IN GS-47-0004.
9. PRODUCT SPECIFICATION : GS-12-1031.
APPLICATION SPECIFICATION : GS-20-0369
PRODUCT PACKAGE SPECIFICATION: GS-14-2272.



spec ref	-	dr	Feng Zheng	2017/03/27	projection	MM	size	A2	scale	3:1
tolerance std	ISO 406 ISO 1101	eng	Feng Zheng	2017/05/05			ecn no	-	rel level	Released
TOLERANCES UNLESS OTHERWISE SPECIFIED		chr	Terris Liu	2017/05/05						
surface	linear	0.X	±0.5		title HPCE CTB R/A HEADER 12HP12S with short latch	dwg no 10143280	rev A	Product - Customer Drw		
		0.XX	±0.25					cat. no.	-	sheet 3 of 3
	angular	0°	±2°							