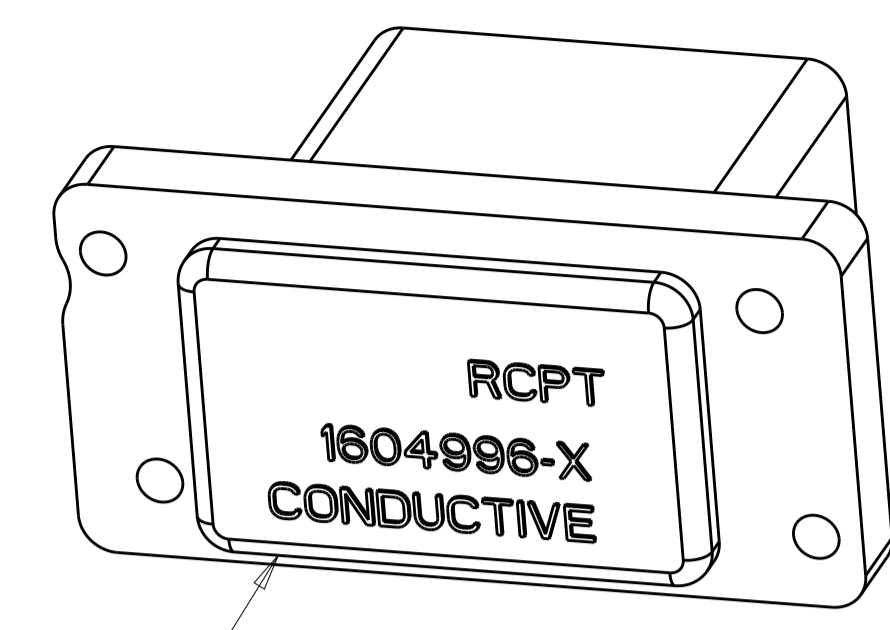
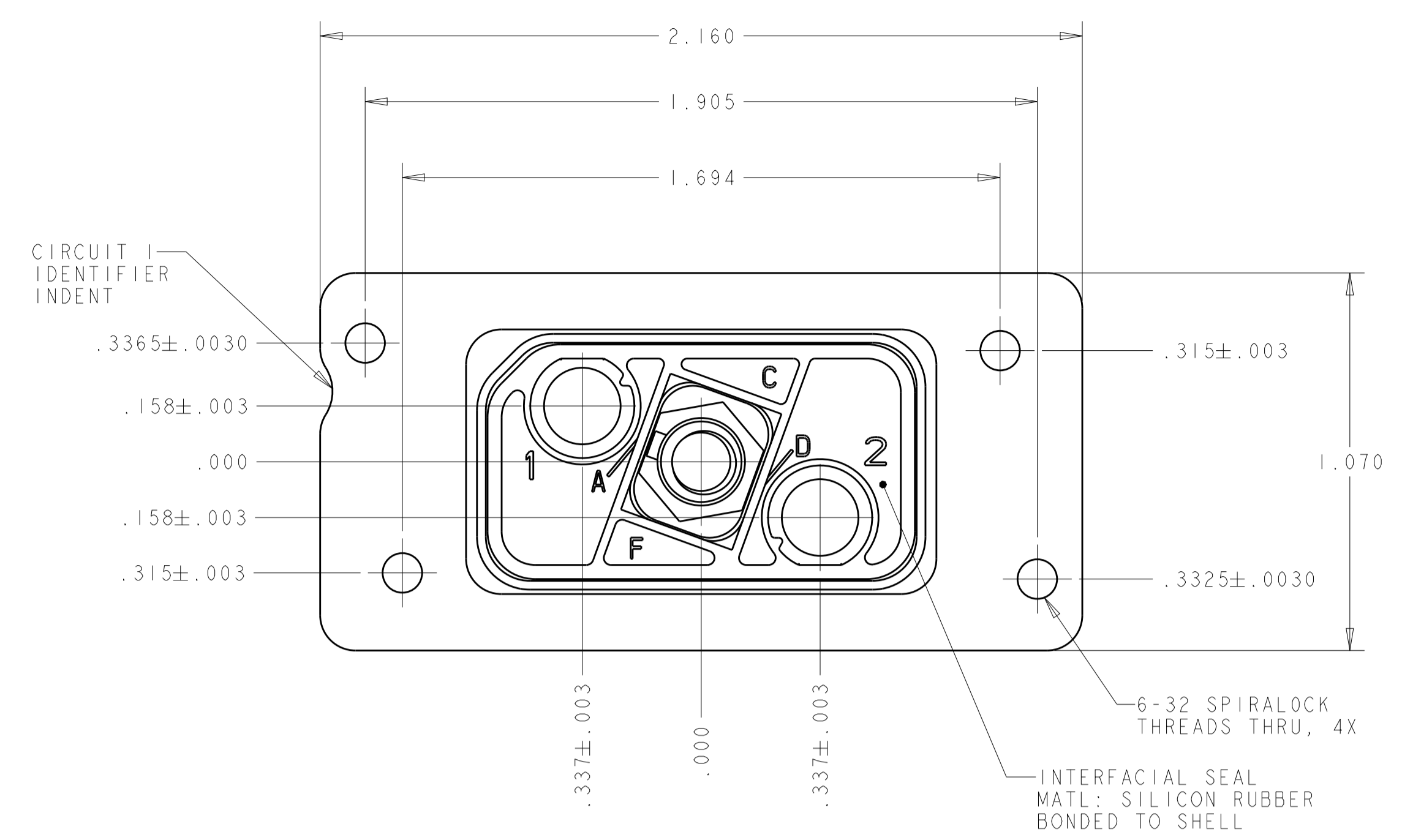


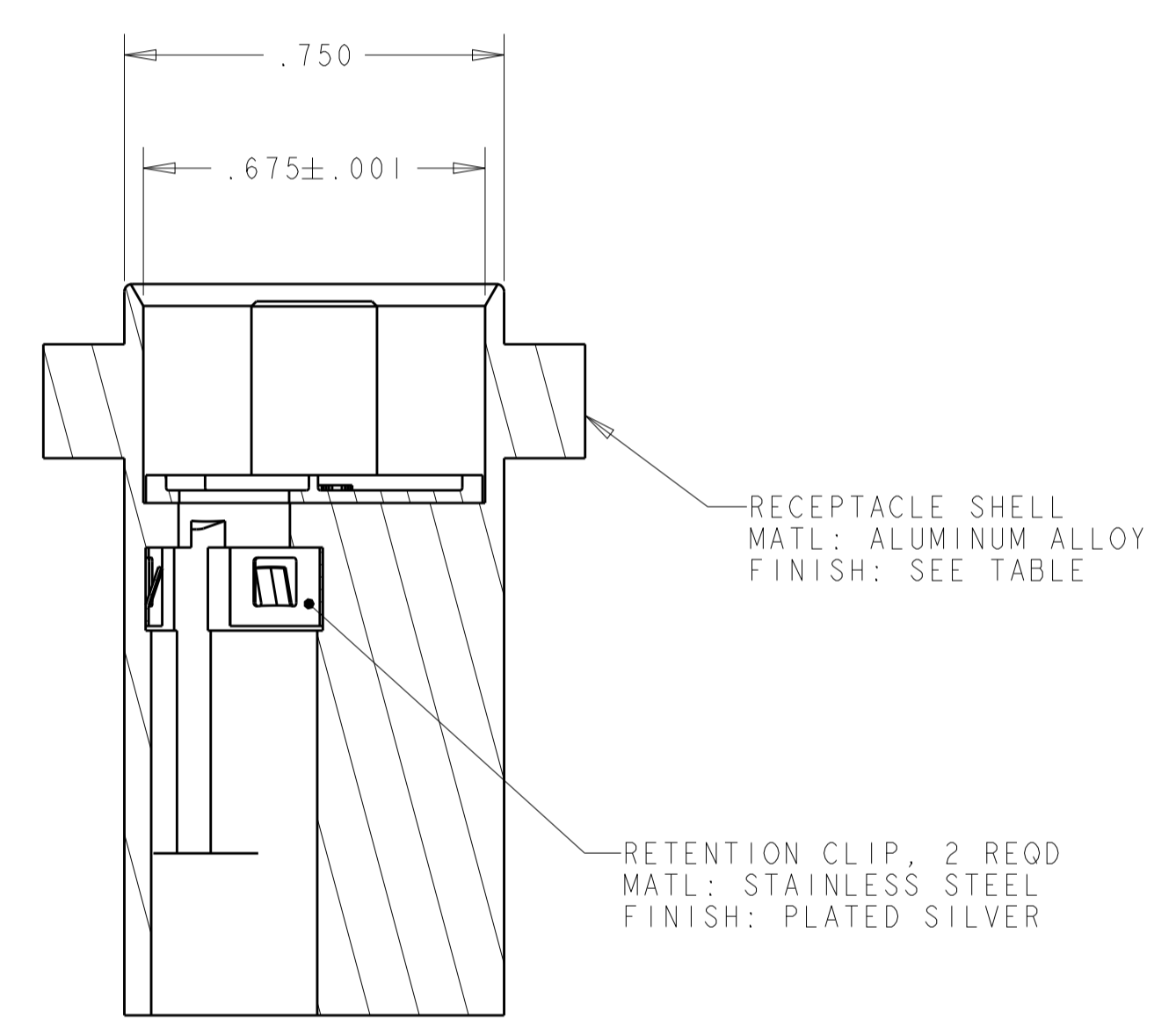
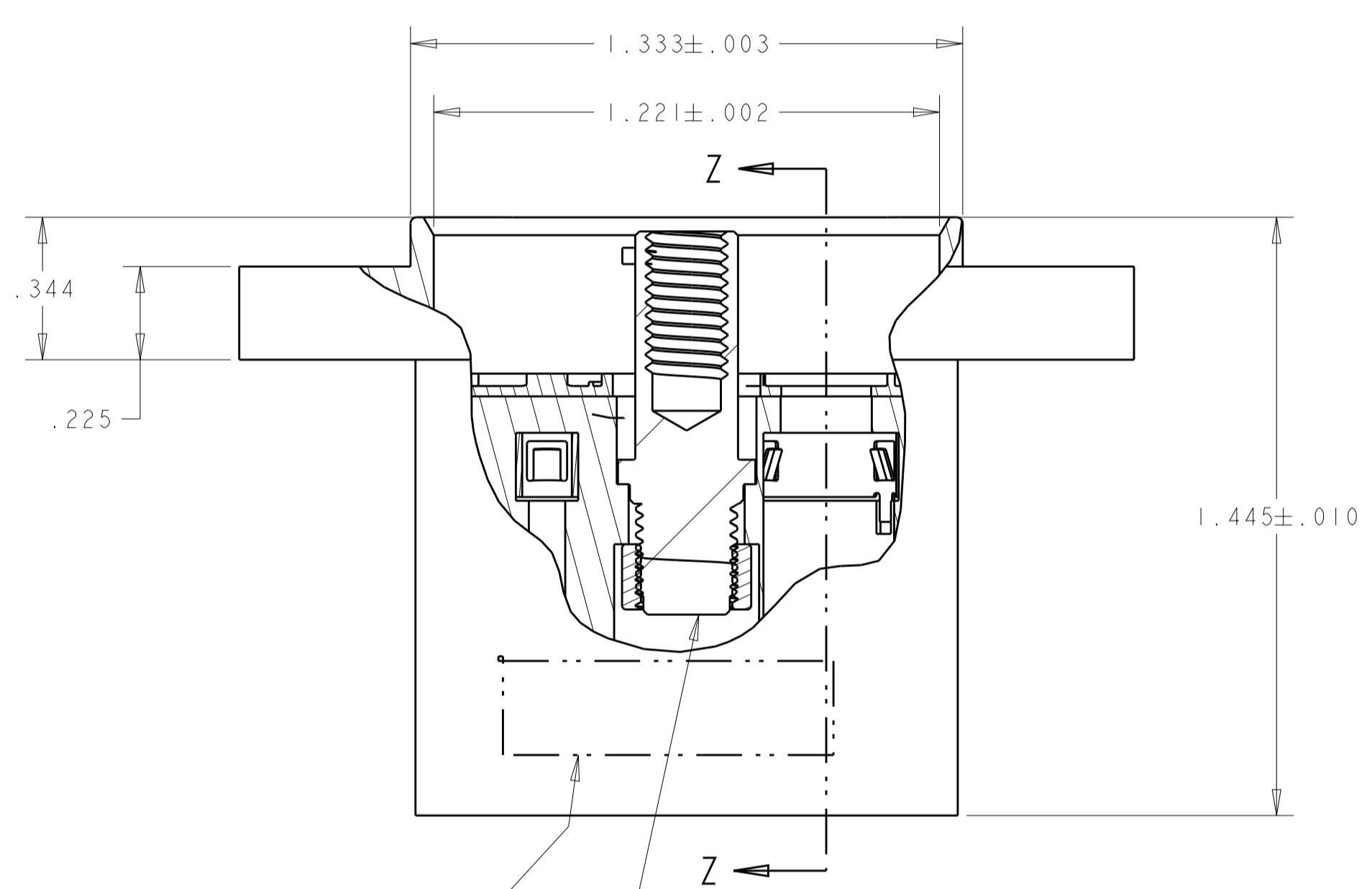
LOC		DIST		REVISIONS			
P	LTN	DESCRIPTION	DATE	DMN	APVD		
E		REV PER ECO 13-008491	6-3-13	CT	DM		



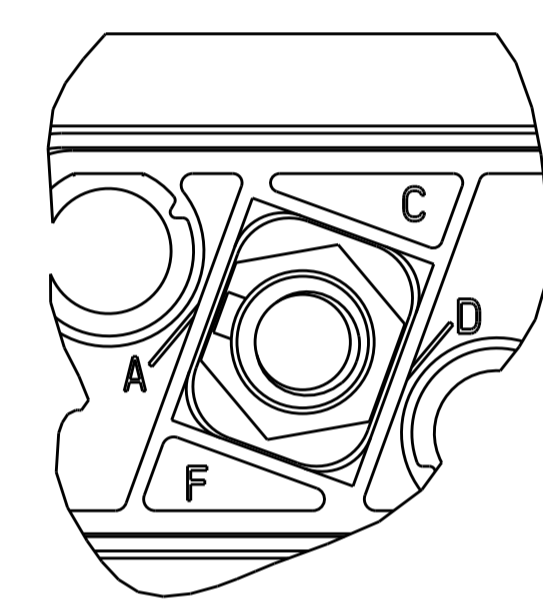
SCALE 2:1
ESD DUST COVER; PART NUMBER 1604996-2 INCLUDED WITH ASSEMBLIES

SHOWN WITH DUST COVER

⚠ JACKPOST-RETENTION NUT KIT IS UNASSEMBLED TO CONNECTOR ASSY. KIT IS PACKAGED IN SEALED BAG.

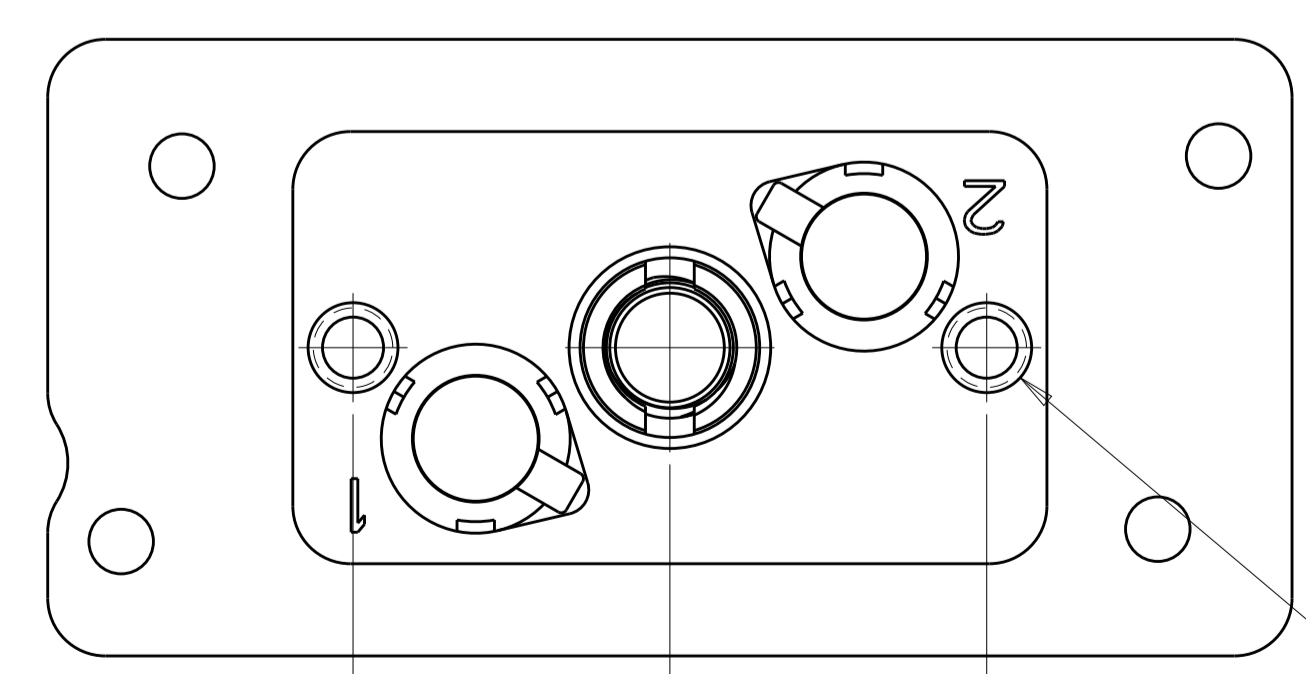


SECTION Z-Z



MARKING ON INTERFACIAL SEAL WILL ONLY SHOW A, C, D AND F (CODE A SHOWN FOR REFERENCE)

TE LOGO, DATE CODE AND EITHER CUSTOMER OR TE PART NUMBER (PER TABLE) MARKED APPROX AS SHOWN ON NEAR OR FAR SIDE



∅.156±.021
6-32 ∇.63 SPIRALLOCK THREADS, 2X (FOR ATTACHING BACKSHELL KIT 1604905-1)

RECOMMENDED CONTACT WITH WIRE SEAL	CUSTOMER PART NUMBER	SHELL FINISH	DESCRIPTION	PART NO.
1445692-4	BACC65BD2N	ELECTROLESS NICKEL	WITH JACKPOST-RETENTION NUT KIT (FLAT PLZN) (NOT INSTALLED) INCLUDES DUST COVER	1604897-8
1445692-3	HWI20822-AK2A	ELECTROLESS NICKEL	JACKPOST ASSEMBLED PLZN CODE A	1604897-7
1445692-4	BACC65BD2NA	ELECTROLESS NICKEL	JACKPOST ASSEMBLED PLZN CODE A	1604897-6
1445692-3	---	ELECTROLESS NICKEL	WITH JACKPOST-RETENTION NUT KIT (FLAT PLZN) (NOT INSTALLED) INCLUDES DUST COVER	1604897-5
OBSELETE	1445692-4	BACC65BD2A	BLACK ANODIZED	1604897-4
SUPERSEDED BY 1604897-5	1445692-2	---	WITH JACKPOST-RETENTION NUT KIT (FLAT PLZN) (NOT INSTALLED) INCLUDES DUST COVER	1604897-2

THIS DRAWING IS A CONTROLLED DOCUMENT. DWN: BJOHN 06JUN03
CHK: W.H.BERNHART 16MAR04
APVD: W.H.BERNHART 16MAR04

STE TE Connectivity

NAME: ASSEMBLY, RECEPTACLE, QUADRAX, PANEL MOUNT, RR/RR, 2 POSN

SIZE: A1 CAGE CODE: 1604897 DRAWING NO: 100779

SCALE: 3:1 SHEET: 1 OF 1 REV: E