

## HXT14100

56Gbps – Single Channel PAM4 VCSEL Driver

The HXT14100 is a single channel, low power, Linear PAM4 VCSEL driver for SR optical applications that supports signaling rates up to 29GBuad PAM4. In conjunction with a VCSEL laser, the device handles the complete electrical-to-optical conversion. It includes CML input with equalization, linear multi-stage drivers, plus a digital interface to a driver control and supervision.

The HXT14100 integrates a number of functions like Automatic Power Control (APC), internal and module temperature monitoring and reporting. With RSSI input, the driver can directly synchronize with the input from a receiver.

HXT14100 is a direct DC-coupled die designed for a chip-on-board (COB) transmitter and in TOSA applications. It offers a cost-effective and compact solution.

### Applications

- SFP56 Ethernet SR modules
- 50G Ethernet SR AOC
- 64G Fiber Channel modules
- Infiniband EDR modules

### Features

- 230mW per channel Power Dissipation typical
- Supports up to:  $I_{MOD} = 12\text{mAPP}$  and  $I_{BIAS} = 12\text{mA}$  with  $V_{CC} = 3.3\text{V}$
- Integrated 12-bit ADC with 6 channel analog multiplexor front-end
- Programmable 8-bit Laser Modulation and Bias current control
- Integrated Bias Monitor, Transmit and Receive Power monitor capability
- Automatic Power Control (APC)
- Programmable Input LOS and Squelch function with disable, Transmit Disable, and Transmit Fault indication
- Programmable Input CTLE Equalization
- Integrated Temperature Sensor and input for external module temperature sensor
- Interrupts with User selectable Mask control
- Input Polarity Inversion
- Laser Disable for  $I_{MOD}$  and  $I_{BIAS}$
- Integrated OTP for calibration
- 2-wire interface control

### Ordering Information

Part	Temp. Range	Dimensions
HXT14100-DNU <sup>[1]</sup>	-5°C to +95°C	Bare Die: 1350 x 1120µm
HXT14100-TNU <sup>[2]</sup>		
HXT14100-EVB	Room Temp.	Evaluation Board

1. Carrier type is waffle pack.
2. Carrier type is blue tape.

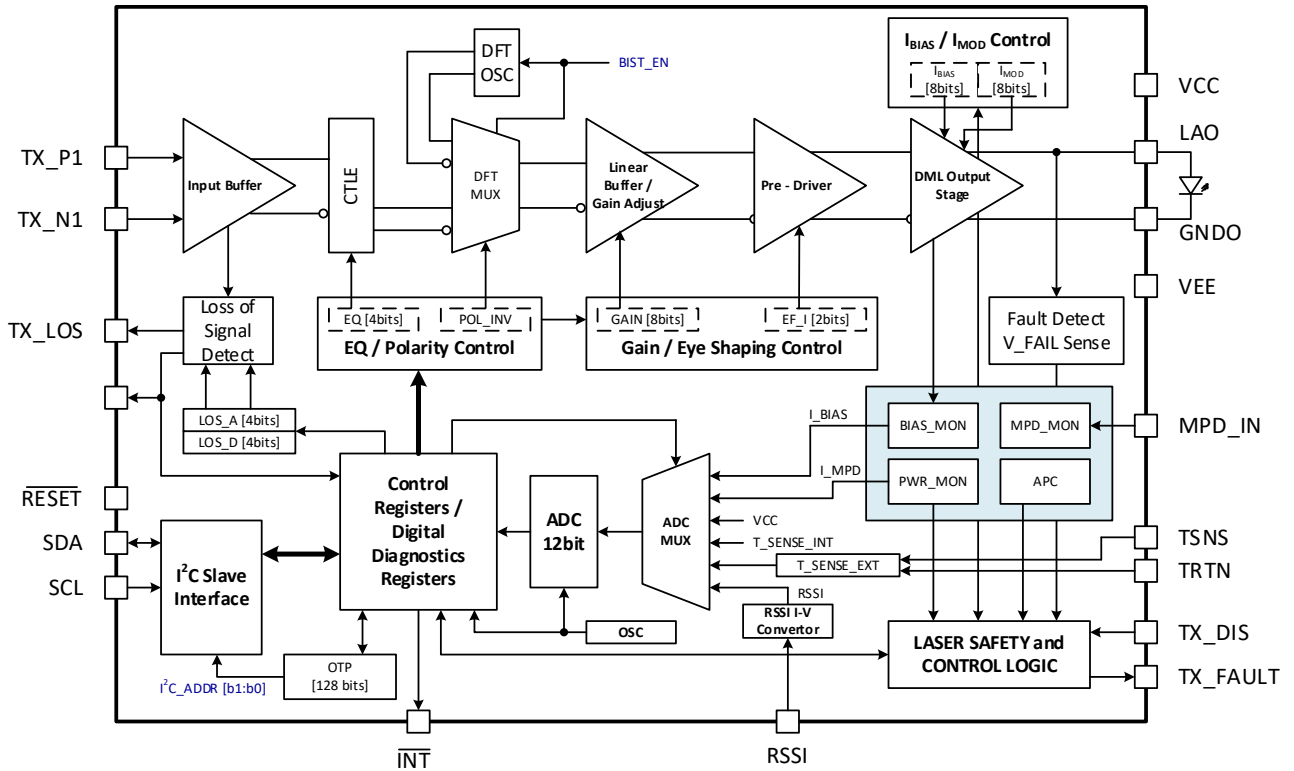


Figure 1. Block Diagram

## IMPORTANT NOTICE AND DISCLAIMER

RENESAS ELECTRONICS CORPORATION AND ITS SUBSIDIARIES (“RENESAS”) PROVIDES TECHNICAL SPECIFICATIONS AND RELIABILITY DATA (INCLUDING DATASHEETS), DESIGN RESOURCES (INCLUDING REFERENCE DESIGNS), APPLICATION OR OTHER DESIGN ADVICE, WEB TOOLS, SAFETY INFORMATION, AND OTHER RESOURCES “AS IS” AND WITH ALL FAULTS, AND DISCLAIMS ALL WARRANTIES, EXPRESS OR IMPLIED, INCLUDING, WITHOUT LIMITATION, ANY IMPLIED WARRANTIES OF MERCHANTABILITY, FITNESS FOR A PARTICULAR PURPOSE, OR NON-INFRINGEMENT OF THIRD PARTY INTELLECTUAL PROPERTY RIGHTS.

These resources are intended for developers skilled in the art designing with Renesas products. You are solely responsible for (1) selecting the appropriate products for your application, (2) designing, validating, and testing your application, and (3) ensuring your application meets applicable standards, and any other safety, security, or other requirements. These resources are subject to change without notice. Renesas grants you permission to use these resources only for development of an application that uses Renesas products. Other reproduction or use of these resources is strictly prohibited. No license is granted to any other Renesas intellectual property or to any third party intellectual property. Renesas disclaims responsibility for, and you will fully indemnify Renesas and its representatives against, any claims, damages, costs, losses, or liabilities arising out of your use of these resources. Renesas' products are provided only subject to Renesas' Terms and Conditions of Sale or other applicable terms agreed to in writing. No use of any Renesas resources expands or otherwise alters any applicable warranties or warranty disclaimers for these products.

(Rev.1.0 Mar 2020)

### Corporate Headquarters

TOYOSU FORESIA, 3-2-24 Toyosu,  
Koto-ku, Tokyo 135-0061, Japan  
[www.renesas.com](http://www.renesas.com)

### Contact Information

For further information on a product, technology, the most up-to-date version of a document, or your nearest sales office, please visit:  
[www.renesas.com/contact/](http://www.renesas.com/contact/)

### Trademarks

Renesas and the Renesas logo are trademarks of Renesas Electronics Corporation. All trademarks and registered trademarks are the property of their respective owners.

## IMPORTANT NOTICE AND DISCLAIMER

RENESAS ELECTRONICS CORPORATION AND ITS SUBSIDIARIES (“RENESAS”) PROVIDES TECHNICAL SPECIFICATIONS AND RELIABILITY DATA (INCLUDING DATASHEETS), DESIGN RESOURCES (INCLUDING REFERENCE DESIGNS), APPLICATION OR OTHER DESIGN ADVICE, WEB TOOLS, SAFETY INFORMATION, AND OTHER RESOURCES “AS IS” AND WITH ALL FAULTS, AND DISCLAIMS ALL WARRANTIES, EXPRESS OR IMPLIED, INCLUDING, WITHOUT LIMITATION, ANY IMPLIED WARRANTIES OF MERCHANTABILITY, FITNESS FOR A PARTICULAR PURPOSE, OR NON-INFRINGEMENT OF THIRD PARTY INTELLECTUAL PROPERTY RIGHTS.

These resources are intended for developers skilled in the art designing with Renesas products. You are solely responsible for (1) selecting the appropriate products for your application, (2) designing, validating, and testing your application, and (3) ensuring your application meets applicable standards, and any other safety, security, or other requirements. These resources are subject to change without notice. Renesas grants you permission to use these resources only for development of an application that uses Renesas products. Other reproduction or use of these resources is strictly prohibited. No license is granted to any other Renesas intellectual property or to any third party intellectual property. Renesas disclaims responsibility for, and you will fully indemnify Renesas and its representatives against, any claims, damages, costs, losses, or liabilities arising out of your use of these resources. Renesas' products are provided only subject to Renesas' Terms and Conditions of Sale or other applicable terms agreed to in writing. No use of any Renesas resources expands or otherwise alters any applicable warranties or warranty disclaimers for these products.

(Rev.1.0 Mar 2020)

### Corporate Headquarters

TOYOSU FORESIA, 3-2-24 Toyosu,  
Koto-ku, Tokyo 135-0061, Japan  
[www.renesas.com](http://www.renesas.com)

### Contact Information

For further information on a product, technology, the most up-to-date version of a document, or your nearest sales office, please visit:  
[www.renesas.com/contact/](http://www.renesas.com/contact/)

### Trademarks

Renesas and the Renesas logo are trademarks of Renesas Electronics Corporation. All trademarks and registered trademarks are the property of their respective owners.