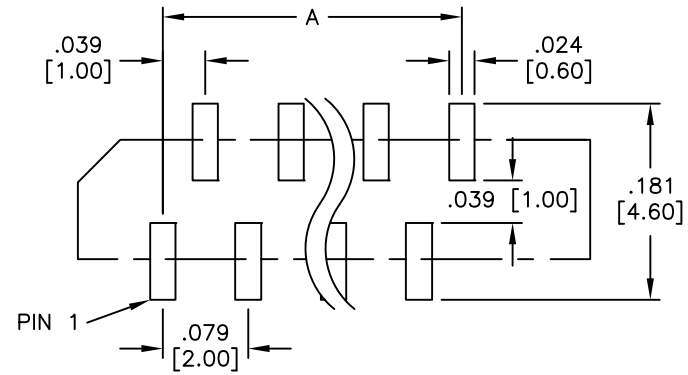
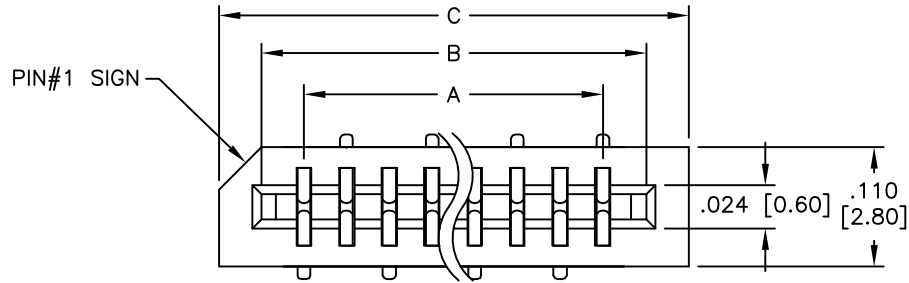
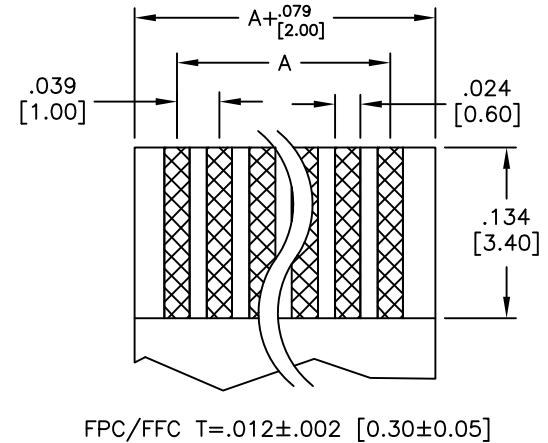
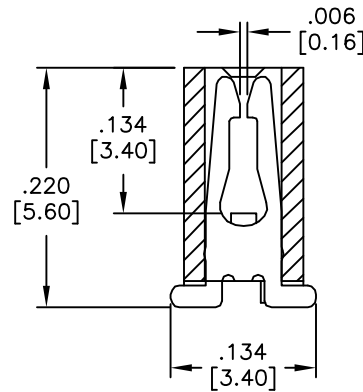
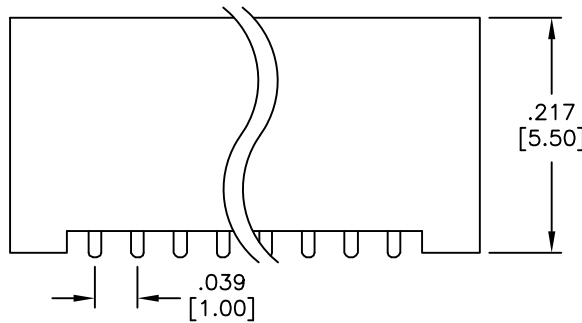


APPROVED: _____
 DATE: _____ TITLE: _____

Rev	AWO #	Description	Date	Appr
-		RELEASED	3/23/05	
A		REDRAWN	7/25/12	



RECOMMENDED PCB LAYOUT



FPC/FFC T=.012±.002 [0.30±0.05]

SPECIFICATIONS:

Material:
 Insulator: Hi-temp thermoplastic, rated UL 94V-0
 Insulator color: Black
 Contacts: Phosphor Bronze
 Plating:
 Tin over Nickel underplate overall
 Electrical:
 Current rating: 0.5 Amp
 Contact resistance: 30 mohms max
 Insulation resistance: 1000 Mohms min
 Dielectric withstanding voltage: 500 VAC for 1 minute
 Temperature Rating:
 Operating temperature: -55°C to +85°C
 Environmental:
 Lead free, RoHS compliant



Positions: 3 thru 30

A = .039 [1.00] x No. of Spaces
 B = A + .083 [2.10]
 C = A + .157 [4.00]

UNLESS OTHERWISE SPECIFIED
 ALL DIMENSIONS ARE INCHES [MM]
 TOLERANCES: EXCEPT AS NOTED

INCHES	HOLES
.X ± .10	∅X ± .10
.XX ± .020	∅XX ± .015
.XXX ± .015	∅XXX ± .010

ADAM TECH

909 Rahway Avenue, Union, NJ 07083
 Phone: 908-687-5000 Fax: 908-687-5710

APPROVALS		DATE
DRAWN	SS	3/23/05
CHECKED	AY	7/28/10
APPROVED		

TITLE LIF FLEX CIRCUIT CONNECTOR TOP ENTRY, SMT		
SIZE X	PART NO. PCB-C-XX-T-SMT	REV. A
REF: S00043T	SCALE: NTS	SHEET 1 OF 1