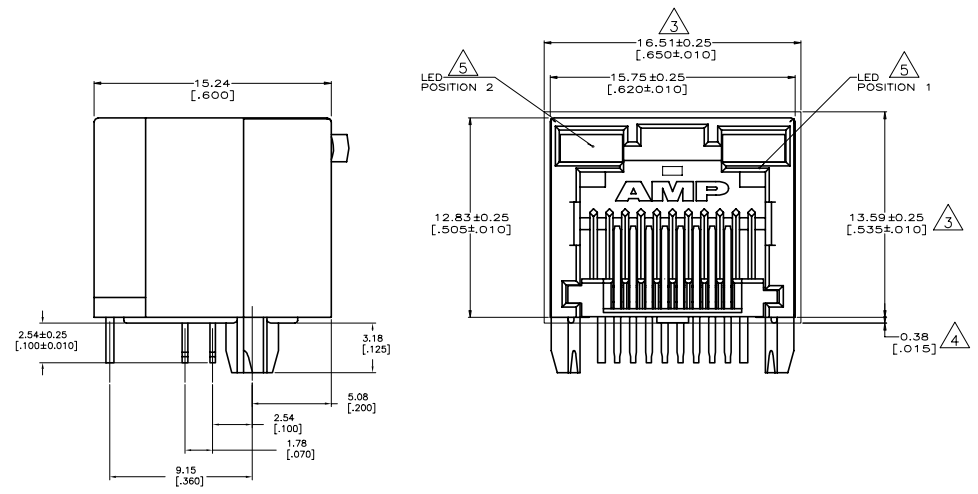
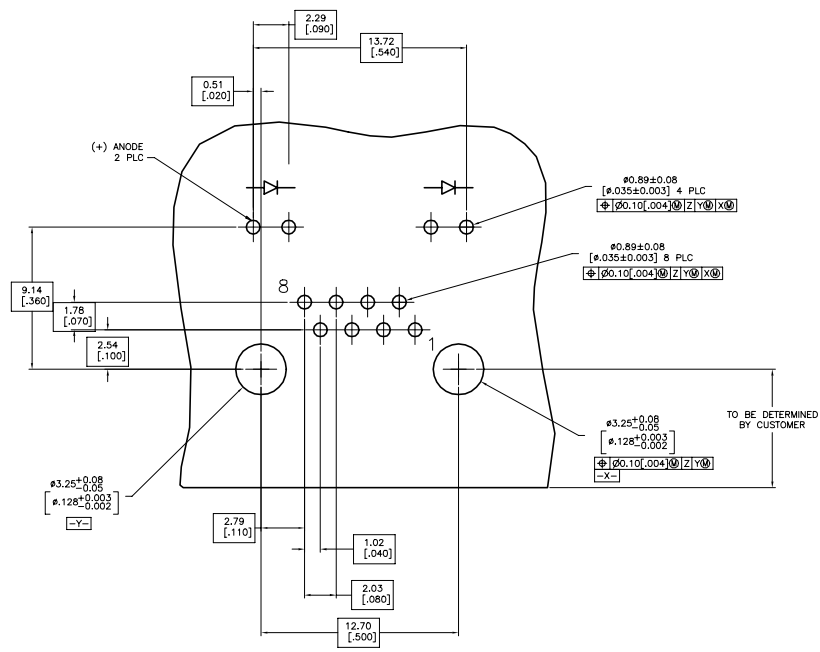


REVISIONS				
TR	LN	DESCRIPTION	DATE	BY / APPR
G2	ECO-18-014918		29AUG2020	RR / SH



- MATERIAL:
HOUSING - HIGH TEMPERATURE THERMOPLASTIC, COLOR: BLACK, UL94V-0.
TERMINALS - 0.36[.014] THICK PHOS BRONZE PLATED WITH 3.81µm[.000150] MINIMUM THICK BRIGHT TIN LEAD IN SOLDER AREA. 1.27µm [0.000050] MINIMUM GOLD IN LOCALIZED PLATE AREA. ENTIRE TERMINAL PLATED WITH 1.27µm [0.000050] MINIMUM THICK NICKEL.
LIGHT EMITTING DIODE (LED) - DIFFUSED EPOXY LENS, .51 x .51[.020 x .020] CARBON STEEL WIREFRAME LEADS PLATED WITH 8.89µm[.000350] TIN/COPPER OVER 2.03µm[.000080] SILVER OVER 1.02µm[.000040] NICKEL UNDERPLATE OVER 2.03µm[.000080] COPPER UNDERPLATE.
 - JACK CAVITY CONFORMS TO FCC RULES AND REGULATIONS PART 68, SUBPART F.
- △ SUGGESTED PANEL OPENING DIMENSIONS.
 - △ SUGGESTED CLEARANCE BETWEEN BOTTOM OF CONNECTOR AND BOTTOM PANEL OPENING.
 - △ SEE TABLE FOR COLOR OF LEDS AND NUMBER REQUIRED.
- THIS MODULAR JACK WITH INTEGRATED LED IS NOT IR REFLOW SOLDERING PROCESS COMPATIBLE.
 - OBSOLETE PARTS: OBSOLETE CIS STREAMLINING PER D.RENAUD/D.SINISI

-Z-



RECOMMENDED PRINTED CIRCUIT BOARD LAYOUT (COMPONENT SIDE)

INDICATOR COLOR	PART NUMBER	
	POSITION 2	POSITION 1
GREEN	-	1-406533-7
GREEN	RED/GREEN	1-406533-0
YELLOW	YELLOW	406533-6
YELLOW	-	406533-3
-	GREEN	406533-2
YELLOW	GREEN	406533-1

THIS DRAWING IS A CONTROLLED DOCUMENT. DATE: 17SEP97. BY: SPRINKLE. 17SEP97. NAME: TE Connectivity.

TE CONNECTIVITY

INVERTED MODULAR JACK ASSEMBLY, 1X1, LED

114-2154

0.000000

100779

SCALE: 8:1

SHEET 1 OF 1

REV G2