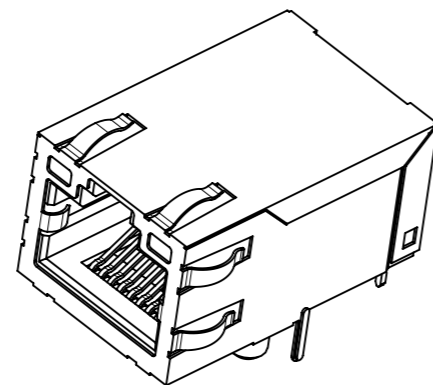


NOTES:

- MATERIAL:  
METAL SHELL: BRASS  
HOUSING: POLYAMIDE, GLASS FIBER FILLED, UL94 V-0, COLOR BLACK  
INSERT: POLYAMIDE, GLASS FIBER FILLED, UL94 V-0, COLOR BLACK  
TERMINAL: PHOSPHOR BRONZE
- PLATING:  
TERMINAL:  
CONTACT AREA: GOLD(Au), THICKNESS=50 MICROINCH/1.27 MICROMETER  
SOLDER TAIL: TIN(Sn), THICKNESS=100 MICROINCH MINIMUM  
UNDER PLATE: NICKEL (Ni).  
METAL SHELL:  
SOLDER TAIL: TIN(Sn), THICKNESS=100 MICROINCH MINIMUM  
UNDER PLATE: NICKEL (Ni), (SOLDERING AVAILABLE)  
SURFACE APPEARANCE: BRIGHT.
- RECOMMENDED PCB THICKNESS: 1.60±0.05
- PRODUCT SPECIFICATION REFER TO PS-48025-005
- TEST SUMMARY REFER TO TS-48025-009
- PACKAGING SPECIFICATION REFER TO PK-48025-001
- LEAD FREE AND RoHS COMPLIANT PRODUCT.

P/N	LED COLOR	
	LEFT	RIGHT
48025-1090	GREEN	GREEN
48025-1190	GREEN	YELLOW



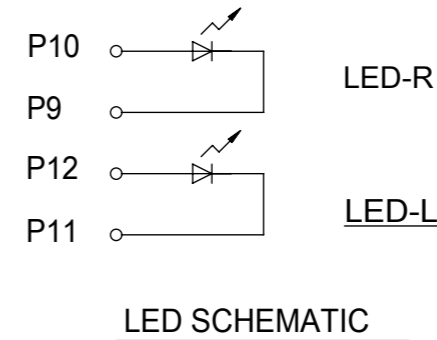
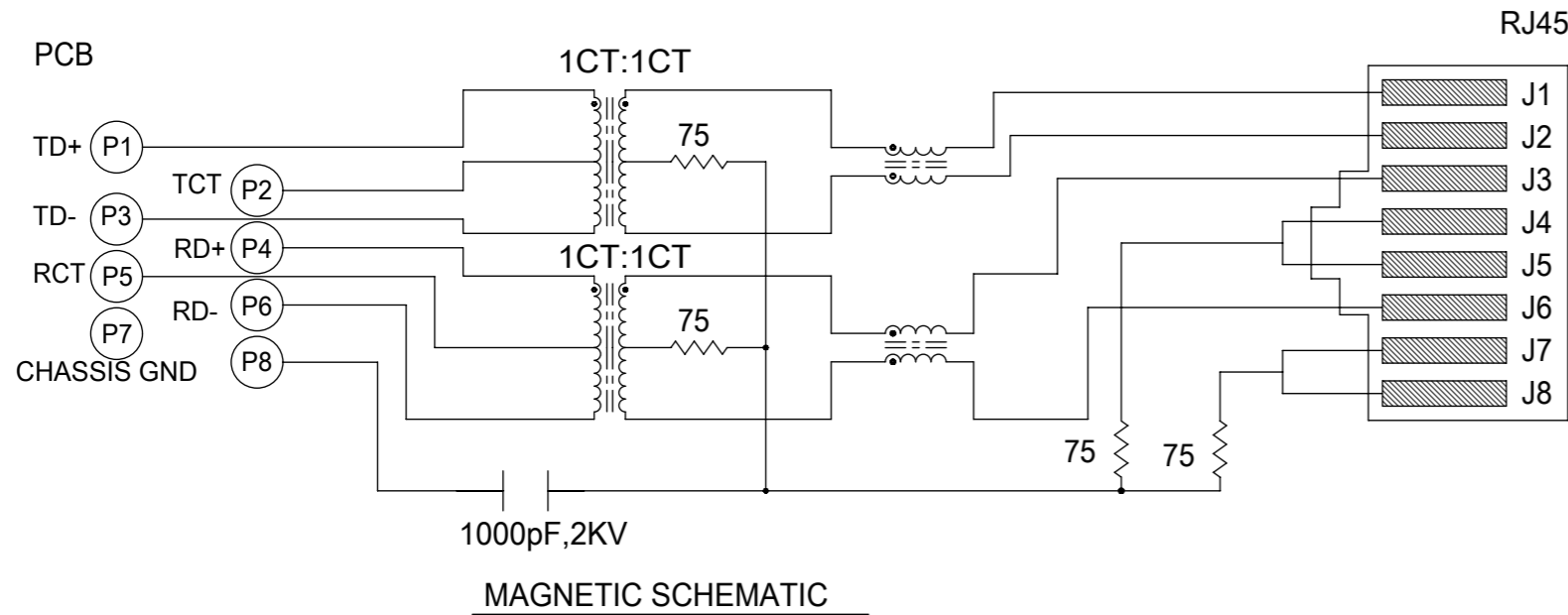
SYMBOLS	THIS DRAWING CONTAINS INFORMATION THAT IS PROPRIETARY TO MOLEX ELECTRONIC TECHNOLOGIES, LLC AND SHOULD NOT BE USED WITHOUT WRITTEN PERMISSION		CURRENT REV DESC:			<b>molex</b>				
DIMENSION UNITS	SCALE									
▽ = 0	mm	1:1								
▽ = 0	GENERAL TOLERANCES (UNLESS SPECIFIED)									
▽ = 0	ANGULAR TOL ± 3.0°									
▽ = 0	4 PLACES	±	EC NO: 637574		2019/08/30		MODULAR JACK WITH INTEGRATED MAGNETICS WITH LED			
▽ = 0	3 PLACES	±	DRWN: CCHEN103		2020/05/28					
▽ = 0	2 PLACES	± 0.25	CHK'D: SHLENI		2020/05/28		PRODUCT CUSTOMER DRAWING			
▽ = 0	1 PLACE	± 0.25	APPR: SHLENI		2020/05/28					
▽ = 0	0 PLACES	±	INITIAL REVISION:				DOCUMENT NUMBER			
▽ = 0	DRAFT WHERE APPLICABLE MUST REMAIN WITHIN DIMENSIONS		DRWN: ALLIN		2006/10/04		SD-48025-009			
▽ = 0			APPR: WWSCHANG		2006/10/04		DOC TYPE DOC PART REVISION			
			THIRD ANGLE PROJECTION		DRAWING		SERIES		MATERIAL NUMBER	
			A3-SIZE		48025		CUSTOMER		SHEET NUMBER	
			SEE SHART		GENERAL MARKET		1 OF 2			

MAGNETIC ELECTRICAL SPECIFICATIONS:

- 1.0 TURNS RATIO:(P4-P5-P6):(J3-J6):1CT:1CT  
(P3-P2-P1):(J1-J2):1CT:1CT
- 2.0 INDUCTANCE:(P4-P6):350uH MIN. @0.1V,100KHz,8mA DC Bias.  
(P3-P1):350uH MIN. @0.1V,100KHz,8mA DC Bias.
- 3.0 LEAKAGE INDUCTANCE:P6-P5-P4(WITH J6 AND J3 SHORT):0.3 MAX.@1MHz.  
P3-P2-P1(WITH J2 AND J1 SHORT):0.3 MAX.@1MHz.
- 4.0 INTERWINDING CAPACITANCE:(P6,P5,P4) TO (J6,J3):30pf MAX @1MHz.  
(P3,P2,P1) TO (J2,J1):30pf MAX @1MHz.
- 5.0 DC RESISTANCE:(J6-J3)=(J2-J1):1.3 ohms Max.
- 6.0 RETURN LOSS:(P4-P6)(P1-P3)  
1MHz TO 30MHz:18dB min.  
30MHz TO 80MHz:12dB min.
- NOTE:100 OHMS CONNECTED TO (J2-J1) OR (J3-J6).
- 7.0 HI-POT:(J1,J2) TO (P1,P3):1500 VAC OR 2250 VDC.  
(J3,J6) TO (P4,P6):1500 VAC OR 2250 VDC.
- 8.0 INSERTION LOSS:1.1 dB MAX.  
100KHz TO 100MHz.
- 9.0 CROSS TALK:1-100 MHz:30 dB MIN.
- 10.0 COMMON TO COMMON MODE REJECTION:1MHz TO 100MHz:35 dB MIN.

LED ELECTRICAL SPECIFICATION

PARAMETER	YELLOW (TYP.)	GREEN (TYP.)	UNITS	TEST CONDITIONS
POWER DISSIPATION	105	105	mW	
REVERSE VOLTAGE	5	5	V	
PEAK WAVELENGTH	585	565	nm	IF=20mA
FORWARD VOLTAGE	2.1 MAX.=2.5	2.2 MAX.=2.5	v	IF=20mA



SYMBOLS		THIS DRAWING CONTAINS INFORMATION THAT IS PROPRIETARY TO MOLEX ELECTRONIC TECHNOLOGIES, LLC AND SHOULD NOT BE USED WITHOUT WRITTEN PERMISSION		CURRENT REV DESC:		molex	
▽ = 0	mm	SCALE	1:1	EC NO: 637574		MODULAR JACK WITH INTEGRATED MAGNETICS WITH LED	
▽ = 0	GENERAL TOLERANCES (UNLESS SPECIFIED)			DRWN: CCHEN103 2019/08/30		PRODUCT CUSTOMER DRAWING	
▽ = 0	ANGULAR TOL ± 3.0°			CHK'D: SHLENI 2020/05/28		DOCUMENT NUMBER	
▽ = 0	4 PLACES ±			APPR: SHLENI 2020/05/28		SD-48025-009	
▽ = 0	3 PLACES ±			INITIAL REVISION:		DOC TYPE	
▽ = 0	2 PLACES ± 0.25			DRWN: ALLIN 2006/10/04		DOC PART	
▽ = 0	1 PLACE ± 0.25			APPR: WWSCHANG 2006/10/04		REVISION	
▽ = 0	0 PLACES ±			DRAFT WHERE APPLICABLE MUST REMAIN WITHIN DIMENSIONS		D1	
▽ = 0	THIRD ANGLE PROJECTION			DRAWING		SHEET NUMBER	
▽ = 0	A3-SIZE			SERIES		2 OF 2	
DOCUMENT STATUS		P1		RELEASE DATE		2020/05/28 00:36:58	
MATERIAL NUMBER		CUSTOMER		SEE SHART		GENERAL MARKET	