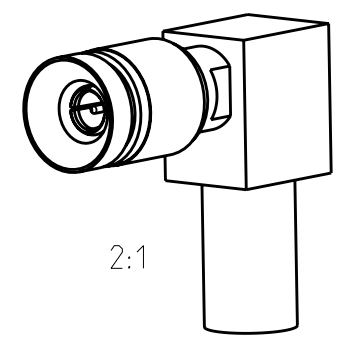
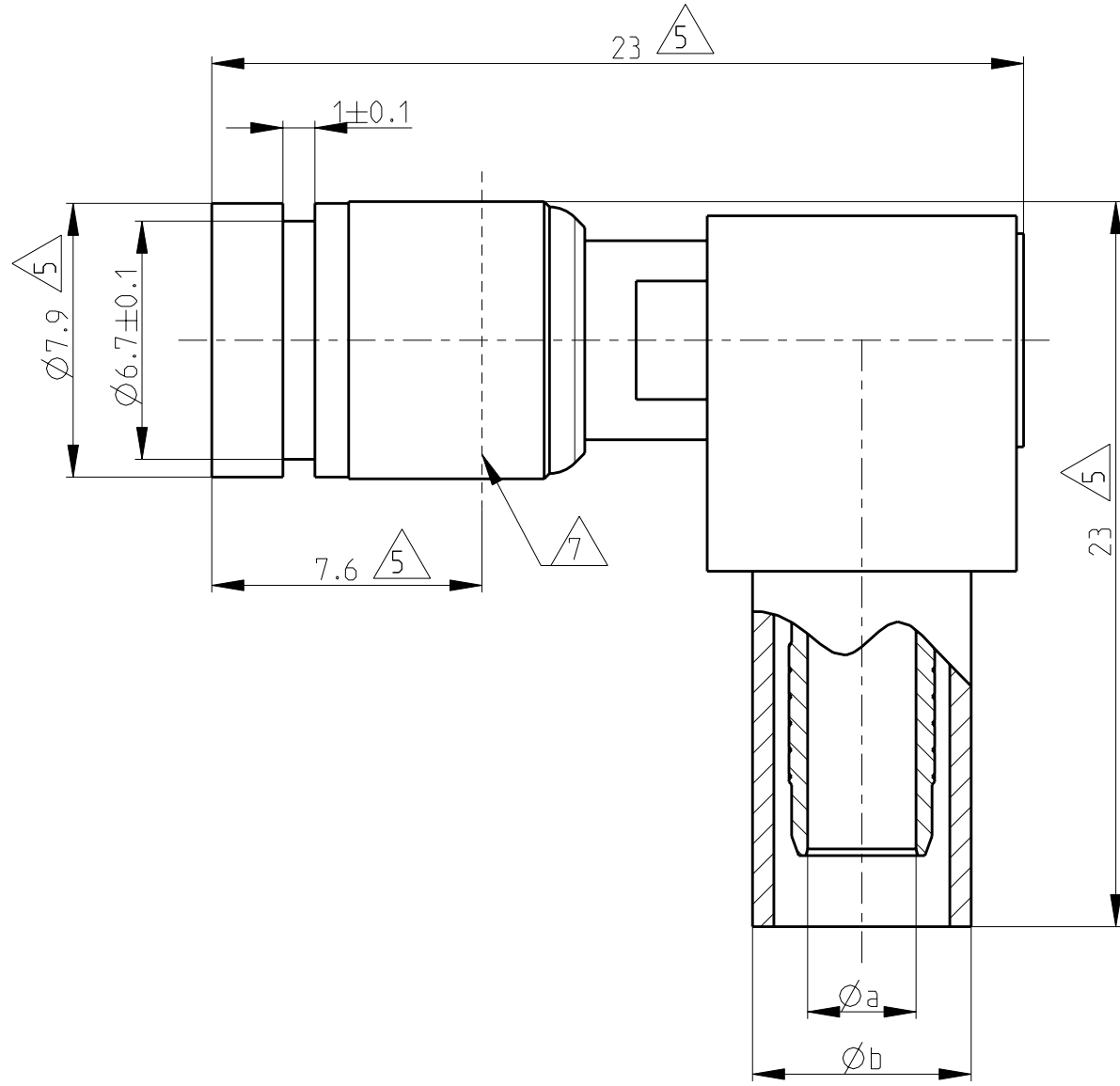


THIS DRAWING IS UNPUBLISHED. RELEASED FOR PUBLICATION  
 © COPYRIGHT - BY TYCO ELECTRONICS CORPORATION. ALL RIGHTS RESERVED.

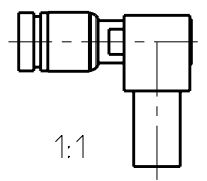
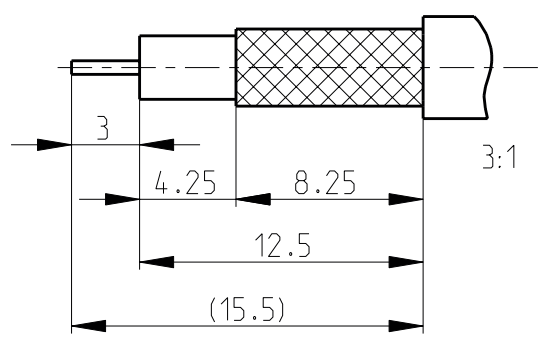
LOC	DIST	REVISIONS			
P	LTR	DESCRIPTION	DATE	DWN	APVD
IS	-				
	0	-	16FEB2005	FH	RL
	A	Released	24MAY2006	AN	DB



- 1) Dimensions of mating face according to IEC 169-29 and CECC 22230.
- 2) Contact part: Copper Beryllium.  
Contact surface: Gold.  
Insulation parts: PTFE.
- 3) Center conductor: soldered.  
Outer conductor: crimped (for crimp die see table).
- 4) Packaging: multi packaging per 100 pieces.

- △5 Max. dimensions.
- △6 DIN ISO 8015: DIN ISO 2768 m-R.
- △7 Mechanical reference plane

STRIPPING DIMENSIONS



1460817-1	RA-7000	3.05	6.1	5.18
Tyco P/N	Cable type	Dim a	Dim b	Crimp hex

<small>THIS DRAWING IS A CONTROLLED DOCUMENT FOR TYCO ELECTRONICS CORPORATION. IT IS SUBJECT TO CHANGE AND THE CONTROLLING ENGINEERING ORGANIZATION SHOULD BE CONTACTED FOR THE LATEST REVISION.</small>		DWN F.Hellin 16FEB2005 CHK F.Hellin 16FEB2005 APVD R.Leeman PRODUCT SPEC APPLICATION SPEC WEIGHT -	<b>tyco</b> <b>Electronics</b> tyco Electronics CH - Switzerland - Lugano
DIMENSIONS: mm 	TOLERANCES UNLESS OTHERWISE SPECIFIED: 0 PLC ± 1 PLC ± 2 PLC ± 3 PLC ± 4 PLC ± ANGLES ± FINISH see table	NAME Right Angle Cable Plug 1.0/2.3 Snap-lock, Z=75 Ohm	
MATERIAL see table	FINISH see table	SIZE A3 CAGE CODE 00779 DRAWING NO. 1460817	RESTRICTED TO -
CUSTOMER DRAWING		SCALE 5:1	SHEET 1 OF 1 REV A