

LIGHTOWL® PIR AND ACOUSTIC WALL MOUNT SENSOR

CEILING AND WALL MOUNT OCCUPANCY SENSORS

FEATURES

- IntelliDAPT® self-adaptive technology—no manual adjustment required
- All-digital dual technology passive infrared (PIR) and acoustic sensor
- Non-volatile memory for sensor settings
- 1,600 square-foot coverage area
- Optional relay and photocell control
- Low voltage device: 24VDC
- 5 year warranty



RELATED PRODUCTS

- Ø [Occupancy Sensor Accessories](#)
- Ø [Universal Voltage Power Packs](#)
- Ø [Heavy Duty Universal Voltage Power Packs](#)
- Ø [MPSHD Pack](#)
- Ø [MP347A Power Pack](#)

SPECIFICATIONS

CONSTRUCTION

- Casing - Rugged, high-impact, injection-molded plastic KJB ABS Cynolac (UL-945VA) flam class rating, UV inhibitors
- Color-coded leads are 6" long (152.4mm)
- 5.0 oz. (142g)
- Off-white
- Red-Infrared motion
- Green-acoustic detection
- Dual-element pyrometer and 12-element cylindrical rugged lens

MOUNTING

- Mounting base provided
- Recommended MAX mounting height: 12ft. (3.66m)

ELECTRICAL

- 24VDC, 33 mA (uses UVPP and MP-Series power pack—not included)
- 24VDC active high-logic control signal with short circuit protection and optional dry contact output

OPERATIONS

- IntelliDAPT
 - Auto reset from test setting
 - Self-adjusting timer
 - Self-adjusting passive infrared and acoustic thresholds
 - Automatic false-ON/false-OFF corrections certifications
- Coverage
 - 1,600 square feet coverage PR Option
- Time Settings
 - Automatic mode: 8–30 minutes (self-adjusts based on occupancy)
 - Test mode: 8 seconds (for an easy check at installation)
- RP Option
 - Relay and photocell included
 - Relay: N/O + N/C contacts; SPDT; 500 mA rated @ 24 VDC; three-wire isolated relay
 - Photocell: adjustable natural-light override ranges from 0 to 100 foot-candles (0–1,000 lux)

OPERATING ENVIRONMENT

- Indoor use only
- Operating temperature: 32° to 104°F (0° to 40°C)
- Relative humidity (non-condensing): 0% to 95%

CERTIFICATIONS

- Listed UL and cUL

WARRANTY

- 5 year warranty
- See [HLI Standard Warranty](#) for additional information

ORDERING GUIDE

Example: LODIA

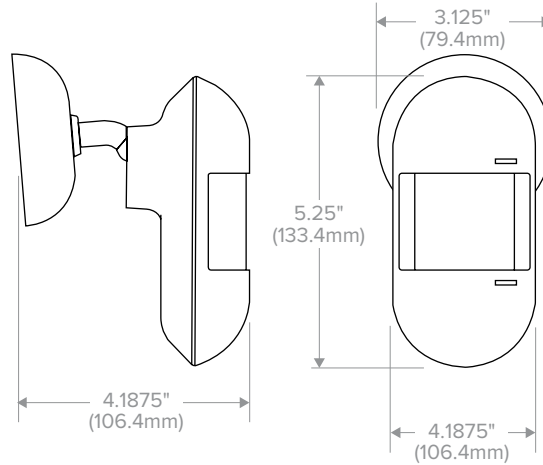
CATALOG #

LO	DIA	-	
Series	Technology		Relay/Photocell Option
LO	DIA	Passive Infrared and Acoustic	RP Relay Photocell Blank No Relay Photocell

LIGHTOWL® PIR AND ACOUSTIC WALL MOUNT SENSOR

CEILING AND WALL MOUNT OCCUPANCY SENSORS

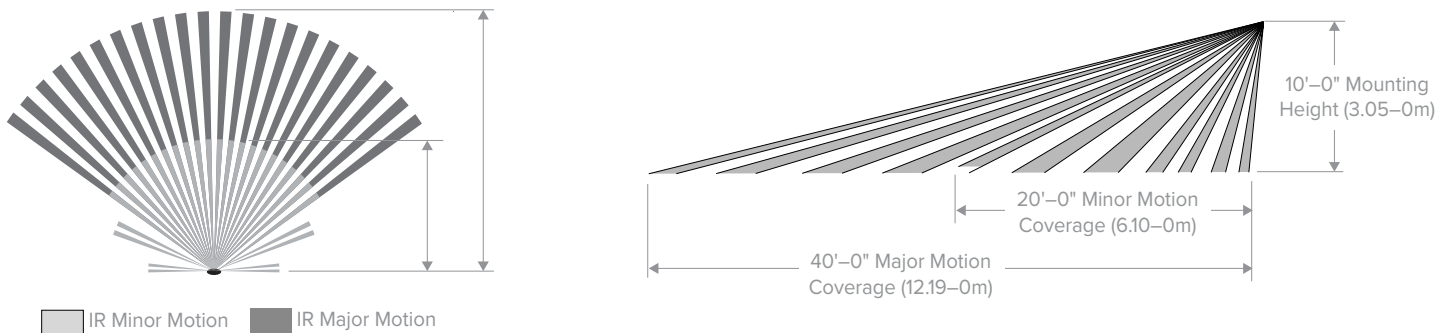
DIMENSIONS



ACOUSTIC LOCATED BEHIND COVER

ADDITIONAL INFORMATION

Coverage Patterns



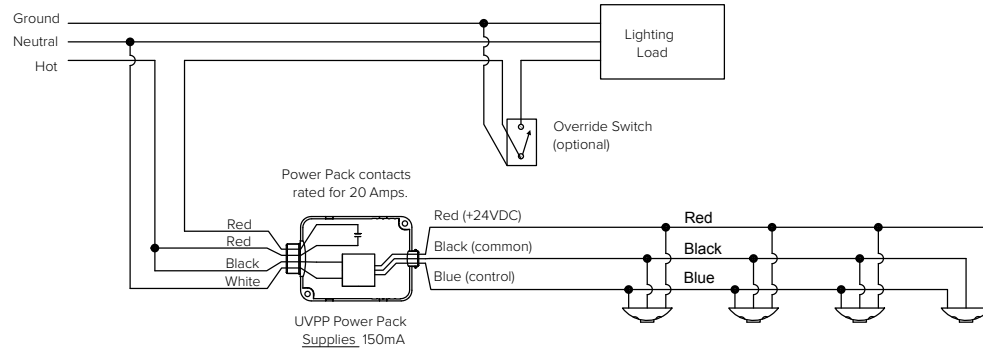
All product and company names, logos and product identifiers are trademarks™ or registered trademarks® of Hubbell Lighting, Inc. or their respective owners. Use of them does not necessarily imply any affiliation with or endorsement by such respective owners.

LIGHTOWL® PIR AND ACOUSTIC WALL MOUNT SENSOR

CEILING AND WALL MOUNT OCCUPANCY SENSORS

ADDITIONAL INFORMATION (CONTINUED)

Wiring Diagrams

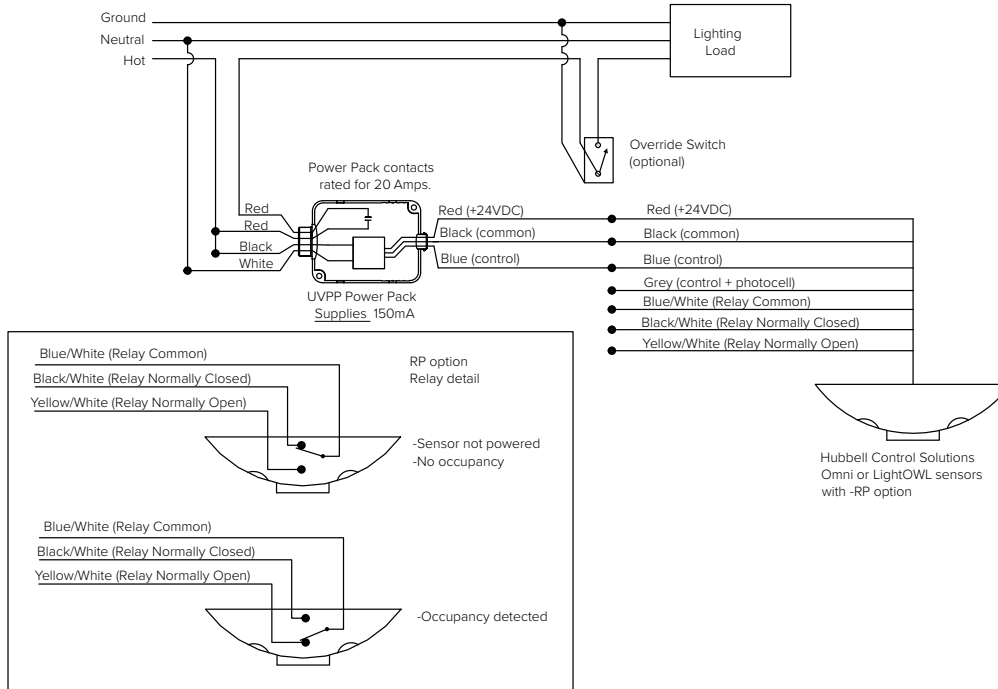


Hubbell Control Solutions
Low Voltage Sensors (devices)
Requires 33mA each

NOTE:

- DO NOT attempt to power more than 4 devices, be it sensors or slave packs, from a single power pack.

1 Circuit with up to 4 Sensors and UVPP



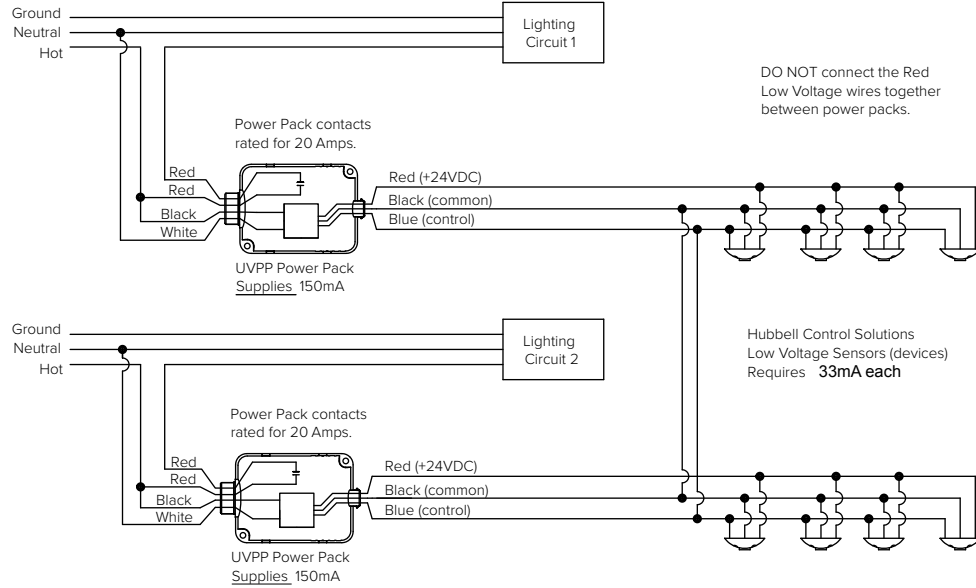
1 Circuit with up to 4 Sensors and UVPP

LIGHTOWL® PIR AND ACOUSTIC WALL MOUNT SENSOR

CEILING AND WALL MOUNT OCCUPANCY SENSORS

ADDITIONAL INFORMATION (CONTINUED)

Wiring Diagrams



NOTES:

1. Lighting load turns on when at least one sensor detects motion
2. DO NOT attempt to power more than 4 devices, be it sensors or slave packs, from a single power pack
3. No more than 4 power packs should be connected in this way

1 Circuit with RP Option Wiring