

| REVISIONS | | | | | |
|-----------|-----|------------------------------|----------|----|------|
| REV | ECO | DESCRIPTION | DATE | BY | APPR |
| A1 | - | TECHNICAL DATA SHEET RELEASE | - | - | - |
| A2 | - | ADDED DESCRIPTION | 10/27/17 | - | - |

TECHNICAL DATA:

1) MATERIALS:

CONNECTOR: MB2CKN0900 CHECKMATE
 OVERMOLD: TPE
 CABLE: KA-56645

2) ELECTRICAL:

INSULATION RESISTANCE (MIN): 5000M OHMS
 DIELECTRIC TEST VOLTAGE: 2200V

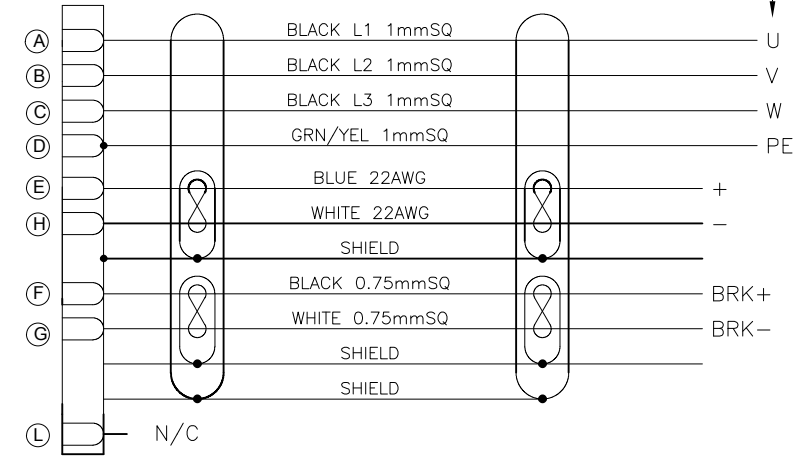
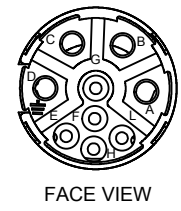
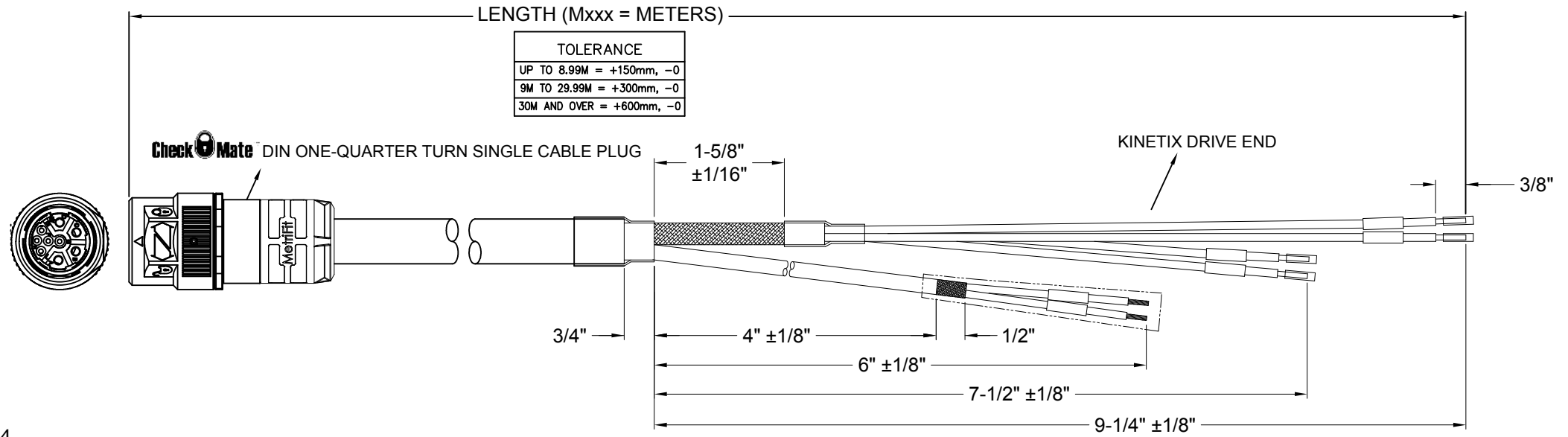
3) MECHANICAL:

TEMPERATURE RANGE: -40°C TO 105°C
 PROTECTION: IP67 (MATED CONDITION)
 MATING CYCLES: >500
 VIBRATION RESISTANCE PER MIL-STD-202 METHOD 204
 THERMAL SHOCK PER MIL-STD-202 METHOD 207
 48 HOUR SALT SPRAY PER MIL-STD-202 METHOD 101

4) CABLE SPECIFICATIONS:

- NOMINAL O.D., 0.47" (11.9MM), JACKET COLOR: ORANGE DESINA RAL 2003, JACKET MATERIAL: POLYURETHANE (PUR).
 - Electrical Resistance at 20°C: ≤ 59,0 Ω/km (Section 0,34mm²)
 - ≤ 26,0 Ω/km (Section 0,75mm²)
 - ≤ 19,5 Ω/km (Section 1,00mm²)
 - Insulation Resistance 20°C: ≤ 500 MΩxkm
 - Test Voltage: 3 kVa.c.
 - Operating Voltage: 1000Va.c.
 - Capacitance 800 ÷ 1000Hz: 45 ± 15 pF/m - (2xAWG22)ST/SN (BUS)
 - Characteristic Impedance at 10MHz: 110 ± 10 Ω - (2xAWG22)ST/SN (BUS)
 - Capacitance 800 ÷ 1000Hz: ≤ 90 pF/m (Conductor/Conductor) 4x1mm²
 - ≤ 150 pF/m (Conductor/Shield) 4x1mm²
 - Temperature Range: -40°C to +80°C (static, dynamic and storage)
 - Minimum Bending Radius: 5 x Ø (Static Use) - 7 x Ø (Dynamic Use)
 - Max Speed: 300 m/min
 - Max Acceleration: 50 m/s²
 - Max Torsion: ± 30°/m
 - Chain length: 20m
 - Max Number of cycles: 5,000,000
- Flame Resistance:
- CEI 20-35-1-2, EN 50265-1-2, IEC 60332-1-2, UL VW-1, CSA FT1
- Halogen Free:
- CEI 20-37, EN 50267-2-1, IEC 60754-1
- Hydrocarbons and oil resistance:
- UL1581, VDE 0472 part 803 A/B, HD 22.10 S1, CNOMO E.03.40.150N

5) RoHS COMPLIANT



| ROCKWELL P/N | AMPHENOL P/N |
|---------------------|--------------|
| 2090-CSBM1DF-18AAxx | P30627-Mxx |
| 2090-CSBM1DF-18AA03 | P30627-M3 |
| 2090-CSBM1DF-18AA05 | P30627-M5 |
| 2090-CSBM1DF-18AA09 | P30627-M9 |
| 2090-CSBM1DF-18AA10 | P30627-M10 |
| 2090-CSBM1DF-18AA15 | P30627-M15 |
| 2090-CSBM1DF-18AA20 | P30627-M20 |

| QUANTITY | PART NUMBER | DESCRIPTION | ITEM |
|--------------------------------------|-------------|--|------|
| MATERIALS LIST | | | |
| UNLESS OTHERWISE SPECIFIED | | Amphenol | |
| 1) All dimensions are in metric(mm). | | Sine Systems - www.sineco.com 44724 Morley Drive Clinton Township, MI 48036 | |
| 2) Tolerances are as follows: | | SINGLE MOTOR CABLE, M23 CHECKMATE, 1000V HYBRID CABLE WITH 4 POWER (18AWG), 2 FEEDBACK (DIGITAL COMMUNICATION) AND 2 BRAKE CONDUCTORS, DRIVE-END FLYING LEADS | |
| 1 PL DEC ±0.30 | | | |
| 2 PL DEC ±0.15 | | | |
| 3 PL DEC ±0.08 | | SIZE: C- TYPE: DWG NO: P30627-Mxx REVISION: A2 | |
| 3) Note reference = X | | SCALE: NONE SHEET 1 OF 1 | |
| MATERIAL SPECIFICATIONS: | | CUSTOMER: | |
| PROCESS SPECIFICATIONS: | | THIS DRAWING IS SUPPLIED FOR INFORMATION ONLY. DESIGN FEATURES, SPECIFICATIONS AND PERFORMANCE DATA SHOWN HEREON ARE THE PROPERTY OF THE AMPHENOL CORPORATION. NO RIGHTS OF REPRODUCTION ARE IMPLIED. ALL DIMENSIONS ARE SUBJECT TO NORMAL MANUFACTURING VARIATIONS. | |
| NEXT ASSY: | | C-P30627 | |



DO NOT SCALE DRAWING

TITLE: CABLE ASSEMBLY
 DWG NO: C-P30627-Mxx
 REV: A1
 SH: 1
 OF: 1