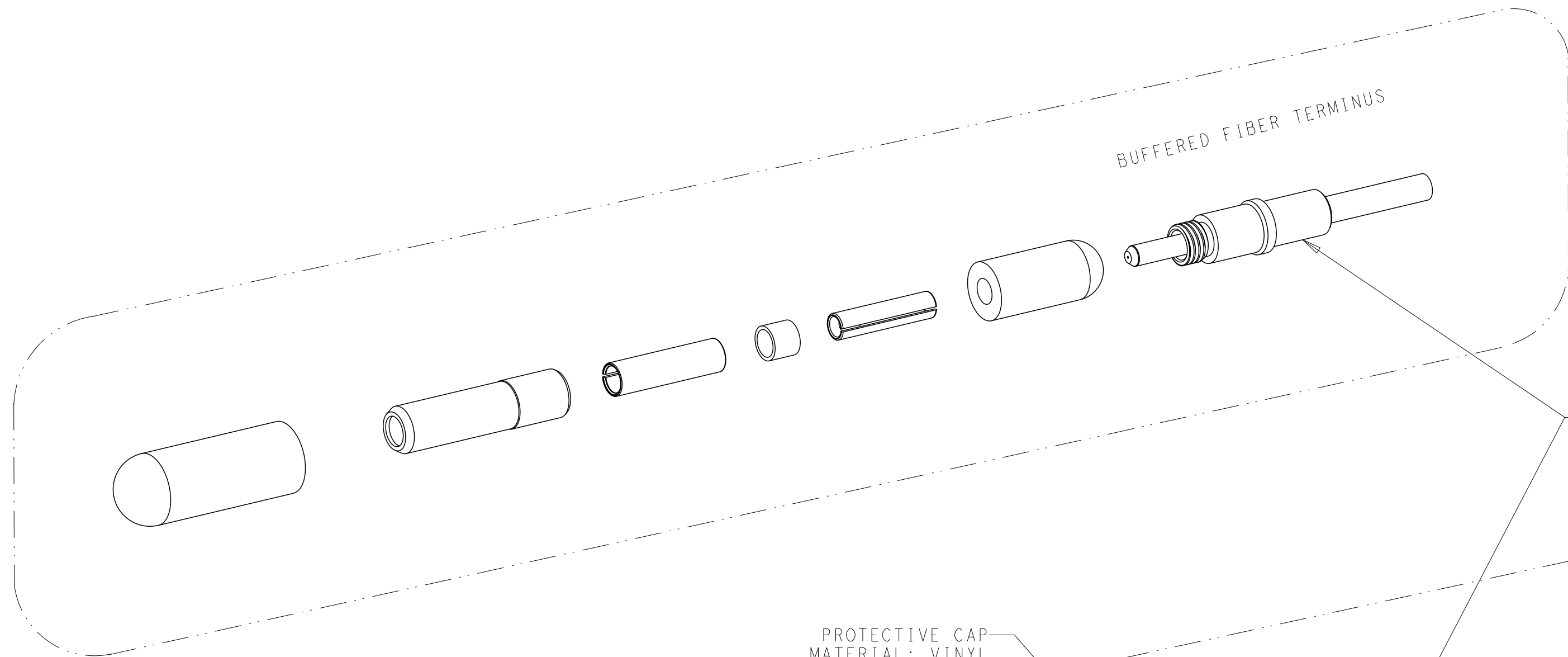
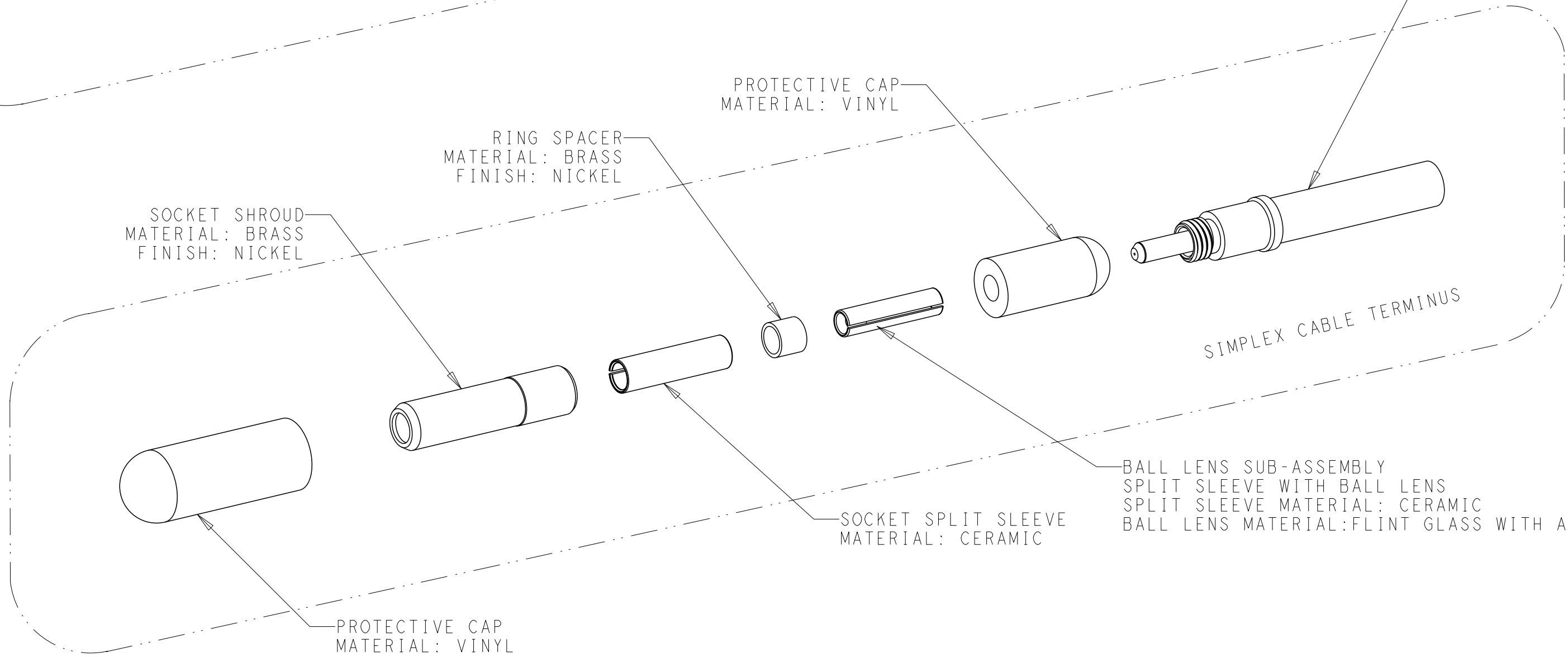


THIS DRAWING IS UNPUBLISHED. RELEASED FOR PUBLICATION 20
 © COPYRIGHT 20 BY - ALL RIGHTS RESERVED.

REVISIONS					
P	LTR	DESCRIPTION	DATE	DWN	APVD
A		RELEASED	19NOV2019	DF	SM
A1		REVISED PER ECO-20-014881	22OCT2020	LN	DW



SOCKET TERMINUS SUB-ASSEMBLY
 FERRULE WITH BASE
 BASE MATERIAL: BRASS
 BASE FINISH: NICKEL
 SOCKET FERRULE MATERIAL: CERAMIC



BALL LENS SUB-ASSEMBLY
 SPLIT SLEEVE WITH BALL LENS
 SPLIT SLEEVE MATERIAL: CERAMIC
 BALL LENS MATERIAL: FLINT GLASS WITH ANTI-REFLECTION

0.9 BUFFERED FIBER	126.0	2313256-4
0.9 BUFFERED FIBER	125.5	2313256-3
1.6-2.1 SIMPLEX CABLE	126.0	2313256-2
1.6-2.1 SIMPLEX CABLE	125.5	2313256-1
CABLE SIZE (mm)	FERRULE HOLE SIZE (µm)	PART NUMBER

THIS DRAWING IS A CONTROLLED DOCUMENT. DWN: D. FABIAN 27AUG2018

DIMENSIONS: mm	TOLERANCES UNLESS OTHERWISE SPECIFIED: 0 PLC ± 1 PLC ± 2 PLC ±0.13 3 PLC ±0.013 4 PLC ± ANGLES ±1 FINISH	CHK: - APVD: - PRODUCT SPEC: - APPLICATION SPEC: - WEIGHT: -	TE Connectivity NAME: KIT, SOCKET TERMINUS SIZE 16, EB, SM SIZE: A2 CAGE CODE: 00779 DRAWING NO: C-2313256 RESTRICTED TO: -
MATERIAL: -	-	CUSTOMER DRAWING	SCALE: 4:1 SHEET: 1 OF 1 REV: A1