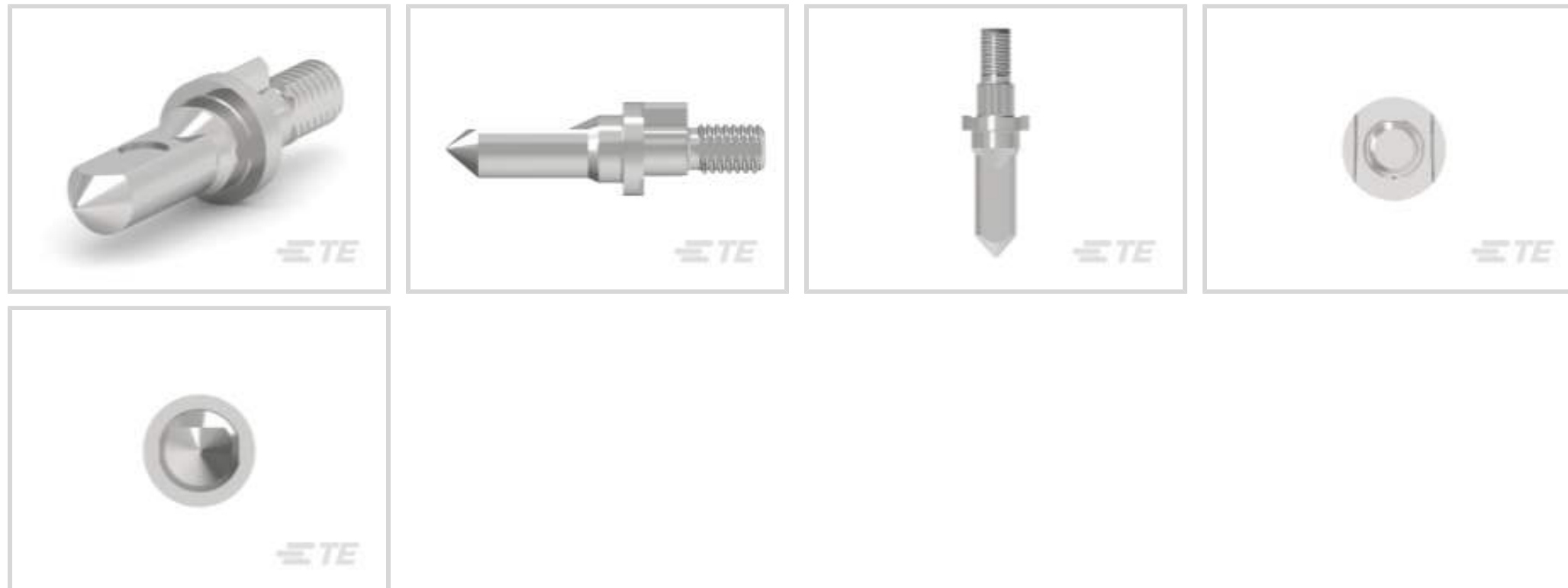




Connectors > PCB Connectors > Backplane Connectors > Backplane Guide Hardware



Connector Guide Hardware Type: **Guide Pin**

Features

Product Type Features

Connector Guide Hardware Type	Guide Pin
-------------------------------	-----------

Configuration Features

Key Orientation	90°
PCB Mount Orientation	Vertical

Body Features

Guide Component Plating Material	Silver
Guide Pin Type	External Thread
Guide Component Base Material	Zinc Alloy

Mechanical Attachment

Mating Alignment Type	Keyed
Mating Alignment	With

Dimensions

Thread Length	7.4 mm[.291 in]
Product Length	19 mm[.748 in]

Operation/Application

Compatible With Backplane Product Type	VITA 46 3U & 6U 9mm Daughtercard Guide Module
--	---

Industry Standards

VITA Standard	VITA 46
---------------	---------

Packaging Features

Packaging Quantity	1
Packaging Method	Package

Other

Connector Accessory Comment	Keyed
-----------------------------	-------

Product Compliance

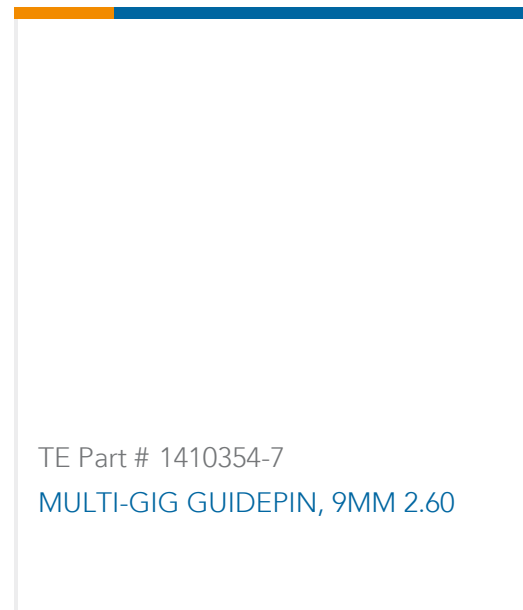
[For compliance documentation, visit the product page on TE.com>](#)

EU RoHS Directive 2011/65/EU	Compliant
EU ELV Directive 2000/53/EC	Compliant
China RoHS 2 Directive MIIT Order No 32, 2016	No Restricted Materials Above Threshold
EU REACH Regulation (EC) No. 1907/2006	Current ECHA Candidate List: JUNE 2023 (235) Candidate List Declared Against: JUNE 2023 (235) Does not contain REACH SVHC
Halogen Content	Low Halogen - Br, Cl, F, I < 900 ppm per homogenous material. Also BFR/CFR/PVC Free
Solder Process Capability	Not applicable for solder process capability

Product Compliance Disclaimer

This information is provided based on reasonable inquiry of our suppliers and represents our current actual knowledge based on the information they provided. This information is subject to change. The part numbers that TE has identified as EU RoHS compliant have a maximum concentration of 0.1% by weight in homogenous materials for lead, hexavalent chromium, mercury, PBB, PBDE, DBP, BBP, DEHP, DIBP, and 0.01% for cadmium, or qualify for an exemption to these limits as defined in the Annexes of Directive 2011/65/EU (RoHS2). Finished electrical and electronic equipment products will be CE marked as required by Directive 2011/65/EU. Components may not be CE marked. Additionally, the part numbers that TE has identified as EU ELV compliant have a maximum concentration of 0.1% by weight in homogenous materials for lead, hexavalent chromium, and mercury, and 0.01% for cadmium, or qualify for an exemption to these limits as defined in the Annexes of Directive 2000/53/EC (ELV). Regarding the REACH Regulation, the information TE provides on SVHC in articles for this part number is based on the latest European Chemicals Agency (ECHA) 'Guidance on requirements for substances in articles' posted at this URL: <https://echa.europa.eu/guidance-documents/guidance-on-reach>

Compatible Parts



Customers Also Bought



Documents

Product Drawings

MULTIGIG RT GUIDE PIN, 9MM 4.20

English

CAD Files

Customer View Model

ENG_CVM_CVM_1-1410999-3_A.2d_dxf.zip

English

3D PDF



3D

Customer View Model

[ENG_CVM_CVM_1-1410999-3_A.3d_igs.zip](#)

English

Customer View Model

[ENG_CVM_CVM_1-1410999-3_A.3d_stp.zip](#)

English

By downloading the CAD file I accept and agree to the [Terms and Conditions](#) of use.

Datasheets & Catalog Pages

[2_PIECE_POWER_CONNECTORS_qrg_4-1773458-1](#)

English

Product Specifications

[Application Specification](#)

English