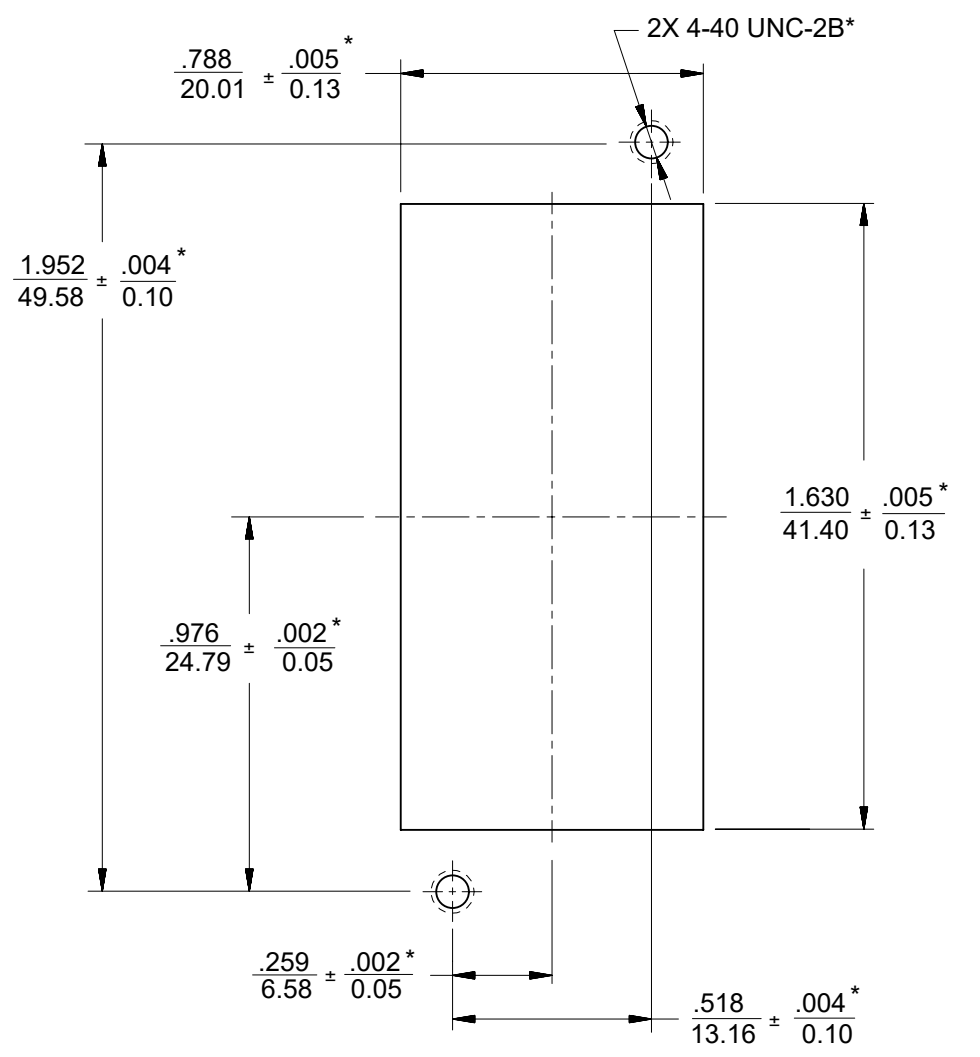
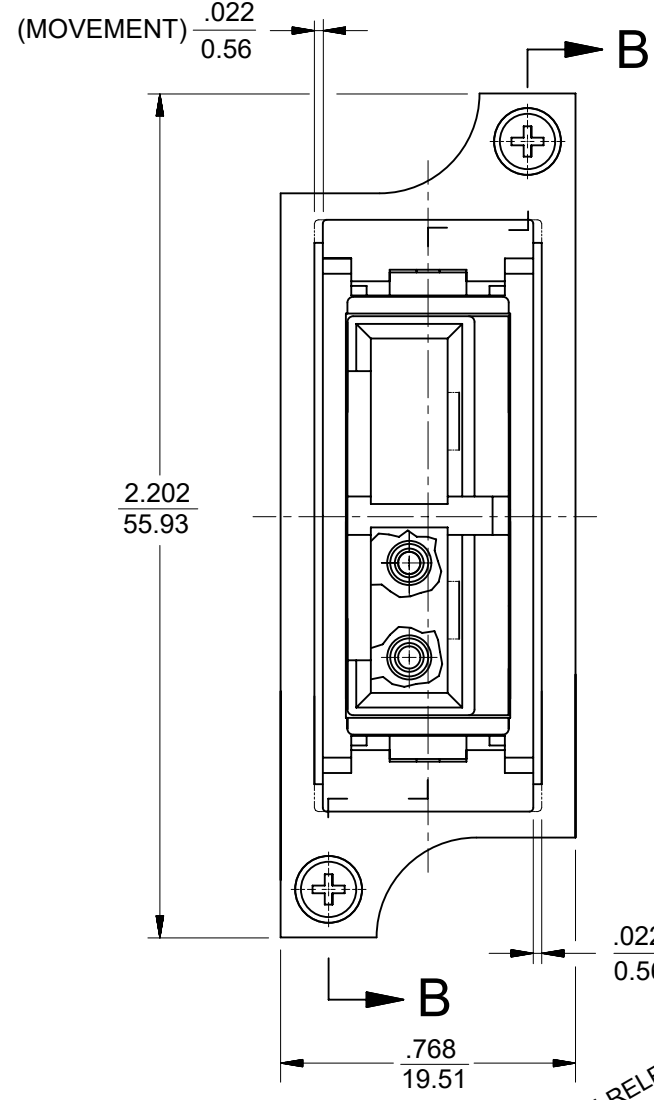
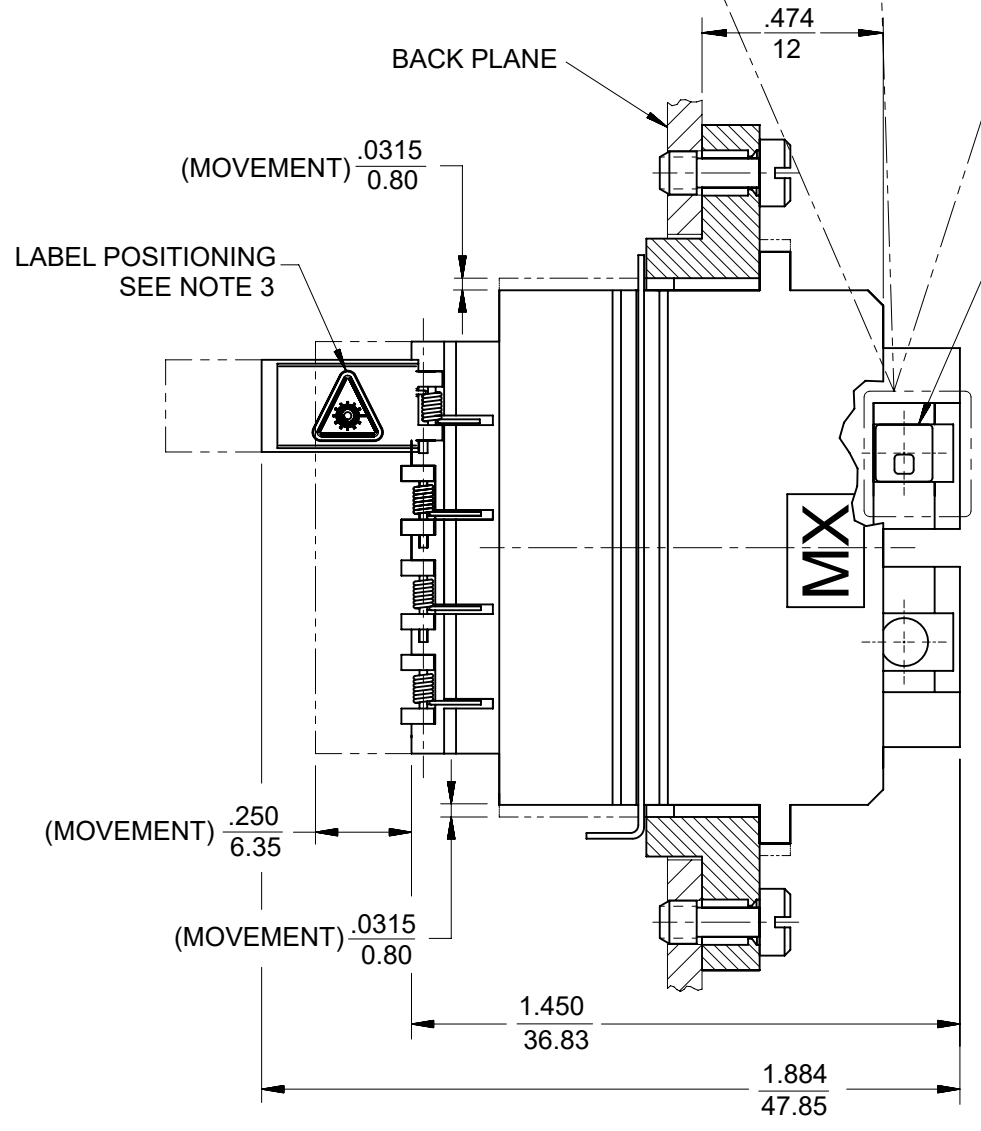
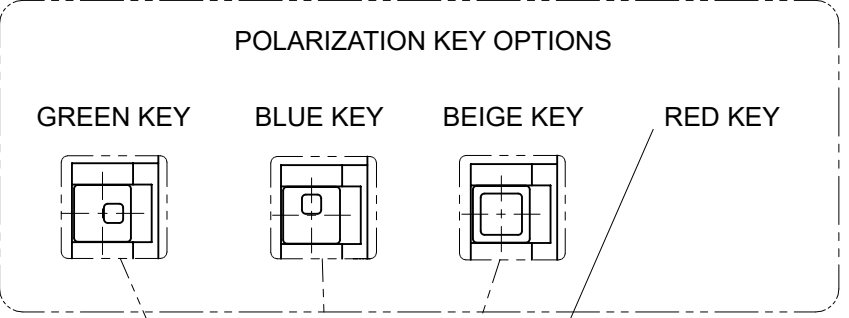


BLC ADAPTER P/N	SPLIT SLEEVE MATERIAL	COLOR
106144-0100	Ph. Bronze	BLACK
106144-1100	Zr	



VIEW A  
RECOMMENDED MOUNTING HOLES

PRE-RELEASE  
REFERENCE  
USE ONLY

- NOTES:
1. ALL DIM. ARE FOR REFERENCE ONLY, EXCEPT WHEN MARKED WITH (\*).
  2. POLARIZATION KEYS AND LABELS ARE PACKED UNASSEMBLED WITH ADAPTER ASSEMBLY IN POLY BAG.
  3. ADHESIVE LABELS TO BE POSITIONED ON LC DOORS BY USER. THE ORIENTATION OF THE LABELS SHOULD BE SUCH THAT THE LASER WARNING SYMBOL IS EASILY IDENTIFIED.

THIS DRAWING CONTAINS INFORMATION THAT IS PROPRIETARY TO MOLEX ELECTRONIC TECHNOLOGIES, LLC AND SHOULD NOT BE USED WITHOUT WRITTEN PERMISSION											
DIMENSION UNITS <b>IN/MM</b>		SCALE <b>2:1</b>		CURRENT REV DESC: REMOVED OBSOLETE PART NUMBER AS PER PCN#510806.				<b>molex</b>		BLC ADAPTER ASSEMBLY (4 POSITION)	
GENERAL TOLERANCES (UNLESS SPECIFIED)				EC NO: 733771 DRWN: SANTHN 2023/01/24 CHK'D: GGA 2023/02/24 APPR: GGA 2023/02/24							
4 PLACES ±				INITIAL REVISION:				DOCUMENT NUMBER		DOC TYPE   DOC PART   REVISION	
3 PLACES ±				DRWN: PGIBLIN 2005/10/20				SD-106144-XX00		PSD   001   B2	
2 PLACES ±				APPR:				SEE TABLE		GENERAL MARKET	
1 PLACE ±				THIRD ANGLE PROJECTION				MATERIAL NUMBER		CUSTOMER	
0 PLACES ±				DRAWING				SERIES		SHEET NUMBER	
ANGULAR TOL ± 0.5°				B-SIZE				106144		1 OF 1	
DRAFT WHERE APPLICABLE MUST REMAIN WITHIN DIMENSIONS											