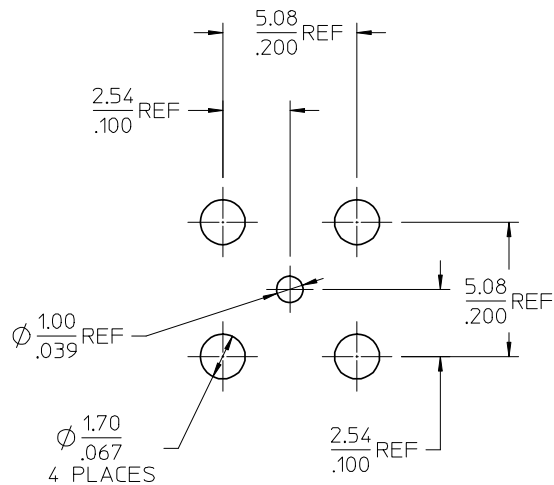
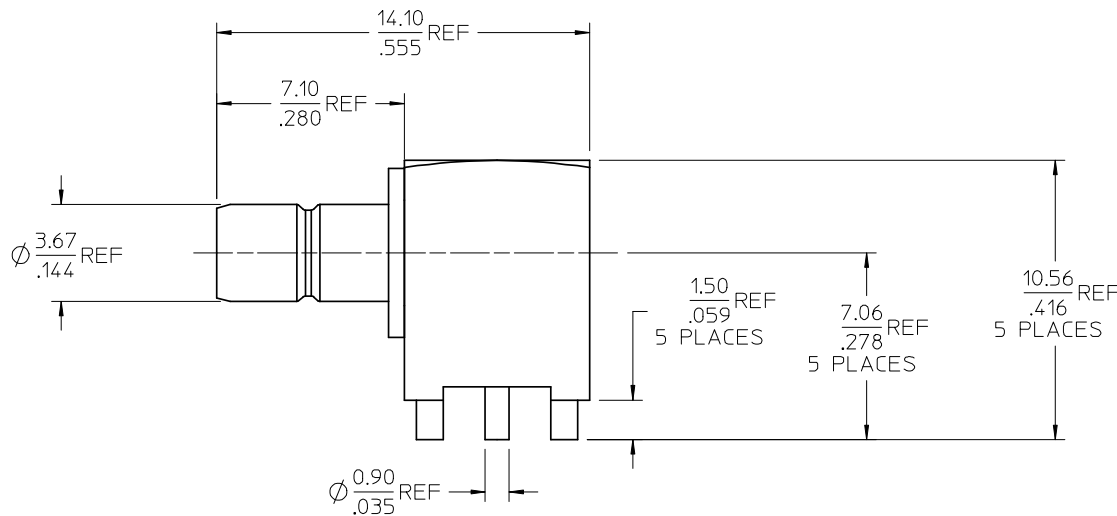
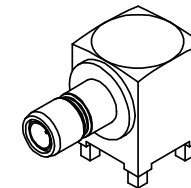


MATERIALS AND FINISHES

BODY, HOUSING BRASS
PLATED GOLD

CENTER CONTACT BRASS
PLATED GOLD

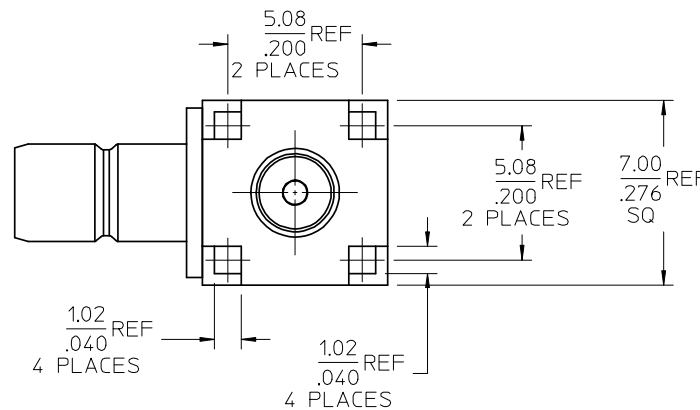
INSULATOR TEFLON



RECOMMENDED PCB HOLE

NOTE:

RF LEAKAGE AND VSWR ARE
NOT APPLICABLE IN
PS-73598-0099



PART # 73404-2440

PS-73598-0099	PRODUCT SPECIFICATION
SPECIFICATION	DESCRIPTION

CHG: LENGTHENED CONTACT TAIL TO BE FLUSH WITH BODY LEGS. EC NO: URF2008-0541 DRW: ARROBERTSON 2008/04/22 CHKD: 2008/04/22 APPR: JWIENER 2008/04/22	QUALITY SYMBOLS ▽=0 ▽=0	GENERAL TOLERANCES (UNLESS SPECIFIED) <table border="1"> <thead> <tr> <th></th> <th>mm</th> <th>INCH</th> </tr> </thead> <tbody> <tr> <td>4 PLACES</td> <td>± .005</td> <td>± .0002</td> </tr> <tr> <td>3 PLACES</td> <td>± .005</td> <td>± .0002</td> </tr> <tr> <td>2 PLACES</td> <td>± .005</td> <td>± .0002</td> </tr> <tr> <td>1 PLACE</td> <td>± .005</td> <td>± .0002</td> </tr> </tbody> </table>		mm	INCH	4 PLACES	± .005	± .0002	3 PLACES	± .005	± .0002	2 PLACES	± .005	± .0002	1 PLACE	± .005	± .0002	DIMENSION STYLE MM/IN	SCALE DESIGN UNITS METRIC	THIRD ANGLE PROJECTION
		mm	INCH																	
	4 PLACES	± .005	± .0002																	
	3 PLACES	± .005	± .0002																	
2 PLACES	± .005	± .0002																		
1 PLACE	± .005	± .0002																		
DRAFT WHERE APPLICABLE MUST REMAIN WITHIN DIMENSIONS	MATERIAL NO. 734042440	DRAWN BY TEF 2007/08/03	DATE 2007/08/03	TITLE SMB JACK, R/A, 50 OHMS RECEPTACLE, EWR-3408 SMB-J/RA	MOLEX INCORPORATED															
SIZE C	THIS DRAWING CONTAINS INFORMATION THAT IS PROPRIETARY TO MOLEX INCORPORATED AND SHOULD NOT BE USED WITHOUT WRITTEN PERMISSION	APPROVED BY JDW 2007/08/03	DATE 2007/08/03	DOCUMENT NO. SD-73404-244	SHEET NO. 1 OF 1															