

THIS DRAWING IS UNPUBLISHED. RELEASED FOR PUBLICATION
 © COPYRIGHT - BY TYCO ELECTRONICS CORPORATION. ALL RIGHTS RESERVED.

LOC	DIST	REVISIONS					
CH	11	P	LTR	DESCRIPTION	DATE	DWN	APVD
			B	REVISED PER 0G3B-0080-02	7/15/02	SS	GS
			B1	REVISED PER ECO-09-020935	09SEP09	KK	AEG

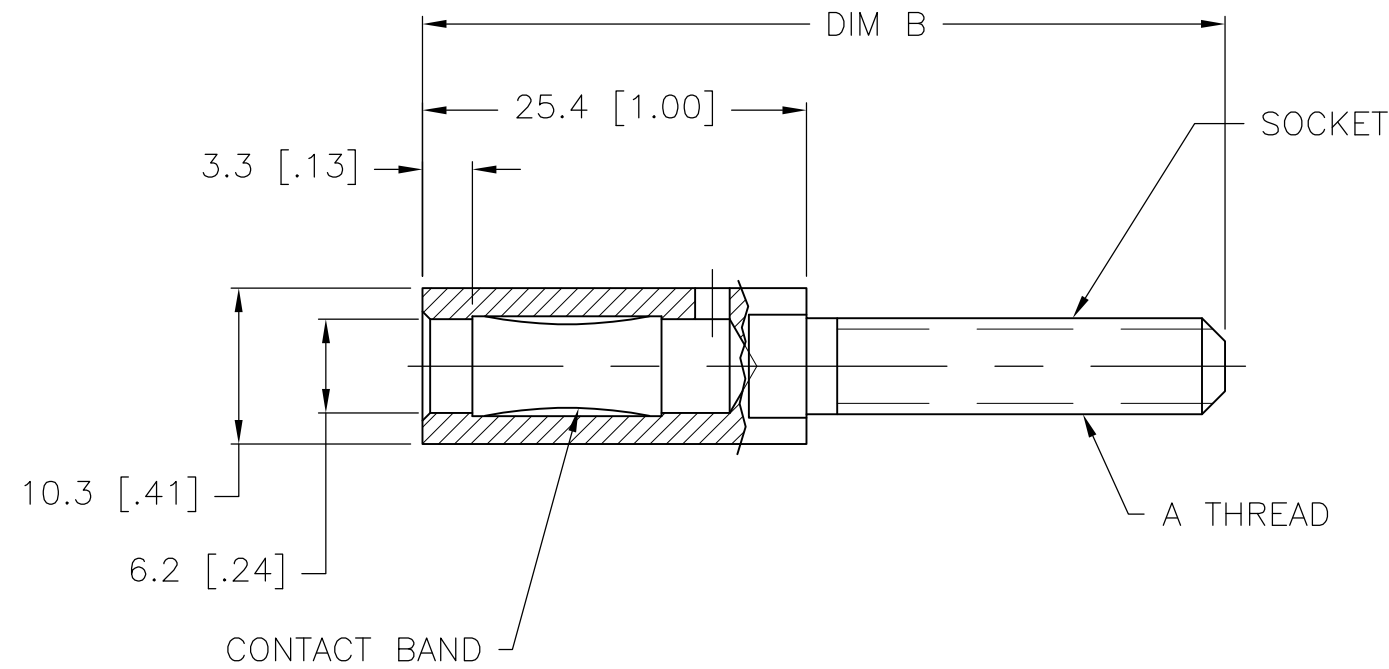
NOTES:

1. WIRE RACK MARKS PERMISSIBLE IN THREAD RELIEF AFTER PLATING.

② LUBRICATED ASSEMBLY.

③ PRELIMINARY PART NO.

④ OBSOLETE PARTS: OBSOLETE CIS STREAMLINING PER D.RENAUD/D.SINISI



OBSOLETE	②③	NORMAL: 200 C AND BELOW	SILVER/NI	36.8 [1.45]	1/4-28 UNF-2A	-	192211-5
	④	HI-TEMP: 400° C MAX	UNPLATED	53.1 [2.09]	M6X1-6g	09263	192211-4
		HI-TEMP: 400° C MAX	UNPLATED	53.1 [2.09]	1/4-28 UNF-2A	09253	192211-3
	NORMAL: 200° C AND BELOW	GOLD/NI	53.1 [2.09]	M6X1-6g	09034	192211-2	
	NORMAL: 200° C AND BELOW	GOLD/NI	53.1 [2.09]	1/4-28 UNF-2A	09035	192211-1	
		USAGE	BAND PL.	DIM B	THREAD A	HUGIN NO.	PART NO.

THIS DRAWING IS A CONTROLLED DOCUMENT.

DIMENSIONS: MM	TOLERANCES UNLESS OTHERWISE SPECIFIED:	DWN 02-24-92 J. MARTENS	Tyco Electronics Corporation Harrisburg, PA 17105			
	0 PLC ± -	CHK -		NAME SOCKET ASSY, 6mm		
	1 PLC ± -	APVD -				
	2 PLC ± -	PRODUCT SPEC -				
	3 PLC ± 0.25[.01]	APPLICATION SPEC -	SIZE	CAGE CODE	DRAWING NO	RESTRICTED TO
	4 PLC ± -	WEIGHT -	A3	00779	C-192211	-
	ANGLES ± -	CUSTOMER DRAWING	SCALE	SHEET	OF	REV
MATERIAL	FINISH		2:1	1	1	B1
BODY: BRASS	BODY: SILVER/NI					
BAND: BeCu	BAND: SEE TABLE					