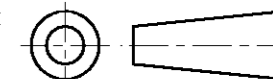


DO NOT SCALE

DIMENSIONS IN mm

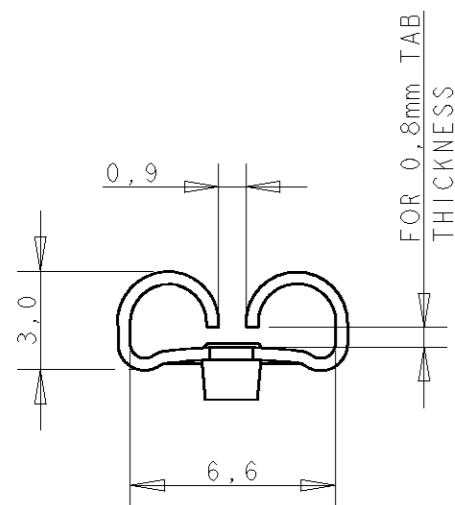
METRIC

THIRD ANGLE
PROJECTION

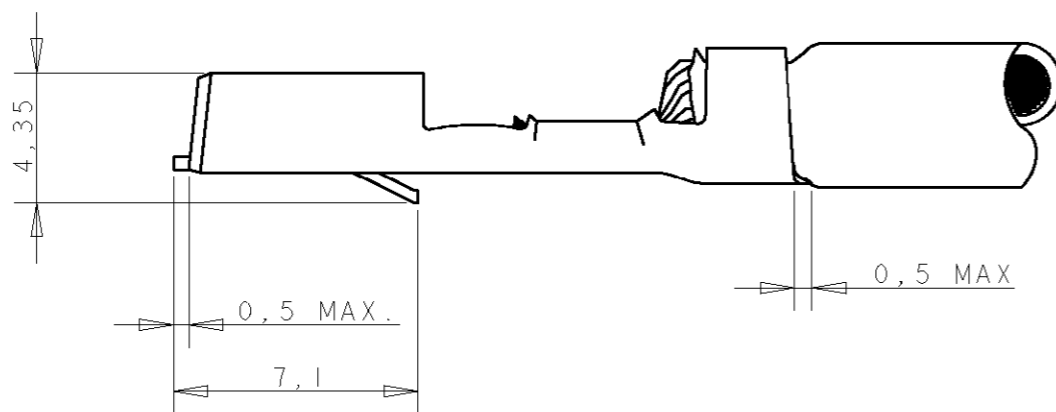
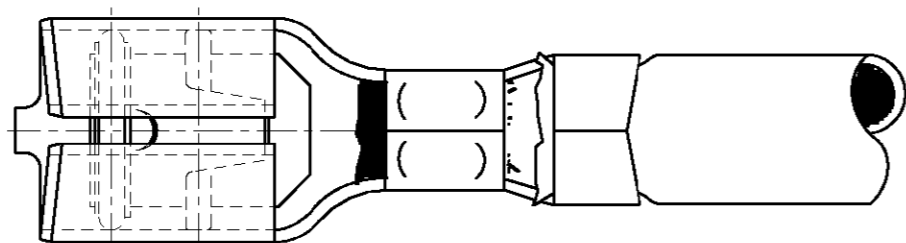
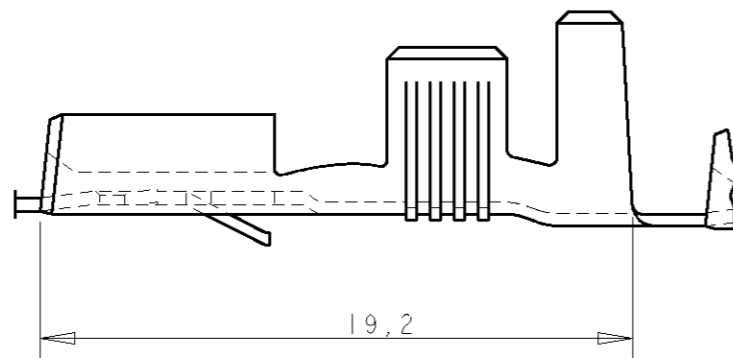
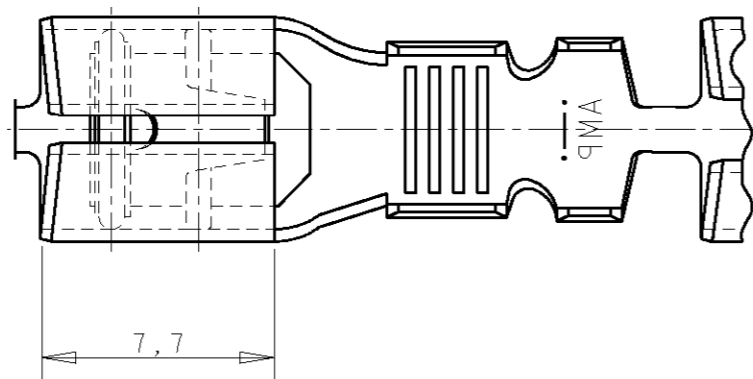


NOTES:

- 1 FOR USE ON STANDARD AND MINIATURE APPLICATORS.
- 2 REELED WITH PAPER COVER.



FOR 0,8mm TAB
THICKNESS



WIRE RANGE :
0,5-1,5 mm²
INSULATION RANGE :
1,2-2,4 DIA.

GENERAL TOLERANCES ±0.3

NOTES	FINISH	MATERIAL	PARTNUMBER
-	-	-	-
-	-	-	-
-	-	-	-
-	-	-	-
-	-	-	-
-	-	-	-
-	-	-	-
-	TINPLATING	-	160844-2
-	-	BRASS	-

REV.	NOTES	DR.	CHK.	DATE	FINISH	MATERIAL	PARTNUMBER
F	ES00-0065-01	JC	JL	19JUN01	-	-	-
E	ES00-0043-01	JC	RS	30APR01	-	-	-
D	EH-0168-94	DK	PB	21-06-94	-	-	-
LTR.	REVISION RECORD	DR.	CHK.	DATE			
DR.:	D.KESSLER	CHK.:	P.BEIJNON	APP.:	L.V.SOEST	DWG.No.	160844
DATE:	21-06-94	DATE:	-	DATE:	-	REV.LTR.	F
						SHEET	1 OF 1
							A3

CUSTOMER DRAWING FOR REFERENCE ONLY
WILL NOT BE UPDATED.
© COPYRIGHT 19- BY AMP HOLLAND B.V.
ALL INTERNATIONAL RIGHTS RESERVED. AMP PRODUCTS MAY BE
COVERED BY U.S. AND FOREIGN AND/OR PATENTS PENDING.
THIS DRAWING IS UNPUBLISHED
RELEASED FOR PUBLICATION

AMP Tyco Electronics AMP
Barcelona, Spain

6,3 SRS FASTIN-ON
RECEPTACLE