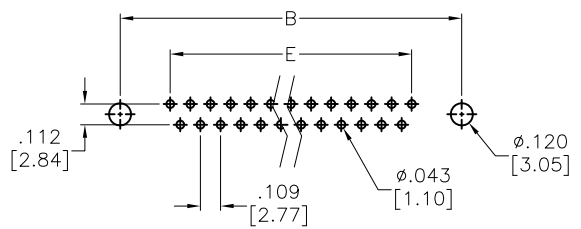
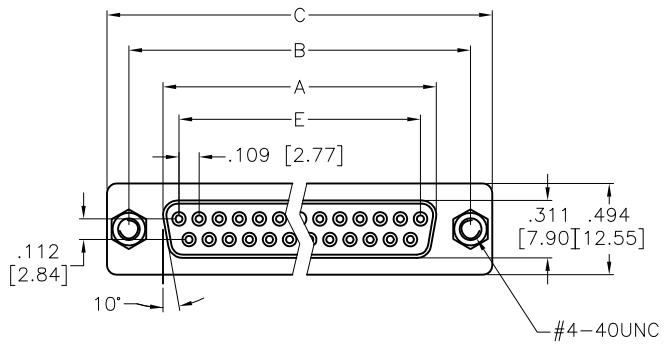
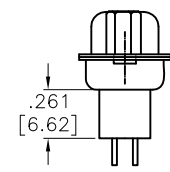
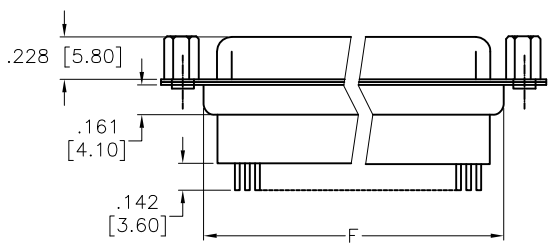


APPROVED: _____
DATE: _____ TITLE: _____

Rev	AWO #	Description	Date	Appr
-		RELEASED	4/15/05	
A		UPDATED DRAWING	11/8/18	HR/IW



RECOMMENDED PCB LAYOUT



DXXX	NO. OF CONTACTS	DIMENSIONS				
		A	B	C	D	E
DE09	9	.643 [16.33]	.984 [24.99]	1.213 [30.81]	.756 [19.20]	.436 [11.08]
DA15	15	.972 [24.70]	1.311 [33.30]	1.543 [39.20]	1.091 [27.70]	.763 [19.39]
DB25	25	1.512 [38.40]	1.852 [47.04]	2.089 [53.05]	1.618 [41.10]	1.309 [33.24]
DC37	37	2.157 [54.80]	2.500 [63.50]	2.732 [69.40]	2.256 [57.30]	1.963 [49.86]

SPECIFICATIONS:

Material:
Insulator: PBT, glass reinforced, rated UL 94V-0
Insulator color: Black
Contacts: Copper Alloy
Shell: Steel, Tin over Copper plated
Clinch Nut: Brass, Nickel plated
Plating:
Gold flash over Nickel underplate on contact area
Electrical:

Voltage rating: 250 VAC/rms
Current rating: 3 Amp
Contact resistance: 20 mohms Max @ 1 Amp DC
Insulation resistance: 1000 Mohms min @ 500 VDC
Dielectric withstanding voltage: 1,000 VAC/rms for 1 minute
Environmental:
Lead free, RoHS compliant



UNLESS OTHERWISE SPECIFIED
ALL DIMENSIONS ARE INCHES [MM]
TOLERANCES: EXCEPT AS NOTED

INCHES		HOLES	
.X	± .10	Ø.X	± .10
.XX	± .020	Ø.XX	± .015
.XXX	± .015	Ø.XXX	± .010

APPROVALS		DATE
DRAWN	SS	4/15/05
CHECKED		
APPROVED		

ADAM TECH INTERCONNECTS 909 Rahway Avenue, Union, NJ 07083
Phone: 908-687-5000 Fax: 908-687-5710

TITLE: D-SUB SOCKET, HIGH PROFILE RIVETED #4-40 JACKSCREWS

SIZE X	PART NO. DXXX-SE-1-JS	REV. A
REF: S00087T	SCALE: NTS	SHEET 1 OF 1