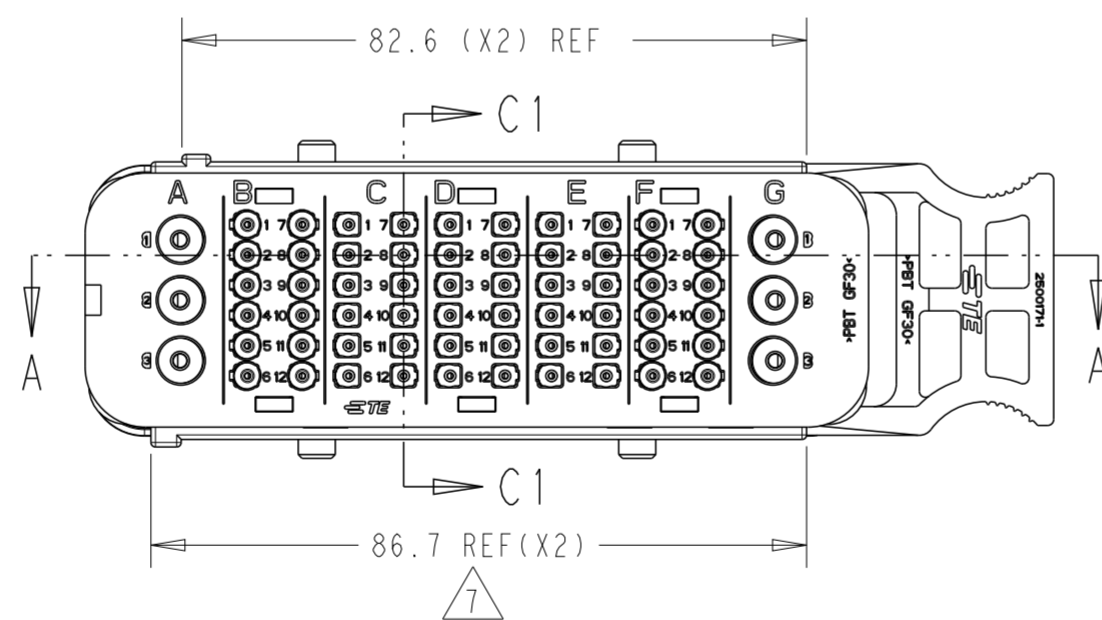
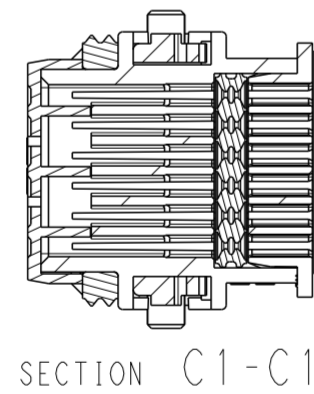
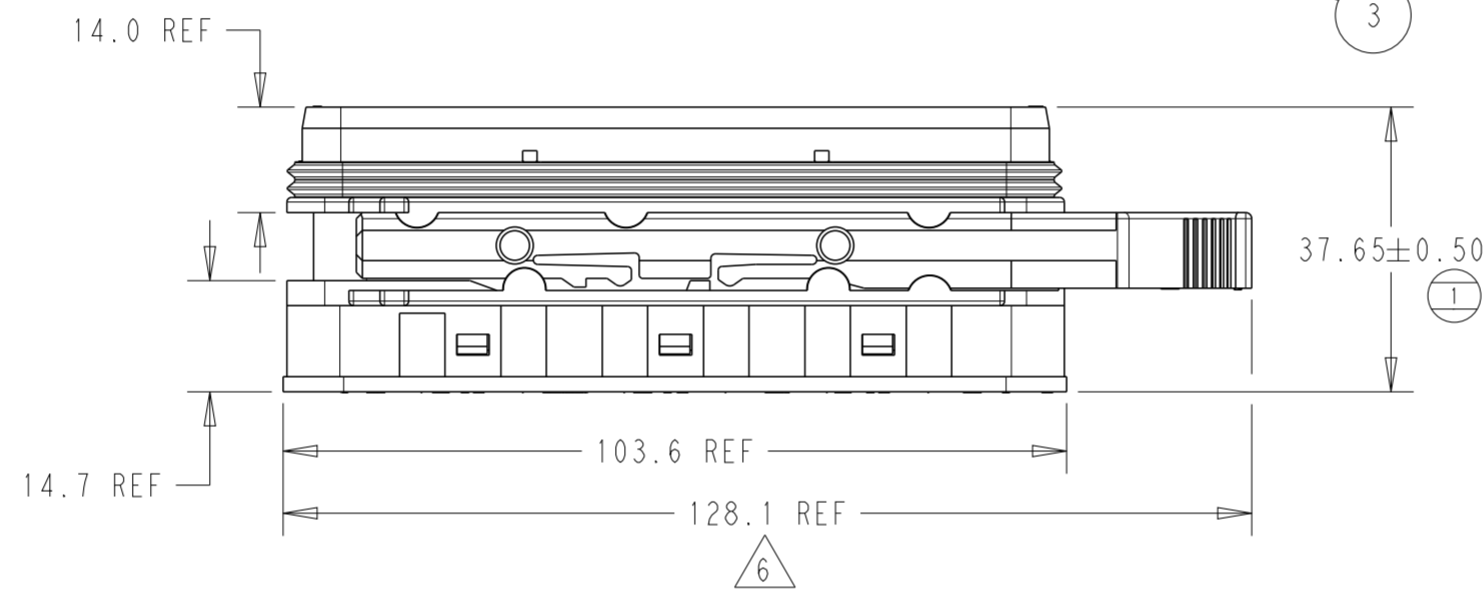
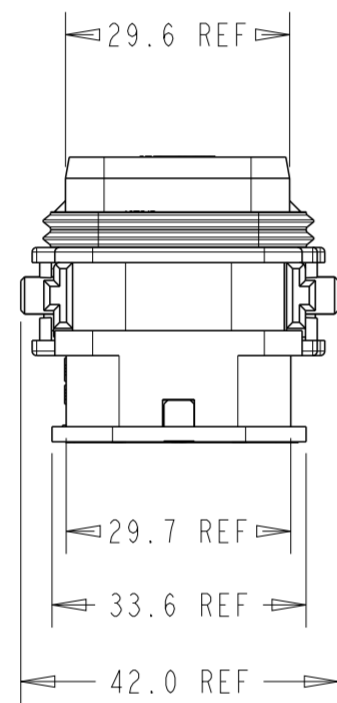
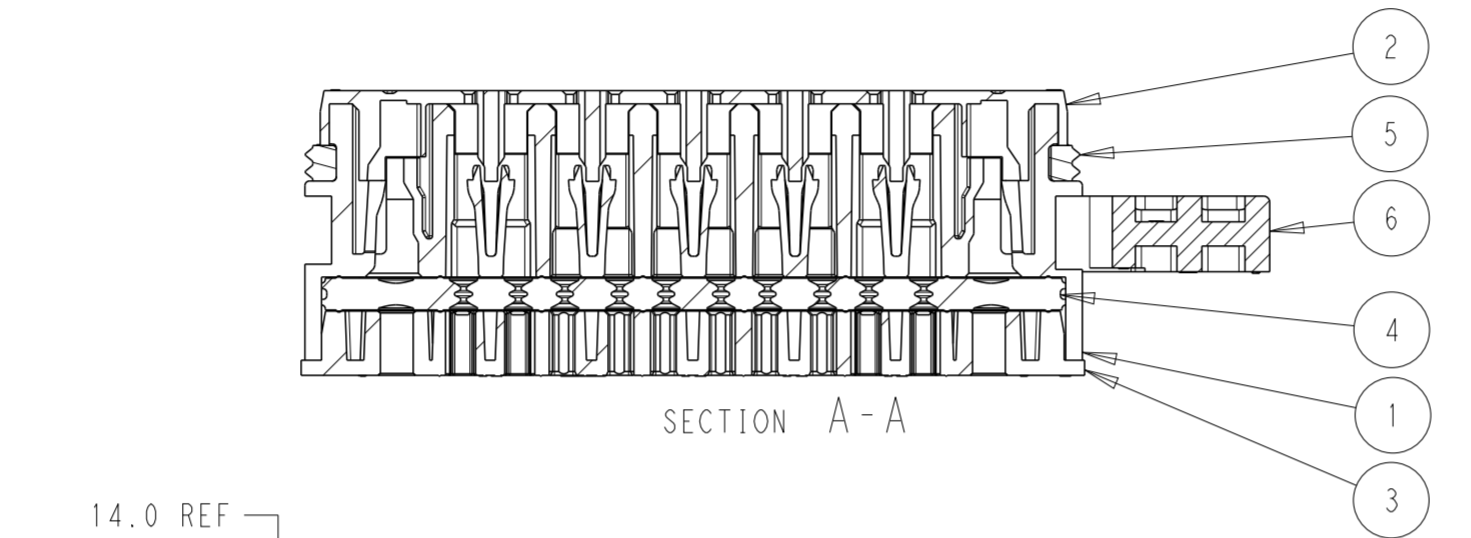
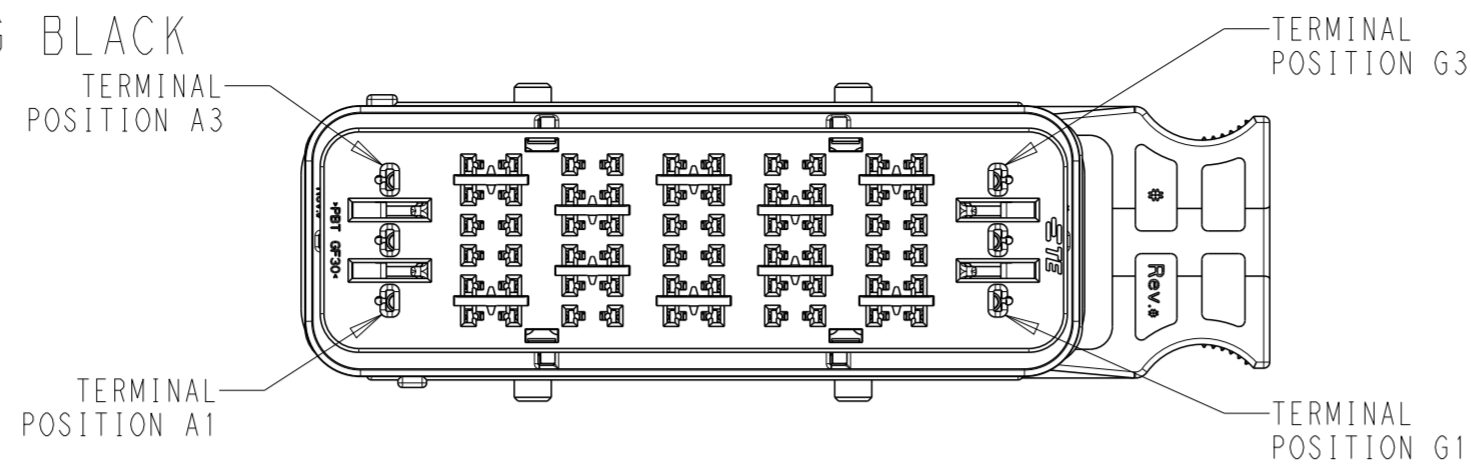


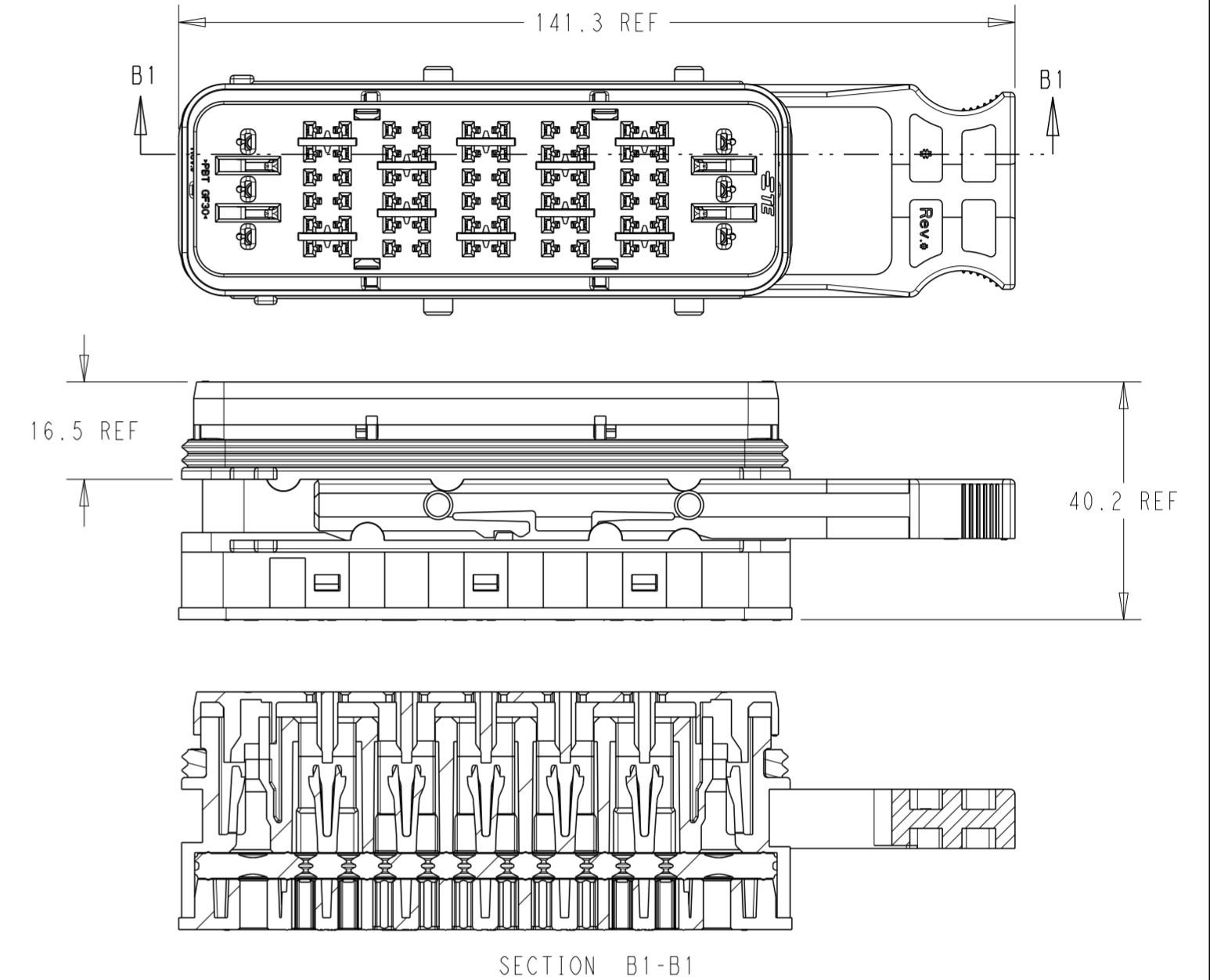
# SRC POWER 60+6AG (2.5) MAIN HOUSING BLACK

TPA IN FULL-LOCK (AS SHIPPED) POSITION AND LATCH IN PARTIALLY OPEN POSITION



REVISIONS					
P	LTR	DESCRIPTION	DATE	DWN	APVD
A3		ECO-20-009048	15JUL2020	MHS	MT
B		PCN-21-123224	23DEC2021	DRK	AW

TPA IN PRE\_LOAD POSITION AND LATCH IN OPEN POSITION



**NOTES:**

- MATERIALS:  
HOUSINGS: POLYESTER (PBT), GLASS FILLED, UL 94 HB  
SEAL: SILICONE RUBBER
  - VARIATION OF SHADE WITHIN OR BETWEEN BATCHES, OR DISCOLORATION IS ACCEPTABLE
  - MX150 RECEPTACLE TERMINALS TO BE USED WITH THESE ASSEMBLIES IN CAVITIES B,C, D,E AND F, CRIMPED WITH CABLE INSULATION OUTER DIAMETER IN THE RANGE 1.5mm TO 2.7mm
  - SRC RECEPTACLE TERMINALS MAY BE USED WITH THESE ASSEMBLIES IN CAVITIES B AND F CRIMPED WITH 2.5mm<sup>2</sup> (13AWG) CABLE INSULATION OUTER DIAMETER IN THE RANGE 2.7mm TO 3.0mm
  - MX150L RECEPTACLE TERMINALS TO BE USED WITH THESE ASSEMBLIES IN CAVITIES A AND G, CRIMPED WITH CABLE INSULATION OUTER DIAMETER IN THE RANGE 3.0mm TO 5.0mm
6. PACKAGING SPECIFICATION: TEC-107-160003-02, LATCH SHIPPED IN PARTIALLY OPEN POSITION
7. MATES WITH SRC 60+6AG PIN 2.5 BLADE HOUSING ASSEMBLY (BLACK) PN 2500022-1 (OLD PN 937926025)
8. CONDUIT INTERFACE OPTIONS REFER TO 2500034
9. PRESENCE OF TE CONNECTIVITY LOGO OPTIONAL ON FRONT COVER, REAR COVER, SLIDING LATCH AND HOUSING.

ACCEPTABLE CABLE INSULATION Ø RANGES (mm) - NOTE 3, 4 & 5 (COMBINATION OF CABLES PER NOTES 2 & 3 ALLOWED IN B & F)

CAVITY SET						
A	B	C	D	E	F	G
3.0 - 5.0	1.5 - 3.0	1.5 - 2.7	1.5 - 2.7	1.5 - 2.7	1.5 - 3.0	3.0 - 5.0

No.	DESCRIPTION	QTY.	COLOR
6	SLIDING LATCH	1	BLACK
5	FEMALE FRONT SEAL	1	RED
4	FEMALE BACK SEAL	1	LIGHT BLUE
3	FEMALE REAR COVER	1	BLACK
2	FEMALE FRONT COVER	1	GREEN
1	FEMALE HOUSING	1	BLACK
BILL OF MATERIAL			

850846025	2500006-1
OLD P/N	PART NO

THIS DRAWING IS A CONTROLLED DOCUMENT.

DIMENSIONS: mm	TOLERANCES UNLESS OTHERWISE SPECIFIED:	DWN: 15JUL2020	MANOHAR H S
0 PLC ±	1 PLC ±	CHK: 15JUL2020	M TRULL
2 PLC ±	3 PLC ±	APVD: 15JUL2020	M TRULL
4 PLC ±	ANGLES ±	PRODUCT SPEC	TEC-108-160018
FINISH		APPLICATION SPEC	TEC-114-160015
MATERIAL		WEIGHT	
		CUSTOMER DRAWING	

TE Connectivity		NAME: SRC Pwr 60+6AG FEMALE RECEPTACLE HSG ASSY 2.5	
SIZE: A2	CAGE CODE: 00779	DRAWING NO: C-2500006	RESTRICTED TO: -
SCALE: 5:1	SHEET: 1 OF 1	REV: B	