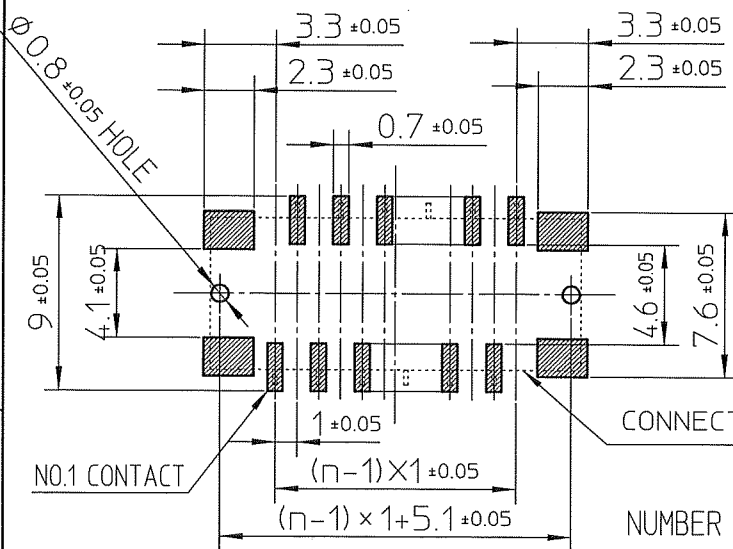


PT. NO.	PARTS NAME	MATERIAL	Q'TY	NOTE
1	HOUSING	GLASS FILLED THERMOPLASTIC RATED.(UL94V-0)	1	COLOR:BRACK
2	CONTACT	PHOSPHOR BRONZE	n	PLATING:TIN (LEAD FREE)
3	MOUNTING PLATE	BRASS	2	PLATING:TIN (LEAD FREE)

RECOMMENDED PC BOARD LAYOUT  
(COMPONENT SIDE)



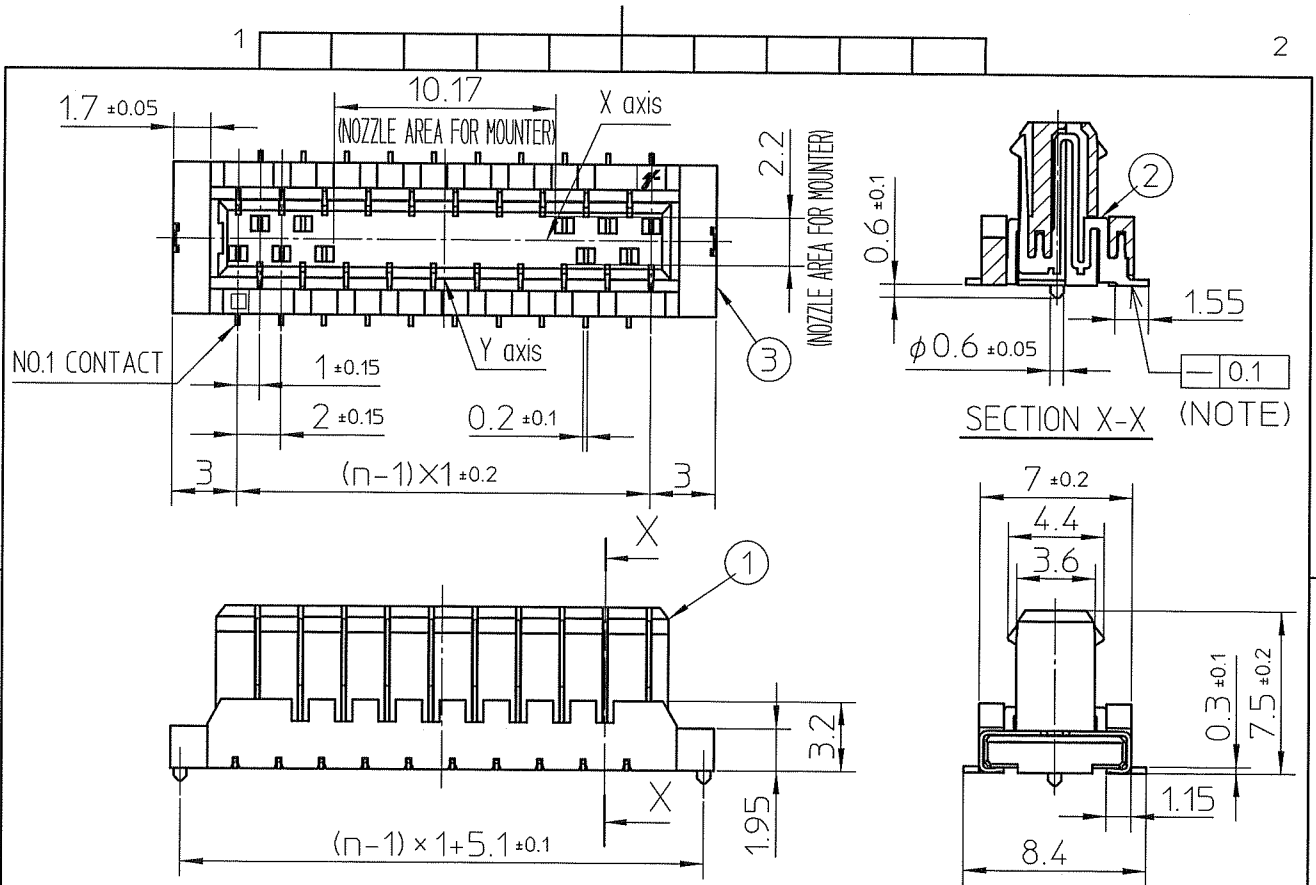
n:NO. OF CONTACTS

NOTE

- 1.This connector is symmetric for X,Y axis. As a result, It is possible to locate in emboss cavity even if rotated condition.
- 2.Flatness for contact terminal and mounting plate must be within 0.1.
- 3.This product meets European Union Directives and other country regulations as described in GS-22-008.

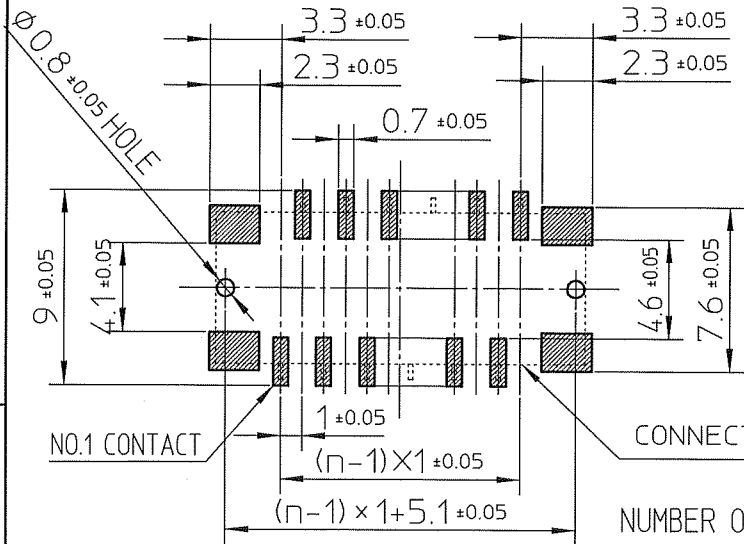
NUMBER OF CONTACTS : 10 TO 16 , ONLY EVEN POS.

mat'l. code				surface <input checked="" type="checkbox"/> ISO 1302 <input type="checkbox"/> tolerance <input type="checkbox"/> ISO 406 <input type="checkbox"/> ISO 1101		projection		product family 590F	
ltr ecn no dr date				tolerances unless otherwise specified		title		FLOATING BOARD TO BOARD PLUG CONNECTOR (LEAD FREE) (CAT.No. BTFW__P-3SBTLF)	
A J05-0470 M.K Aug.2,'05				angles linear ± 0.3		scale		dwg no JSA 96638 sheet 1 of 2 size A4	
B J07-0021 M.K Jan.15,'07				dr K.Higuchi Jan.15,'07				type Product Customer Drawing	
				enr M.Koga Jan.15,'07					
				chr K.Higuchi Jan.15,'07					
				appd M.Koga Jan.15,'07					
sheet index		revision sheet		B 1		B 2		Rev B	



PT. NO.	PARTS NAME	MATERIAL	Q'TY	NOTE
1	HOUSING	GLASS FILLED THERMOPLASTIC RATED.(UL94V-0)	1	COLOR:BRACK
2	CONTACT	PHOSPHOR BRONZE	n	PLATING:TIN (LEAD FREE)
3	MOUNTING PLATE	BRASS	2	PLATING:TIN (LEAD FREE)

RECOMMENDED PC BOARD LAYOUT  
(COMPONENT SIDE)



n:NO. OF CONTACTS

NOTE  
 1.This connector is symmetric for X,Y axis. As a result, It is possible to locate in emboss cavity even if rotated condition.  
 2.Flatness for contact terminal and mounting plate must be within 0.1.  
 3.This product meets European Union Directives and other country regulations as described in GS-22-008.

NUMBER OF CONTACTS : 18 TO 30 , ONLY EVEN POS.

mat'l. code				surface ISO 1302 ✓		tolerance ISO 406 ISO 1101		projection ⊕		product family 590F	
ltr				tolerances unless otherwise specified		angles		scale		title FLOATING BOARD TO BOARD PLUG CONNECTOR (LEAD FREE) (CAT.No. BTFW__P-3SBTLF)	
ecn no				linear		±0.3		← →		dwg no JSA 96638	
dr				dr		K.Higuchi		Jan.15,'07		sheet 2 of 2	
date				enrg		M.Koga		Jan.15,'07		size A4	
A J05-0470 M.K Aug.2,'05				chr		K.Higuchi		Jan.15,'07		type Product Customer Drawing	
B J07-0021 M.K Jan.15,'07				appd		M.Koga		Jan.15,'07		Rev B	
sheet index				revision sheet		B 1		B 2		D	