

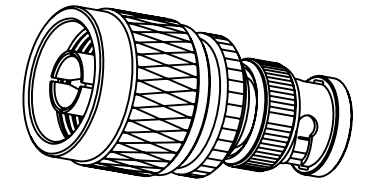
NOTES:

1. MATERIALS AND FINISHES:  
 BODY - BRASS, NICKEL PLATING.  
 CONTACT PIN - BRASS, GOLD PLATING.  
 INSULATOR - PTFE, NATURAL.
2. ELECTRICAL:  
 A. IMPEDANCE: 50 OHM.  
 B. FREQUENCY RANGE: DC - 4 GHz.
3. MECHANICAL:  
 A. TEMPERATURE RANGE: -55°C TO +165°C.

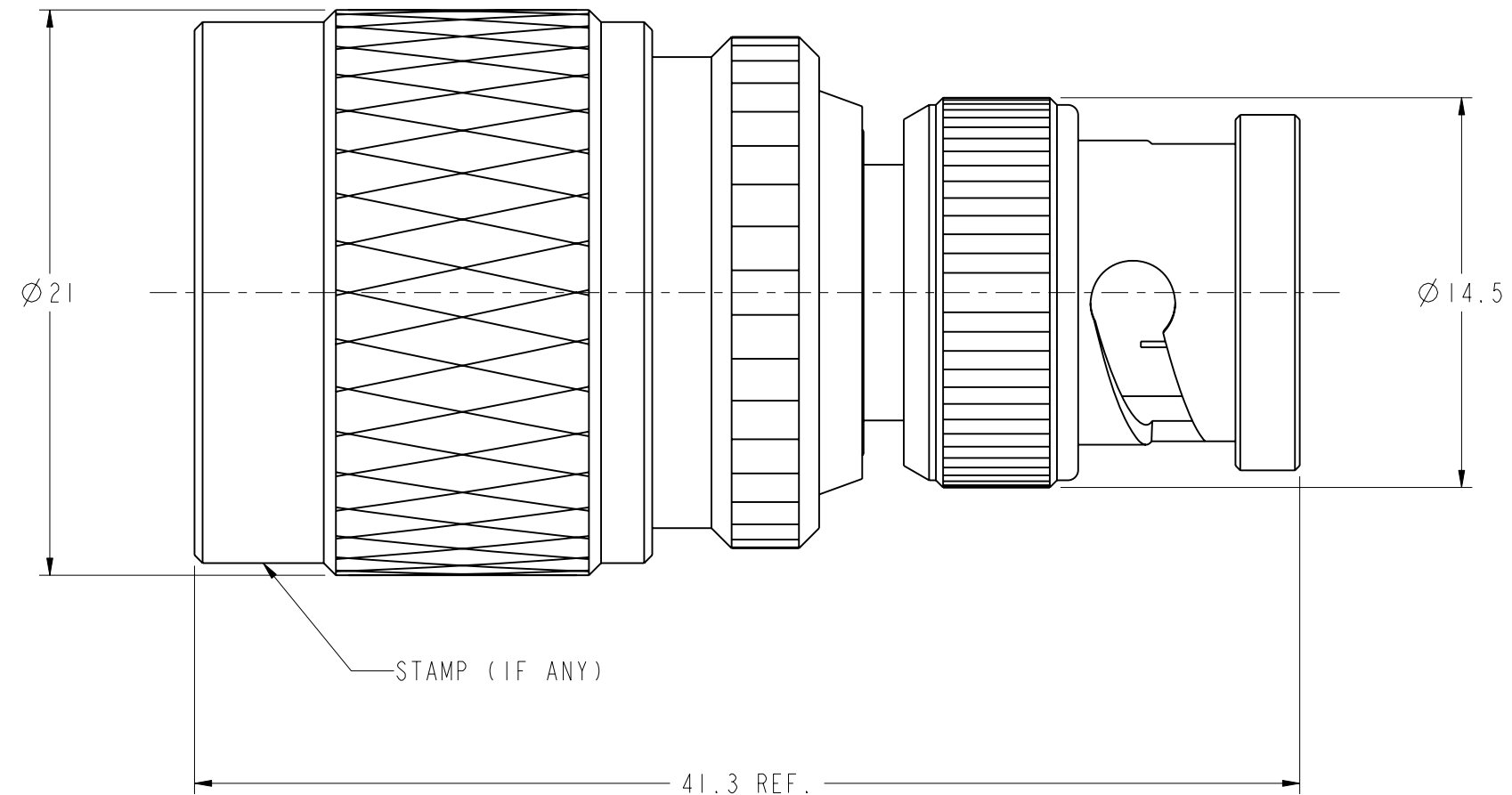
THIRD ANGLE PROJ.

REVISIONS

REV	DESCRIPTION	DATE	ECO	APPR
A	RELEASE TO MFG.	29-Jul-03	46262	
B	UPDATE THE FORMAT\RD-DM10090901S4 ITEM 12 WAS CHANGED\RD-DM09112701TI	21-Sep-10	48274	SH



SCALE 1.000



**CUSTOMER OUTLINE DRAWING**

ALL OTHER SHEETS ARE FOR INTERNAL USE ONLY

UNLESS OTHERWISE SPECIFIED, DIMENSIONS ARE IN METRIC AND TOLERANCES ARE: <0.5mm ±0.05mm    0.5 - 6mm ±0.1mm    6 - 30mm ±0.2mm    30 - 120mm ±0.3mm    ANGLES ±1°  NOTICE - These drawings, specifications, or other data (1) are, and remain the property of Amphenol corp. (2) must be returned upon request; and (3) are confidential and not to be disclosed to any person other than those to whom they are given by Amphenol Corp. the furnishing of these drawings, specifications, or other data by Amphenol Corp., or to any other person to anyone for any purpose is not to be regarded by implication or otherwise in any manner licensing, granting rights to permitting such holder or any other sperson to manufacture, use or sell any product, process or design, patented or otherwise, that may in any way be related to or disclosed by said drawings, specifications, or other data.	MATERIAL	DRAWN S.LI	DATE 17-Sep-10	TITLE N MALE TO BNC MALE ADAPTOR	Amphenol RF Danbury CT USA, Tainan, Taiwan, Shenzhen, China www.amphenolrf.com	
	REFERENCE AND CONFIGURATION LEVEL:	ENGINEER C.WANG	DATE 20-Sep-10			SCALE: 4.0:1.0    SHEET 2 OF 2
	FINISH	APPROVED S.HSIEH	DATE 20-Sep-10	DWG SIZE B	REV B	DRAWING NO. NM-BMI-NT3G-50
		Root Folder\N\NM-BMI-NT3G-50				ITEM NO. 03M-01MI-NA-5-F PART NO. APH-NP-BNCP