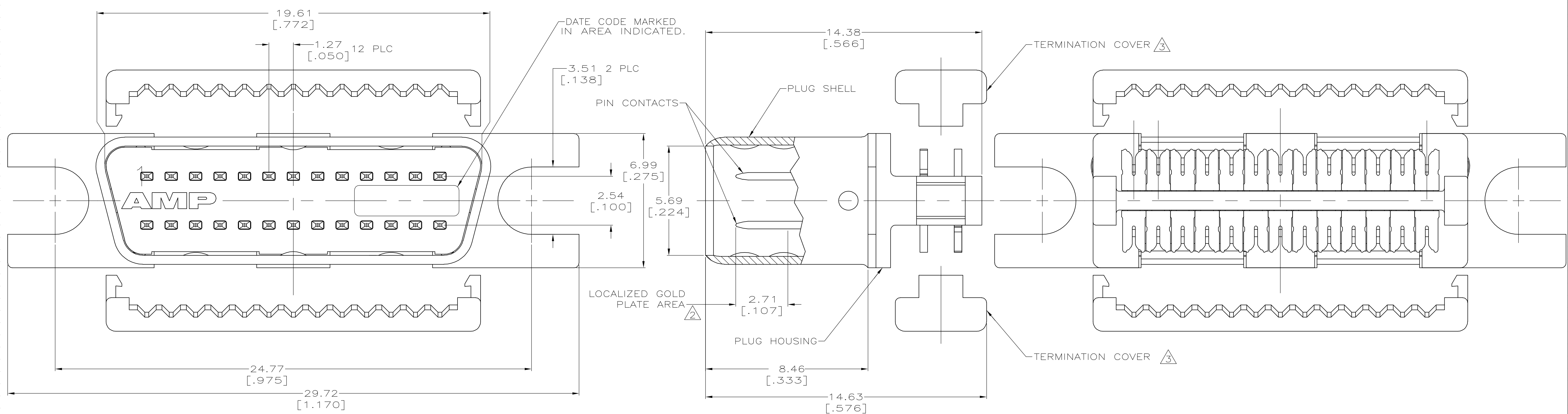
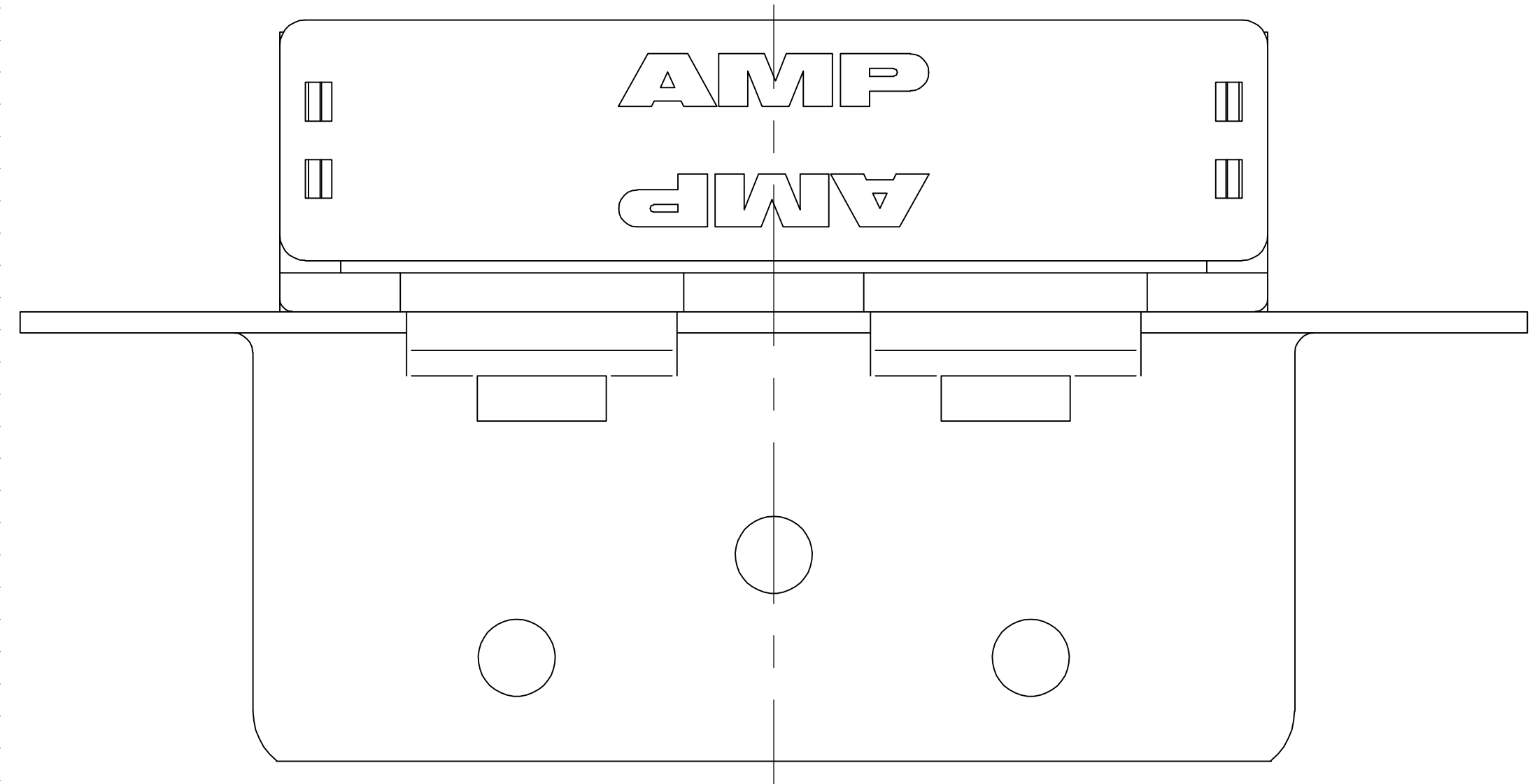


LOC		DIST		REVISIONS			
P	LTR	DATE	DWN	APPD			
GP	00	0					
DESCRIPTION				DATE		DWN	APPD
O				RELEASED PER EC 0513-0684-04		02-23-05	LV JG

- 1 MATERIAL:
 PIN CONTACTS: PHOSPHOR BRONZE.
 PLUG SHELL: STEEL.
 PLUG HOUSING AND TERMINATION COVERS: UL V-O RATED POLYESTER THERMOPLASTIC,
 COLOR BLACK.
- 2 FINISH:
 PIN CONTACTS: 0.00076 [.000030] MINIMUM GOLD PLATE IN LOCALIZED GOLD PLATE
 AREA, 0.00127 [.000050] MINIMUM TIN PLATE IN TERMINATION AREA, ALL
 OVER 0.00127 [.000050] MINIMUM NICKEL.
 PLUG SHELL: 0.00508 [.000200] MINIMUM TIN PLATE OVER 0.00127 [.000050]
 MINIMUM COPPER.
- 3 TERMINATION COVERS ARE PACKAGED SEPARATELY.
- 4. DIMENSIONS IN BRACKETS ARE IN INCHES.
- 5. RECOMMENDED WIRE:
 28 AWG- 0.81 [.032] MAX O.D. PVC OR POLYETHYLENE INSULATION.



**COPYRIGHT 2005
 TYCO ELECTRONICS CORP
 ALL RIGHTS RESERVED**

5750833-1
 PART NO

THIS DRAWING IS A CONTROLLED DOCUMENT.		DWN L. VARELA - DOCKS	02-23-05		Tyco Electronics Corporation Harrisburg, Pa 17105-3608	
DIMENSIONS: mm(INCHES)		CHK S. SHUEY	02-23-05		APVD M. WALMSLEY	NAME PLUG KIT, CABLE CONNECTOR, 26 POSITION, SLIMLINE, AMPLITUDE .050 Series
TOLERANCES UNLESS OTHERWISE SPECIFIED:		PRODUCT SPEC		APPLICATION SPEC		
0 PLC ± -		1 PLC ± -		SIZE		
2 PLC ± 0.13 [.005]		3 PLC ± -		CAE CODE		
4 PLC ± -		ANGLES ± -		DRAWING NO		
MATERIAL		FINISH		WEIGHT		
△		△		A1100779 G-5750833		
CUSTOMER DRAWING				SCALE	SHEET	REV
				4:1	1	0

**OBsolete
 NOT THE LATEST
 REVISION**