

PART NUMBER CODING
SWR201-NREN-S__-S__-WH

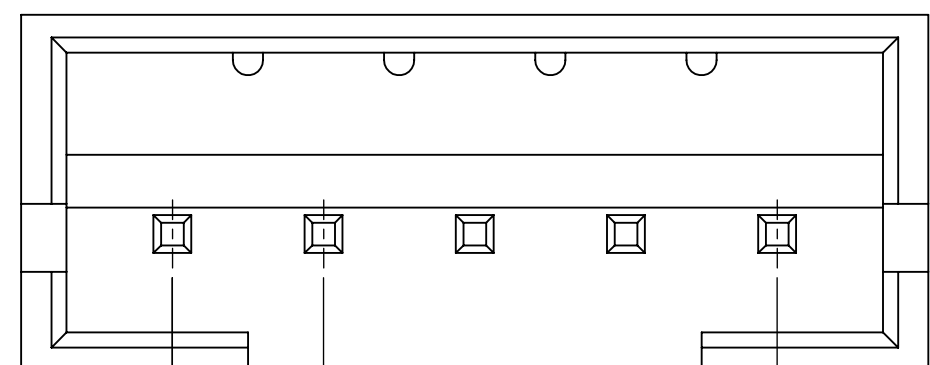
TERMINATION TYPE

A= END PINS KINK RIGHT
 B= END PINS KINK LEFT

NUMBER OF POSITIONS

(CONTACTS PER ROW)

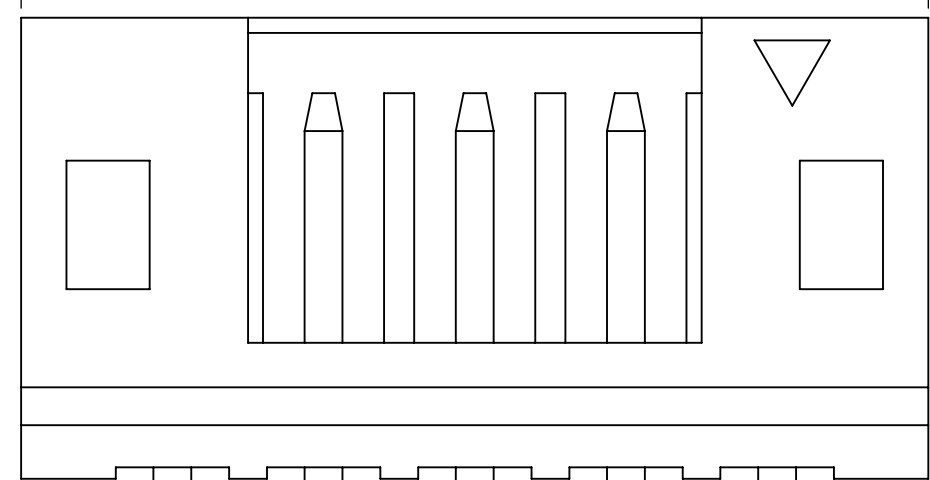
REVISIONS				
REV.	ECO. NO	DESCRIPTION	DATE	BY
A	2003	INITIAL RELEASE	7/17/2009	JH



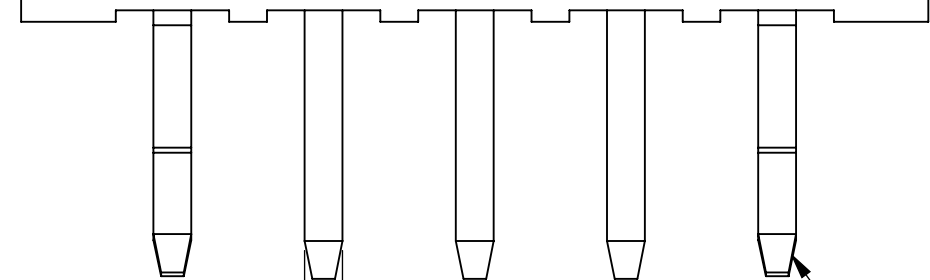
2.00 ± 0.10 [.079 ± .004]
 $A \pm 0.20$ [.008]

4.70 ± 0.25 [.185 ± .010]
 1.80 ± 0.20 [.071 ± .008]

$B \pm 0.25$ [.010]



6.10 ± 0.20 [.240 ± .008]



0.50 [.020]

CIRCUIT 1

3.40 ± 0.20 [.134 ± .008]

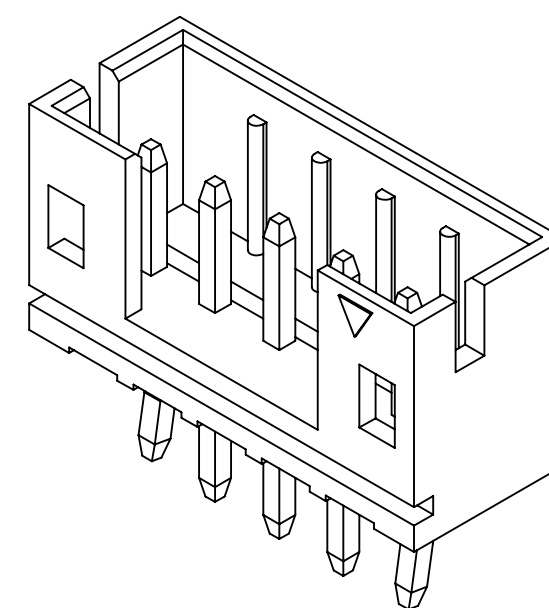
P/N: SWR201-NREN-S__-SA-WH

4.70 ± 0.25 [.185 ± .010]
 1.80 ± 0.20 [.071 ± .008]

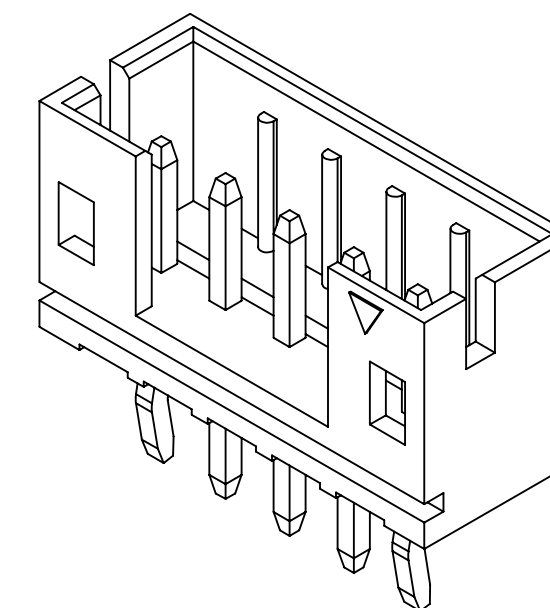
0.80 ± 0.20 [.031 ± .008]

3.40 ± 0.20 [.134 ± .008]

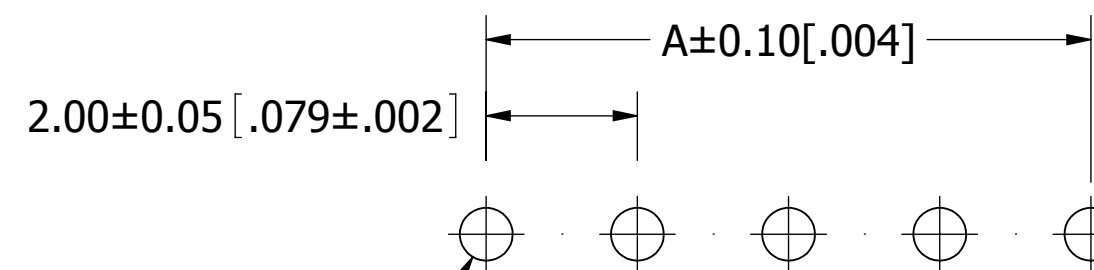
P/N: SWR201-NREN-S__-SB-WH



SWR201-NREN-S__-SA-WH



SWR201-NREN-S__-SB-WH



2.00 ± 0.05 [.079 ± .002]

$A \pm 0.10$ [.004]

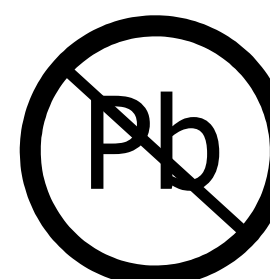
$\phi 0.70^{+0.10}_{0.00}$ [.028^{+0.004}_{-.000}]

RECOMMENDED PCB LAYOUT

Part Number	Positions/ Contacts	A		B	
		MM	INCH	MM	INCH
SWR201-NREN-S02-S__-WH	02/02	2.00	0.079	6.00	0.236
SWR201-NREN-S03-S__-WH	03/03	4.00	0.157	8.00	0.315
SWR201-NREN-S04-S__-WH	04/04	6.00	0.236	10.00	0.394
SWR201-NREN-S05-S__-WH	05/05	8.00	0.315	12.00	0.472
SWR201-NREN-S06-S__-WH	06/06	10.00	0.394	14.00	0.551
SWR201-NREN-S07-S__-WH	07/07	12.00	0.472	16.00	0.630
SWR201-NREN-S08-S__-WH	08/08	14.00	0.551	18.00	0.709
SWR201-NREN-S09-S__-WH	09/09	16.00	0.630	20.00	0.787
SWR201-NREN-S10-S__-WH	10/10	18.00	0.709	22.00	0.866
SWR201-NREN-S11-S__-WH	11/11	20.00	0.787	24.00	0.945
SWR201-NREN-S12-S__-WH	12/12	22.00	0.866	26.00	1.024
SWR201-NREN-S13-S__-WH	13/13	24.00	0.945	28.00	1.102
SWR201-NREN-S14-S__-WH	14/14	26.00	1.024	30.00	1.181
SWR201-NREN-S15-S__-WH	15/15	28.00	1.102	32.00	1.260
SWR201-NREN-S16-S__-WH	16/16	30.00	1.181	34.00	1.339
SWR201-NREN-S17-S__-WH	17/17	32.00	1.260	36.00	1.417
SWR201-NREN-S18-S__-WH	18/18	34.00	1.339	38.00	1.496

NOTES:

- INSULATOR MATERIAL: NYLON66, UL94V-0, COLOR:WHITE.
- CONTACT MATERIAL: BRASS.
- CONTACT PLATING: TIN OVERALL.
- CURRENT RATING: 2 AMPS.
- VOLTAGE RATING: 100V AC/DC.
- INSULATOR RESISTANCE: 1000 MEGOHMS MIN.
- CONTACT RESISTANCE: 10 MILLIOHMS MAX.
- DIELECTRIC WITHSTANDING VOLTAGE: 800V AC.
- OPERATING TEMPERATURE: -25° C TO +85° C.
- MATES WITH SWH201 SERIES SINGLE ROW HOUSING.



RoHS COMPLIANT

UNLESS OTHERWISE SPECIFIED:
 DIMENSIONS ARE IN MM(INCHES)

TOLERANCES:
 ANGULAR: ± 5°
 .X= ± .3 [.01]
 .XX= ± .15 [.006]
 .XXX= ± .050 [.0020]
 SURFACE FINISH: 63 R_a
 REMOVE ALL BURRS AND SHARP EDGES .010 MAX

INTERPRET DIMENSIONS AND GEOMETRIC
 TOLERANCING
 PER: ANSI Y14.5M-1994

DATE	NAME
9/03/09	JH

THE INFORMATION HEREIN CONTAINS
 PROPRIETARY INFORMATION OF
 SULLINS ELECTRONICS AND IS NOT
 TO BE REPRODUCED, USED OR
 DISCLOSED TO OTHERS FOR ANY
 PURPOSE EXCEPT AS SPECIFICALLY
 AUTHORIZED IN WRITING BY AN
 OFFICER OF SULLINS ELECTRONICS.

SULLINS CONNECTOR SOLUTIONS	
DESCRIPTION	WAFER, 2mm CC 1 ROW
PART NUMBER	SWR201-NREN-S__-S__-WH
SIZE	DWG. NO.
C	11298
SCALE: 10:1	SHEET 1 OF 1