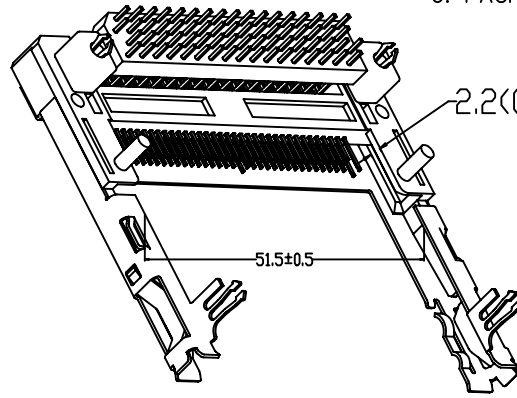
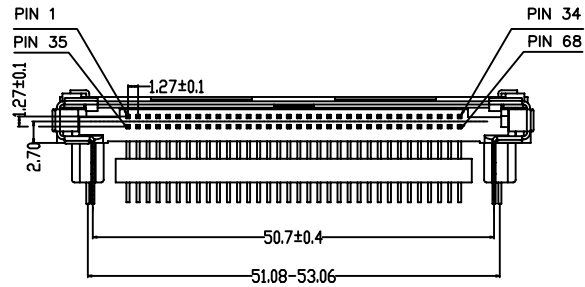
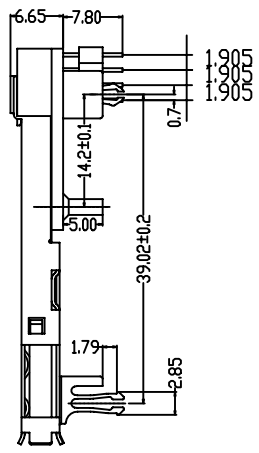
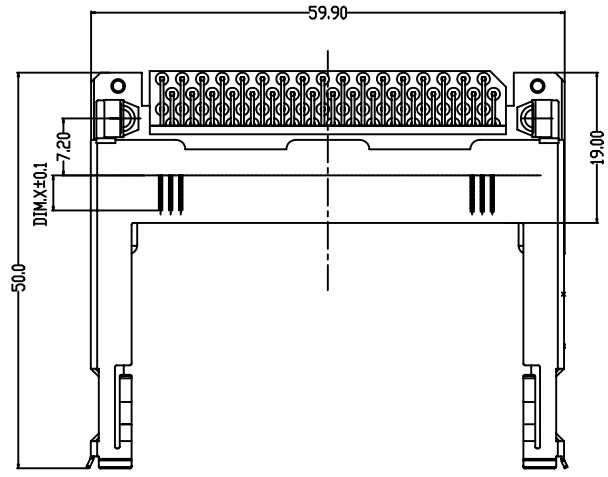


FCI CONFIDENTIAL

PRODUCT NO.

10067972-050LF



NOTES:

- 1. MATERIAL
  - 1.1 HEADER ASS'Y:
    - PLASTIC : HOUSING ... PLASTIC UL94V-0 BLACK
    - PIN : COPPER ALLOY
    - COVER PLATE : STAINLESS
    - PLATING (AT HOLD DOWN AREA): BRIGHT PURE
    - TIN 2.54uM Min OVER 0.508uM Ni Min
    - HOLDDOWN : COPPER ALLOY
    - PLATING: BRIGHT PURE TIN 2.54uM Min OVER 0.508uM Ni Min

- 2. FINISH (PIN)
  - UNDER PLATING : 1.27uM MIN. Ni
  - CONTACT AREA : 0.25 uM MIN. GOLD OVER
  - SOLDER TAIL : 2.5 uM MIN. PURE TIN

3. DIM "X"

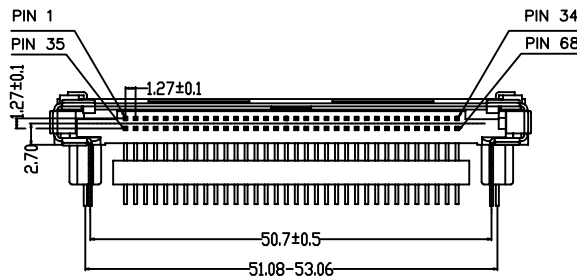
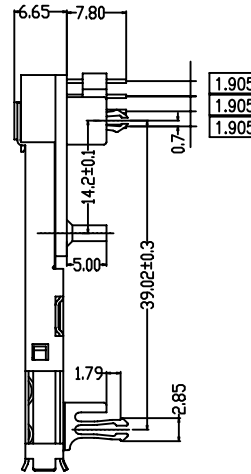
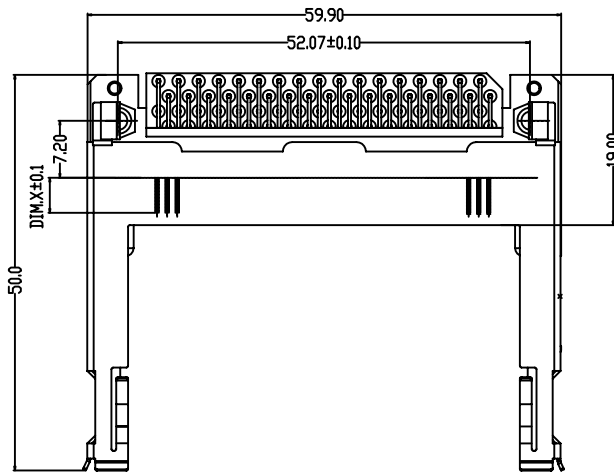
4.25 ± 0.1	3.5 ± 0.1	5.0 ± 0.1
OTHERS	36,67	1,17,34,35,51,68

- 4. IF LEAD FREE P/N, THE HOUSING WILL WITHSTAND EXPOSURE TO 260° C PEAK TEMPERATURE FOR 10 SECONDS IN A WAVE SOLDER APPLICATION WITH A 1.60MM MINIMUM THICK CIRCUIT BOARD.
- 5. LEAD FREE PRODUCT MEETS EUROPEAN UNION DIRECTIVES AND OTHER COUNTRY REGULATIONS AS DISCRIBLED IN GS-22-008
- 6. PACKAGE MEETS GS-14-1090 SPECIFICATION

mat'l. code		surface		tolerance		projection		product family	
		ISO 1302		ISO 406 ISO 101		ISO 101		PCMCIA	
ltr	ecn no	dr	date	tolerances unless otherwise specified					
A	N06-0195	MZ	07/14/06	angles	.X ± 0.5		MM		title
B	N07-0009	MZ	01/09/07	linear	.XX ± 0.15		←		PCMCIA ASS'Y ( 3.3V )
C	N07-0209	MZ	11/12/07	±2'	.XXX ± 0.10		scale (1:1)		REV: B
D	N08-0099	MZ	05/21/08	dr	Mike Zhou	07/14/06			dwg no
E	N08-0160	MZ	08/03/08	engr	Mike Zhou	07/14/06			sheet 1 of 6 size
F	N08-0219	MZ	10/09/08	chr	Qin David	07/14/06			10067972
				appd	Wang Jack	07/14/06			A4
sheet	revision	F	F	F	F	F			
index	sheet	1	2	3	4	5			

This document is the property of and embodies CONFIDENTIAL and PROPRIETARY information of FCI. No part of the information shown on this document may be used in any way or disclosed to others without the written consent of FCI. Copyright FCI.

PRODUCT NO.  
10067972-050MLF



NOTES:

1. MATERIAL

1.1 HEADER ASS'Y:

HOUSING: PBT, BLACK.

PIN : COPPER ALLOY.

COVER PLATE : SPCC.

PLATING: ALL AREA PLATING 150" NICKEL Min

HOLDDOWN : COPPER ALLOY

PLATING: BRIGHT PURE TIN 2.54uM Min  
OVER 0.508uM NI Min

LOCATOR: PBT, BLACK.

2. FINISH (PIN)

UNDER PLATING : 1.27um MIN. Ni

CONTACT AREA : 0.075um MIN. GOLD OVER

SOLDER TAIL : 2.5 um MIN. PURE TIN

3. DIM "X"

4.25±0.1	3.5±0.1	5.0±0.1
OTHERS	36,67	1,17,34,35,51,68

4. IF LEAD FREE P/N, THE HOUSING WILL WITHSTAND EXPOSURE TO 260° C PEAK TEMPERATURE FOR 10 SECONDS IN A WAVE SOLDER APPLICATION WITH A 1.00MM MINIMUM THICK CIRCUIT BOARD.

5. LEAD FREE PRODUCT MEETS EUROPEAN UNION DIRECTIVES AND OTHER COUNTRY REGULATIONS AS DESCRIBED IN GS-22-008

6. IF LEAD FREE P/N, PACKAGE MEETS GS-14-1090 SPECIFICATION

mat'l. code		surface	tolerance	projection	product family
		ISO 1302	ISO 406 ISO 101		PCMCIA
ltr	ecn no	dr	date	tolerances unless otherwise specified	
F				angles	linear
				linear	.X±0.5
				±2'	.XX±0.15
					.XXX±0.10
		dr	Mike Zhou 07/14/06	scale (1:1)	
		enr	Mike Zhou 07/14/06		dwg no
		chr	Qin David 07/14/06		sheet 2of 6 size
		appd	Wang Jack 07/14/06		10067972 A4
sheet	revision			type	CUSTOMER Drawing
index	sheet				

This document is the property of and embodies CONFIDENTIAL and PROPRIETARY information of FCI. No part of the information shown on this document may be used in any way or disclosed to others without the written consent of FCI. Copyright FCI.

FCI CONFIDENTIAL

PRODUCT NO.

10067972-000LF

NOTES:

1. MATERIAL

1.1 HEADER ASS'Y:

PLASTIC : HOUSING ...PLASTIC UL94V-0 BLACK  
 PIN : COPPER ALLOY  
 FRONT HOLD DOWN: PHOSPHOR BRONZE.  
 COVER PLATE : STAINLESS STEEL  
 PLATING(ALL AREA): BRIGHT PURE

TIN 1.5uM Min [NOTE: MAKE SURE PLATING THICKNESS OF HOLD DOWN AREA MEETS THIS REQUEST, NOT CONTROL OTHER AREA]

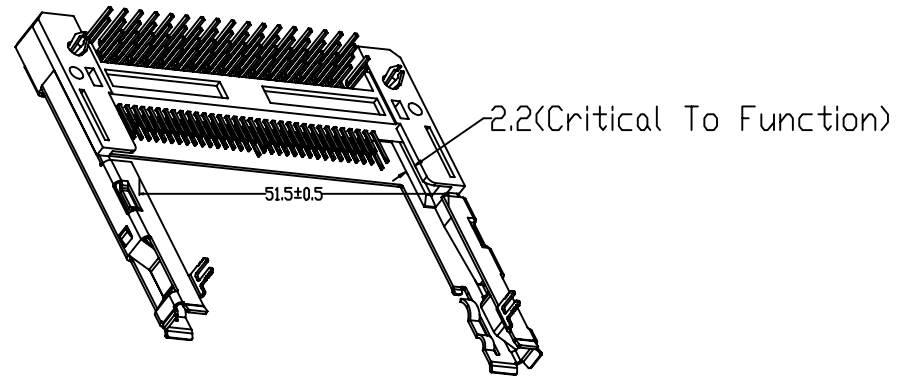
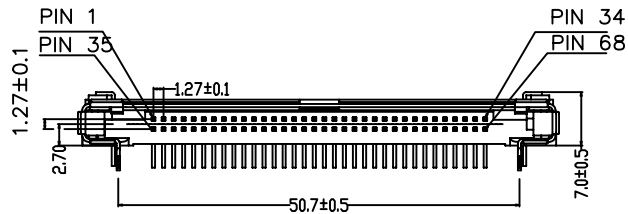
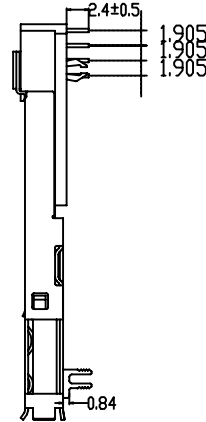
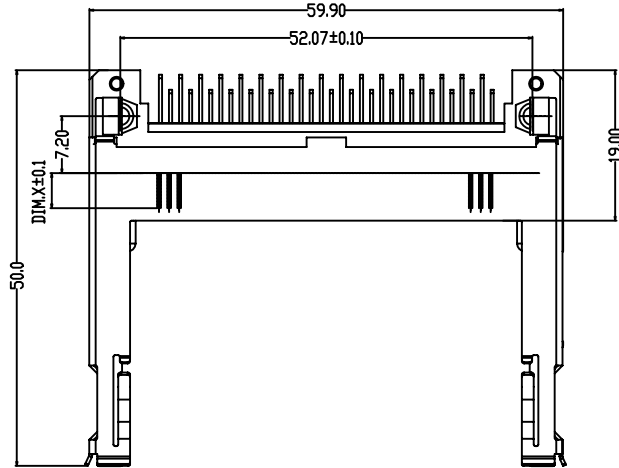
2. FINISH (PIN)

UNDER PLATING : 50u" MIN. Ni  
 CONTACT AREA : 3u" MIN. GOLD OVER  
 SOLDER TAIL : 100u" MIN. PURE TIN

3. DIM "X"

4.25±0.1	3.5±0.1	5.0±0.1
OTHERS	36,67	1,17,34,35,51,68

4. IF LEAD FREE P/N, THE HOUSING WILL WITHSTAND EXPOSURE TO 260° C PEAK TEMPERATURE FOR 10 SECONDS IN A WAVE SOLDER APPLICATION WITH A 1.2MM MINIMUM THICK CIRCUIT BOARD.  
 5. LEAD FREE PRODUCT MEETS EUROPEAN UNION DIRECTIVES AND OTHER COUNTRY REGULATIONS AS DISCRIBLED IN GS-22-008  
 6. PACKAGE MEETS GS-14-1090 SPECIFICATION



mat'l. code		surface	tolerance	projection	product family
		ISO 1302	ISO 406 ISO 101		PCMCIA
ltr	ecn no	dr	date	tolerances unless otherwise specified	title
E				angles	PCMCIA ASS'Y ( 3.3V )
				linear	MM
				±2'	scale (1:1)
		dr	Mike Zhou 07/14/06		dwg no
		enr	Mike Zhou 07/14/06		sheet 3of 6 size
		chr	Qin David 07/14/06		10067972 A4
		appd	Wang Jack 07/14/06		type CUSTOMER Drawing
sheet	revision				
index	sheet				

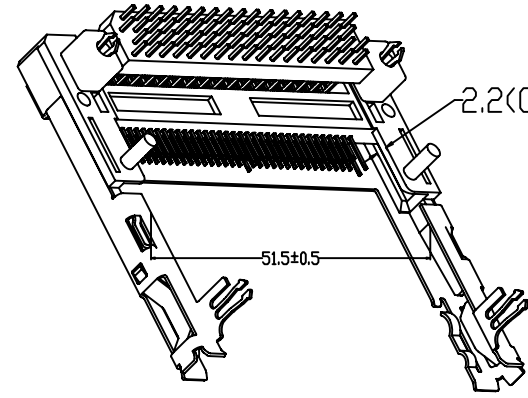
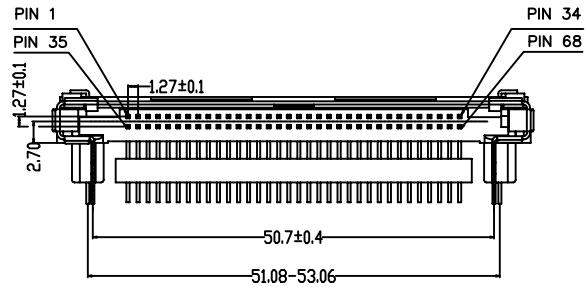
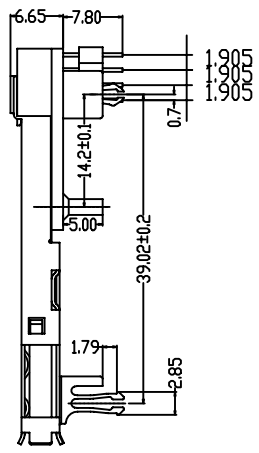
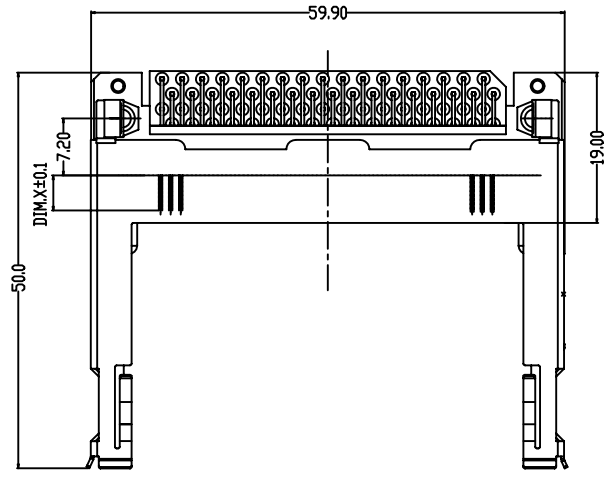
This document is the property of and embodies CONFIDENTIAL and PROPRIETARY information of FCI. No part of the information shown on this document may be used in any way or disclosed to others without the written consent of FCI. Copyright FCI.

FCIconnect.com

FCI CONFIDENTIAL

PRODUCT NO.

10067972-051LF



NOTES:

1. MATERIAL

1.1 HEADER ASS'Y:

- PLASTIC : HOUSING ... PLASTIC UL94V-0 BLACK
- PIN : COPPER ALLOY
- COVER PLATE : STAINLESS
- PLATING (AT HOLD DOWN AREA): BRIGHT PURE
- TIN 2.54µm Min OVER 0.508µm Ni Min
- HOLDDOWN : COPPER ALLOY
- PLATING: BRIGHT PURE TIN 2.54µm Min
- OVER 0.508µm Ni Min

2. FINISH (PIN)

- UNDER PLATING : 1.27µm MIN. Ni
- CONTACT AREA : 0.25 µm MIN. GOLD OVER
- SOLDER TAIL : 2.5 µm MIN. PURE TIN

3. DIM "X"

4.25±0.1	3.5±0.1	5.0±0.1
OTHERS	36,67	1,17,34,35,51,68

- 4. IF LEAD FREE P/N, THE HOUSING WILL WITHSTAND EXPOSURE TO 260° C PEAK TEMPERATURE FOR 10 SECONDS IN A WAVE SOLDER APPLICATION WITH A 1.20MM MINIMUM THICK CIRCUIT BOARD.
- 5. LEAD FREE PRODUCT MEETS EUROPEAN UNION DIRECTIVES AND OTHER COUNTRY REGULATIONS AS DISCRIBLED IN GS-22-008
- 6. PACKAGE MEETS GS-14-1090 SPECIFICATION

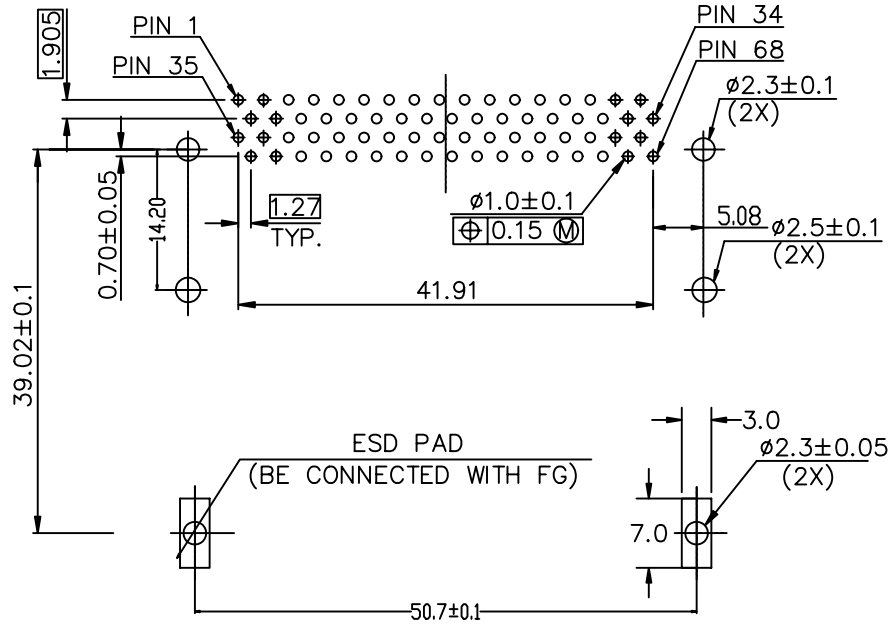
mat'l. code		surface ISO 1302		tolerance ISO 406 ISO 101		projection 101		product family PCMCIA	
ltr		ecn no		dr		date		title	
F								PCMCIA ASS'Y ( 3.3V )	
								scale (1:1)	
								sheet 4of 6 size	
								10067972 A4	
								type CUSTOMER Drawing	
sheet		revision							
index		sheet							

This document is the property of and embodies CONFIDENTIAL and PROPRIETARY information of FCI. No part of the information shown on this document may be used in any way or disclosed to others without the written consent of FCI. Copyright FCI.

PRODUCT NO.

10067972-050LF/050MLF

FCI CONFIDENTIAL



4 CARD INSERTION DIRECTION  
RECOMMENDED FOOT PRINT(MOUNTED SIDE)

This document is the property of and embodies CONFIDENTIAL and PROPRIETARY information of FCI. No part of the information shown on this document may be used in any way or disclosed to others without the written consent of FCI. Copyright FCI.

mat'l. code		surface		tolerance		projection		product family	
		ISO 1302		ISO 406 ISO 1101				PCMCIA	
ltr		ecm no		dr		date		title	
F								PCMCIA ASS'Y ( 3.3V )	
		angles		linear					
		±2'		.X±0.5		.XX±0.15		scale 1:1	
		dr		Mike Zhou		07/14/06		dwg no	
		enrg		Mike Zhou		07/14/06		sheet 5of 6 size	
		chr		Qin David		07/14/06		10067972 A4	
		appd		Wang Jack		07/14/06		type CUSTOMER Drawing	
sheet		revision							
index		sheet							



1

2 3

4

5

6

PRODUCT NO.

10067972-000LF

4 CARD INSERTION DIRECTION  
RECOMMENDED FOOT PRINT(MOUNTED SIDE)

mat'l. code		surface		tolerance		projection		product family	
		ISO 1302		ISO 406 ISO 1101				PCMCIA	
ltr		ecm no		dr		date		title	
F								PCMCIA ASS'Y ( 3.3V )	
		angles		linear				dwg no	
		±2'		.X±0.5 .XX±0.15 .XXX±0.10		scale 1:1		sheet 6of 6 size	
		dr		Mike Zhou		07/14/06		10067972	
		enr		Mike Zhou		07/14/06		A4	
		chr		Qin David		07/14/06		type	
		appd		Wang Jack		07/14/06		CUSTOMER Drawing	
sheet		revision							
index		sheet							

This document is the property of and embodies CONFIDENTIAL and PROPRIETARY information of FCI. No part of the information shown on this document may be used in any way or disclosed to others without the written consent of FCI.  
Copyright FCI

form: A3

PDM! Rev:F

STATUS: Released

Printed: Dec 12, 2008

6

FCI CONFIDENTIAL

  
FCIconnect.com