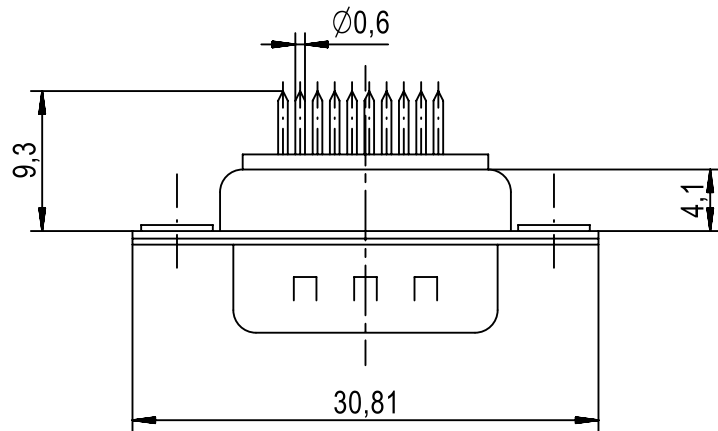
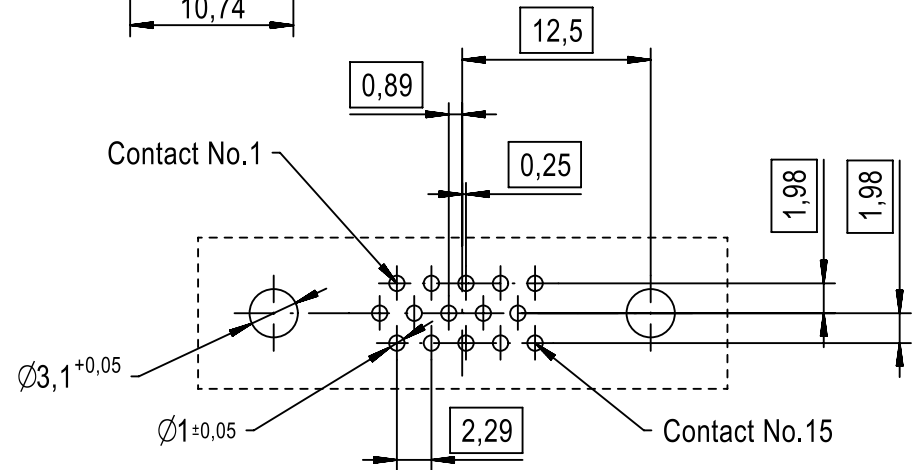



PC-Board layout
view component side
thickness 1,6 mm



	All rights reserved Department EC PD - FR	All Dimensions in mm Original Size DIN A4			Scale 2:1	Free size tol.	Ref.
		Created by DOUGE	Inspected by BAGDIKIAN	Standardisation HOFFMANN	Date 2013-10-25	State Final Release	
HARTING Electronics GmbH D-32339 Espelkamp		Title D-Sub HD 15P male straight solder pins				Doc-Key / ECM-Nr. 100513323/UGD/001/B 500000065862	
Type TB		Number 0956161X700				Rev. B	Page 1/1

09561615700	S4
09561617700	3
Part number	Performance level