

QPD QSK GY 5X6,0 FS - Protective cap



1411401

<https://www.phoenixcontact.com/us/products/1411401>

Please be informed that the data shown in this PDF document is generated from our online catalog. Please find the complete data in the user documentation. Our general terms of use for downloads are valid.

Protective cap, plastic, for QUICKON connection, gray, with retaining cord, IP68



Commercial data

Item number	1411401
Packing unit	1 pc
Minimum order quantity	1 pc
Sales key	BF50
Product key	BF6ZWX
Catalog page	Page 494 (C-2-2019)
GTIN	4046356932042
Weight per piece (including packing)	25.1 g
Weight per piece (excluding packing)	25.1 g
Customs tariff number	39269097
Country of origin	PL

QPD QSK GY 5X6,0 FS - Protective cap

1411401

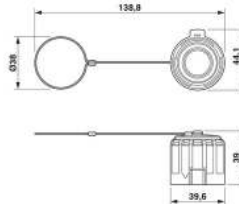
<https://www.phoenixcontact.com/us/products/1411401>

Technical data

Product properties

Type	QPD
Product type	Protective cap
Product family	QPD
Seal present	yes
Series	QPD

Dimensions

Dimensional drawing	
Width	39.6 mm
Height	39 mm
Length	39.6 mm
Diameter	38 mm (Retaining cord eyelet)

Material specifications

Material	PBT
Flammability rating according to UL 94	V0

Environmental and real-life conditions

Ambient conditions

Degree of protection	IP66
	IP68 (2 m / 24 h)
	IP69K
Ambient temperature (operation)	-40 °C ... 100 °C
Ambient temperature (storage/transport)	-40 °C ... 100 °C

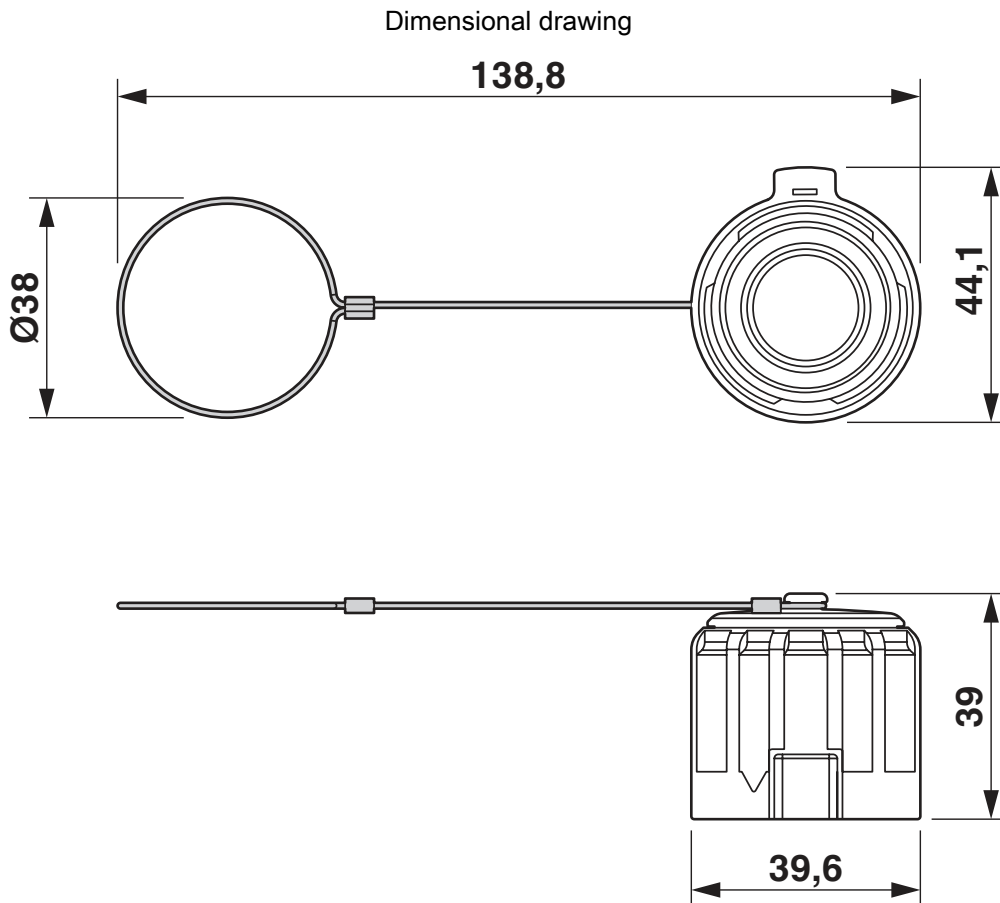
QPD QSK GY 5X6,0 FS - Protective cap



1411401

<https://www.phoenixcontact.com/us/products/1411401>

Drawings



QPD QSK GY 5X6,0 FS - Protective cap



1411401

<https://www.phoenixcontact.com/us/products/1411401>

Approvals

🔗 To download certificates, visit the product detail page: <https://www.phoenixcontact.com/us/products/1411401>



DNV GL

Approval ID: TAE00003J5

QPD QSK GY 5X6,0 FS - Protective cap



1411401

<https://www.phoenixcontact.com/us/products/1411401>

Classifications

ECLASS

ECLASS-11.0	27440208
ECLASS-12.0	27440208
ECLASS-13.0	27440208

ETIM

ETIM 8.0	EC002314
----------	----------

UNSPSC

UNSPSC 21.0	39121400
-------------	----------

QPD QSK GY 5X6,0 FS - Protective cap



1411401

<https://www.phoenixcontact.com/us/products/1411401>

Environmental product compliance

China RoHS	Environmentally friendly use period: unlimited = EFUP-e
	No hazardous substances above threshold values

Phoenix Contact 2023 © - all rights reserved
<https://www.phoenixcontact.com>

Phoenix Contact USA
586 Fulling Mill Road
Middletown, PA 17057, United States
(+717) 944-1300
info@phoenixcon.com