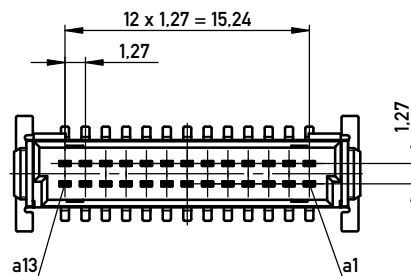
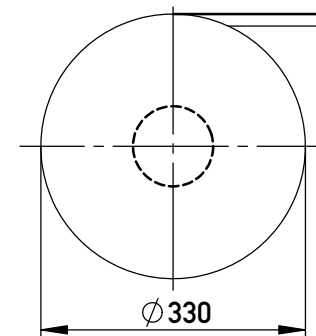


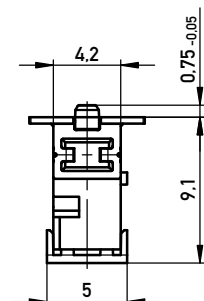
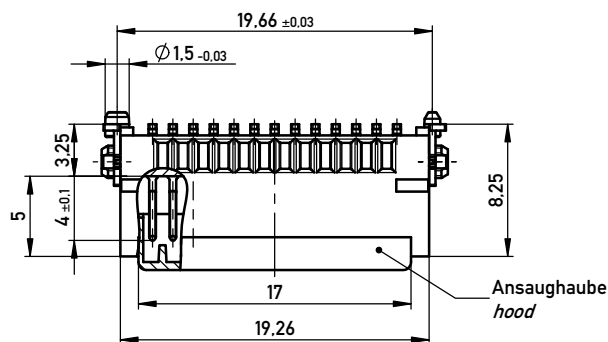
ohne Ansaughaube - without hood



Verpackt in Gurtverpackung  
Tape on Reel Packaging  
Verpackungseinheit: 280 Stück  
Packaging unit: 280 pcs



Abspulrichtung - Reel off Direction

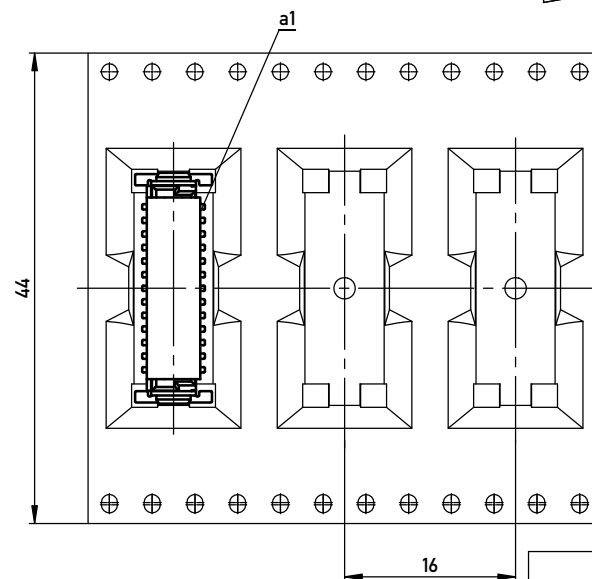


Anforderungsstufe 1  
Performance Level 1

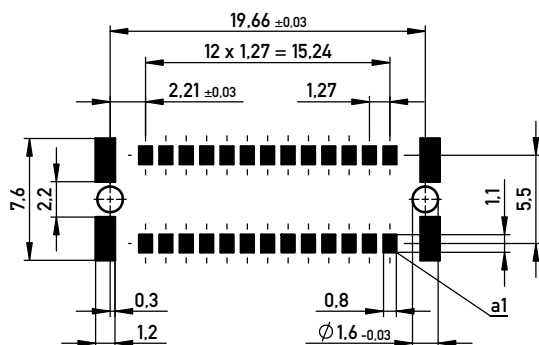
Kontaktbereich vergoldet  
Mating Area gold plating

Anschlussbereich verzinkt 4-6 µm  
Terminal Area 4-6 µm tin plating

Koplanarität der Anschlüsse ≤ 0.1 mm  
Coplanarity Area of Termination ≤ 0.1 mm



Leiterplatten-Layout Vorschlag für SMT  
PCB-Layout Proposal for SMT



BA 8-03 - Standard Bauhöhe

type 8-03 - Standard Assembly Height

Information:	Tolerances	 All Dimensions in mm	Scale	3:1
	All rights reserved. Only for Information. To ensure that this is the latest version of this drawing, please contact one of the ERNI companies before using.			
Subject to modification without prior notice. Drawing will not be updated.		Designation		
www.ERNI.com		<b>Messrl. SMC-Q 26-SMD-BA8-03</b> <b>Male SMC-Q 26-SMD-type8-03</b>		
d	08.07.2013	244855		I
Index	Date	Class		A3
		SMCQ		