

| REVISIONS | | | | |
|-----------|-----|------------------------|-----------|----------|
| REV. | ECN | DESCRIPTION | DATE | APPROVED |
| A | | INITIAL RELEASE | FEB 07/14 | J. SI |
| B | | UPDATE PLATING OPTIONS | JUN 25/14 | J. SI |
| C | | UPDATE NOTES | AUG 15/14 | J. SI |

AMPHENOL PART NUMBER CONFIGURATION
 UE86-3G1620-X0X61

LIGHT PIPE OPTION

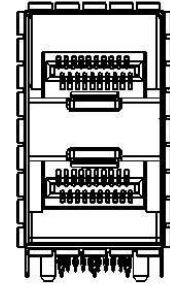
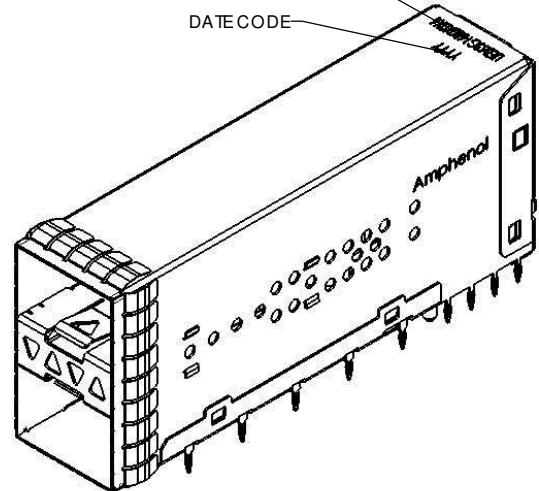
- 0 - NO LIGHT PIPE
- 1 - 4 LP PER 2X1, NORMAL ORIENTATION
- 2 - 2 INNER LP PER 2X1, NORMAL ORIENTATION
- 3 - 2 OUTER LP PER 2X1, NORMAL ORIENTATION
- 4 - 4 LP PER 2X1, REVERSING ORIENTATION
- 5 - 2 INNER LP PER 2X1, REVERSING ORIENTATION
- 6 - 2 OUTER LP PER 2X1, REVERSING ORIENTATION
- 7 - 3 LP PER 2X1, 2 OUTER LP, NORMAL ORIENTATION
- 8 - 3 LP PER 2X1, 2 OUTER LP, REVERSING ORIENTATION

PACKAGING

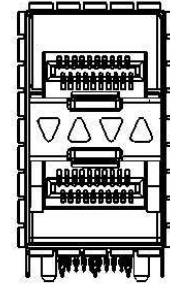
- 1 - TRAY PACKAGING (STACKED)
- PLATING OPTIONS FOR CONNECTOR
- 2 - 30µ" GOLD PLATING ON MATING AREA
15-100µ" MATTE TIN ON TERMINATION
 - 3 - 30µ" GOLD PLATING ON MATING AREA
150-300µ" MATTE TIN ON TERMINATION
 - 5 - 15µ" GOLD PLATING ON MATING AREA
15-100µ" MATTE TIN ON TERMINATION
 - 6 - 15µ" GOLD PLATING ON MATING AREA
150-300µ" MATTE TIN ON TERMINATION

PART NUMBER
 (LAST DIGIT INDICATING
 PACKAGING TYPE, NOT
 PRINTED ON THE PART)

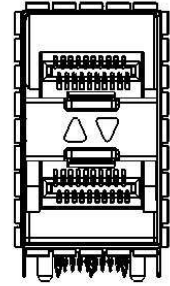
DATE CODE



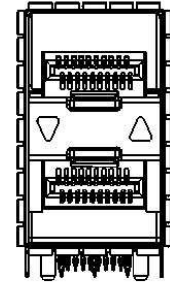
NO LIGHT PIPES
 UE86-3G1620-00X61



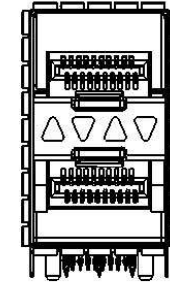
4 LIGHT PIPES
 UE86-3G1620-10X61



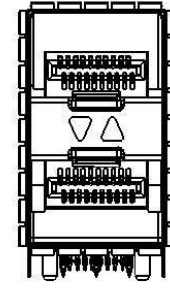
2 INNER LIGHT PIPES
 UE86-3G1620-20X61



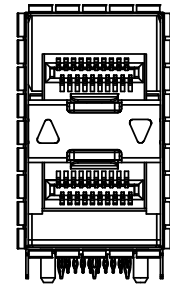
2 OUTER LIGHT PIPES
 UE86-3G1620-30X61



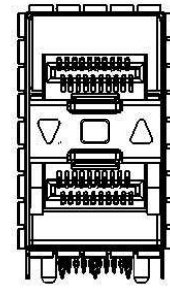
4 LIGHT PIPES UPSIDE DOWN
 UE86-3G1620-40X61



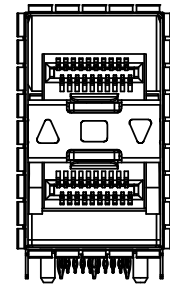
2 INNER LIGHT PIPES UPSIDE DOWN
 UE86-3G1620-50X61



2 OUTER LIGHT PIPES UPSIDE DOWN
 UE86-3G1620-60X61



3 LIGHT PIPES
 UE86-3G1620-70X61



3 LIGHT PIPES UPSIDE DOWN
 UE86-3G1620-80X61

MATERIAL: (RoHS COMPLIANT)

1. CAGE - PRESS FIT: COPPER ALLOY (NICKEL SILVER)
2. CONNECTOR - PRESS FIT:
 - PLASTIC HOUSING: LCP, FLAMMABILITY RATING UL94-V0
 - CONTACTS: PHOSPHOR BRONZE
3. LIGHT PIPE: CLEAR POLYCARBONATE, FLAMMABILITY RATING UL94-V0
4. PACKAGING: TRAY PACKAGING
5. TEMPERATURE RANGE: -40°C TO +85°C



| | | | |
|-------------------------------|------------------------|------------|-----------|
| UNLESS SPECIFIED OTHERWISE | DRAWN | P. OU | FEB 06/14 |
| DIMENSIONS ARE IN MILLIMETERS | CHECKED | J. SI | FEB 06/14 |
| REFERENCE IN PARENTHESES | M.E. APP'D | | |
| GENERAL TOLERANCES | Q.A. APP'D | | |
| 1 DECIMAL PLACE ±0.25 | DWG APP'D | J. SI | FEB 06/14 |
| 2 DECIMAL PLACE ±0.15 | MATERIAL AND FINISH | SEE NOTES | |
| 3 DECIMAL PLACE N/A | REF. | ECN Exxxxx | |
| ANGULAR DEGREES ±1° | THIRD ANGLE PROJECTION | | |
| ENG. REL. NO. | DO NOT SCALE DRAWING | | |

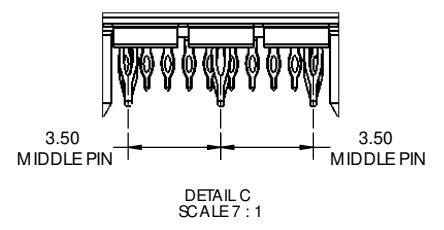
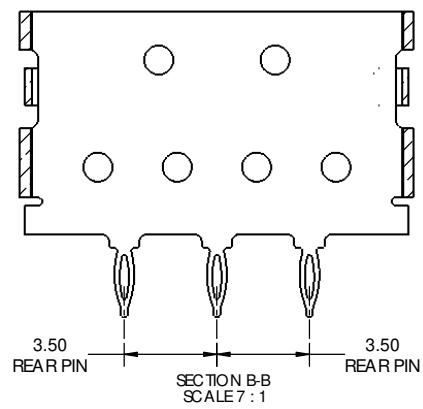
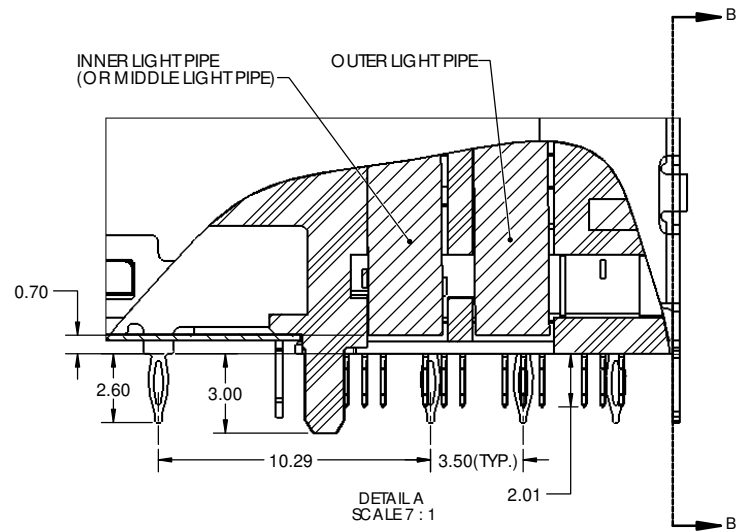
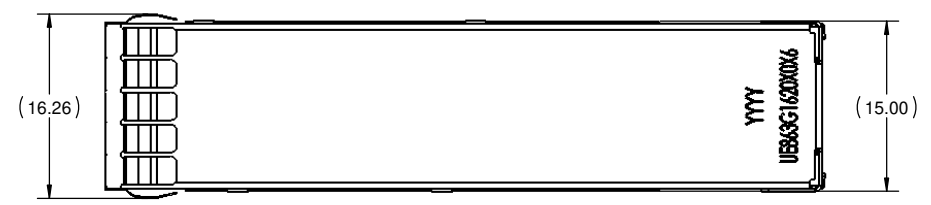
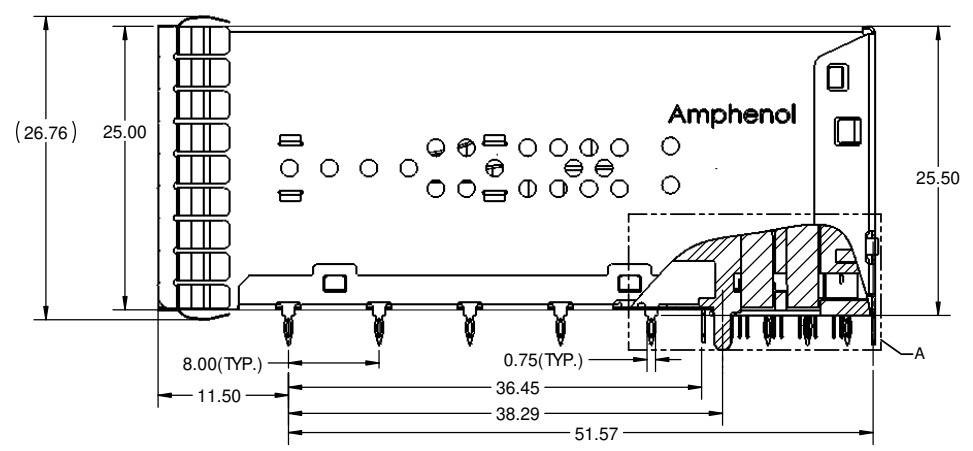
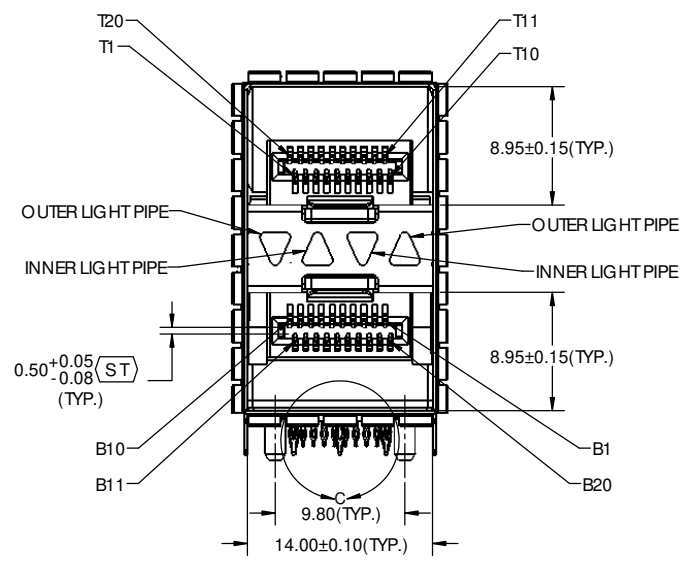
Amphenol High Speed Interconnects
 A Division of Amphenol Corp. www.amphenolcanada.com

2X1 SFP ULTRA PORT WITH LIGHT PIPE
 OPTIONS AND EMI SPRING FINGER

DWG. NO. P-UE86-3G1620-X0X61

CODE ID NO. 03554 | DWG SIZE: C | SCALE: 2.5:1 | SHEET 1 OF 4

| REVISIONS | | | | |
|-----------|-----|------------------------|-----------|----------|
| REV. | ECN | DESCRIPTION | DATE | APPROVED |
| A | | INITIAL RELEASE | FEB 07/14 | J. SI |
| B | | UPDATE PLATING OPTIONS | JUN 25/14 | J. SI |
| C | | UPDATE NOTES | AUG 15/14 | J. SI |



| | | | |
|-------------------------------|------------------------|----------------------|-----------|
| UNLESS SPECIFIED OTHERWISE | DRAWN | P. OU | FEB 06/14 |
| DIMENSIONS ARE IN MILLIMETERS | CHECKED | J. SI | FEB 06/14 |
| REFERENCE IN PARENTHESES | M.E. APP'D | | |
| GENERAL TOLERANCES | Q.A. APP'D | | |
| 1 DECIMAL PLACE ±0.25 | DWG APP'D | J. SI | FEB 06/14 |
| 2 DECIMAL PLACE ±0.15 | MATERIAL AND FINISH | SEE NOTES | |
| 3 DECIMAL PLACE N/A | REF. | ECN Exxxx | |
| ANGULAR DEGREES ±1° | THIRD ANGLE PROJECTION | DO NOT SCALE DRAWING | |
| ENG. REL. NO. | | | |

Amphenol High Speed Interconnects
 A Division of Amphenol Corp. www.amphenolcanada.com

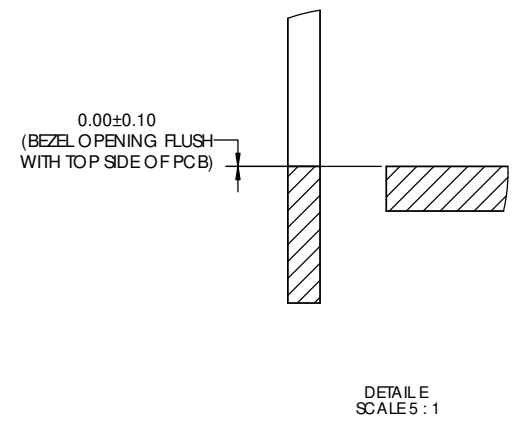
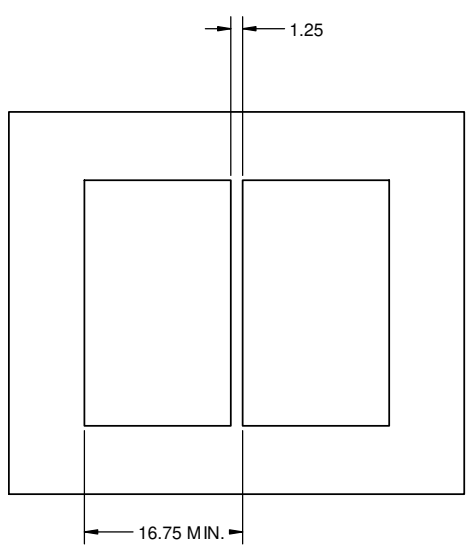
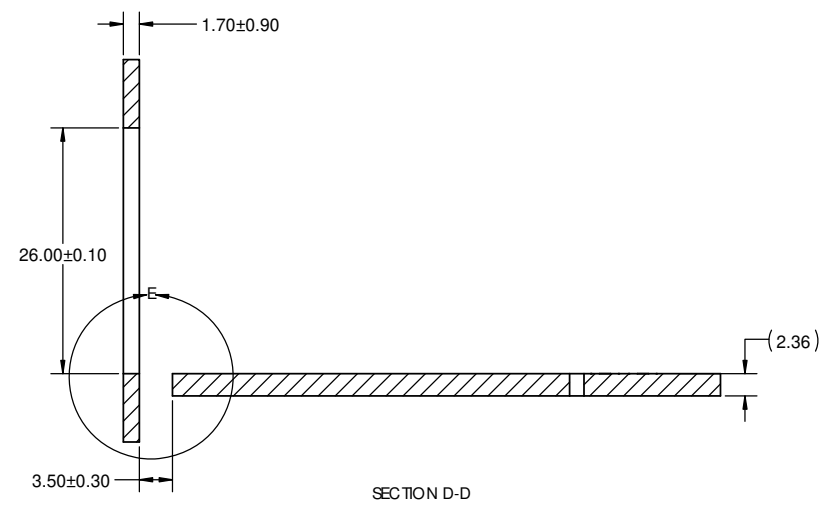
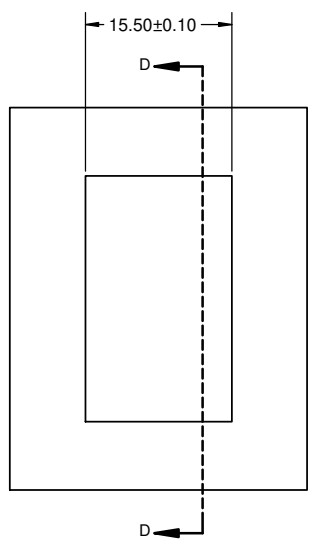
2X1 SFP ULTRAPORT WITH LIGHT PIPE OPTIONS AND EMI SPRING FINGER

DWG. NO. **P-UE86-3G1620-X0X61** REV **C**

CODE ID NO. 03554 DWG SIZE: C SCALE: 3:1 SHEET 2 OF 4

THIS DOCUMENT CONTAINS PROPRIETARY INFORMATION AND SUCH INFORMATION MAY NOT BE DISCLOSED TO OTHERS FOR ANY PURPOSE OR USED FOR MANUFACTURING PURPOSES WITHOUT WRITTEN PERMISSION FROM AMPHENOL CANADA CORP.

| REVISIONS | | | | |
|-----------|-----|------------------------|-----------|----------|
| REV. | ECN | DESCRIPTION | DATE | APPROVED |
| A | | INITIAL RELEASE | FEB 07/14 | J. SI |
| B | | UPDATE PLATING OPTIONS | JUN 25/14 | J. SI |
| C | | UPDATE NOTES | AUG 15/14 | J. SI |



THIS DOCUMENT CONTAINS PROPRIETARY INFORMATION AND SUCH INFORMATION MAY NOT BE DISCLOSED TO OTHERS FOR ANY PURPOSE OR USED FOR MANUFACTURING PURPOSES WITHOUT WRITTEN PERMISSION FROM AMPHENOL CANADA CORP.

| | | | |
|-------------------------------|------------------------|------------|-----------|
| UNLESS SPECIFIED OTHERWISE | DRAWN | P. OU | FEB 06/14 |
| DIMENSIONS ARE IN MILLIMETERS | CHECKED | J. SI | FEB 06/14 |
| REFERENCE IN PARENTHESES | M.E. APP'D | | |
| GENERAL TOLERANCES | Q.A. APP'D | | |
| 1 DECIMAL PLACE ±0.25 | DWG APP'D | J. SI | FEB 06/14 |
| 2 DECIMAL PLACE ±0.15 | MATERIAL AND FINISH | SEE NOTES | |
| 3 DECIMAL PLACE N/A | REF. | ECN Exxxxx | |
| ANGULAR DEGREES ±1° | THIRD ANGLE PROJECTION | | |
| ENG. REL. NO. | | | |

Amphenol High Speed Interconnects
A Division of Amphenol Corp. www.amphenolcanada.com

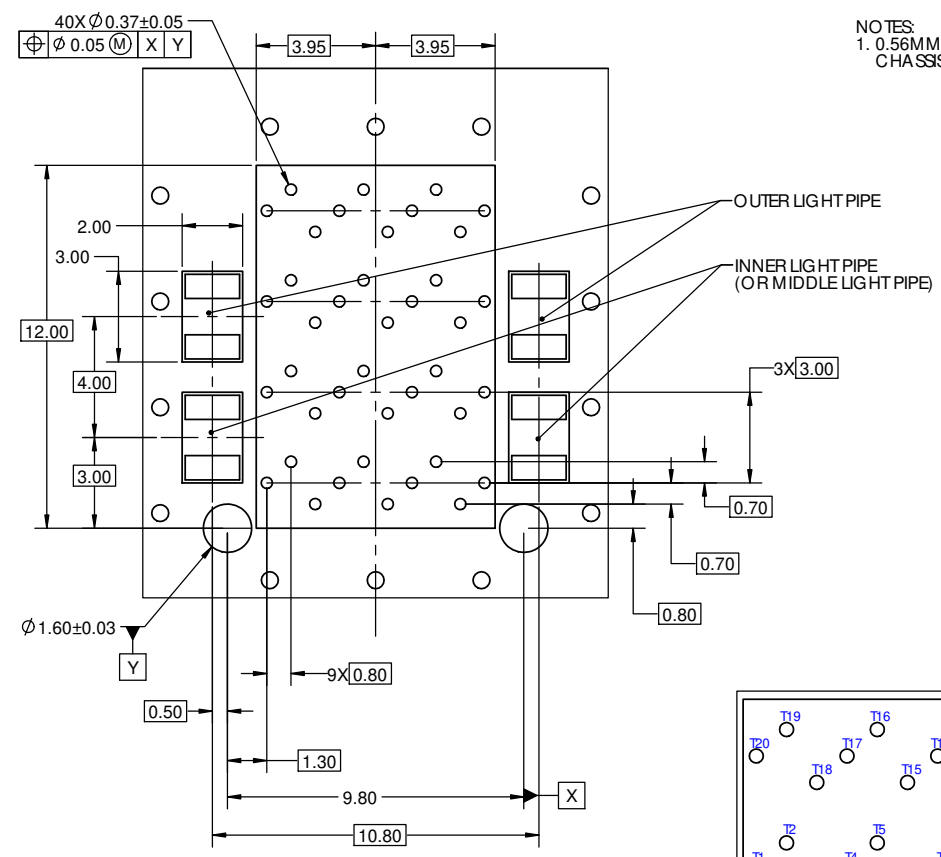
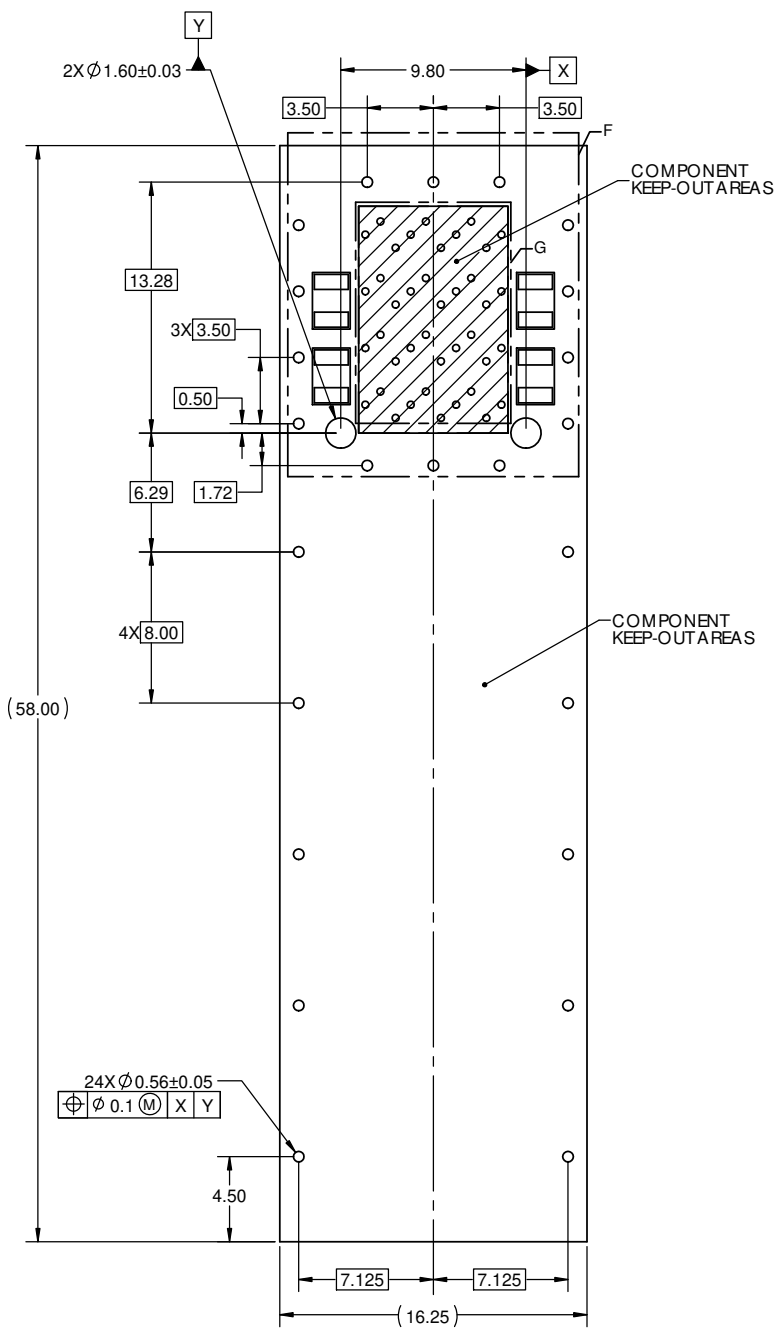
**2X1 SFP ULTRAPORT WITH LIGHT PIPE
OPTIONS AND EMI SPRING FINGER**

DWG. NO. **P-UE86-3G 1620-X0X61** REV **C**

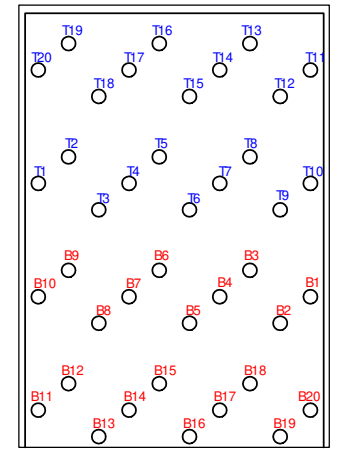
CODE ID NO. 03554 DWG SIZE: C SCALE: 2.5:1 SHEET 3 OF 4

| REVISIONS | | | | |
|-----------|-----|------------------------|-----------|----------|
| REV. | ECN | DESCRIPTION | DATE | APPROVED |
| A | | INITIAL RELEASE | FEB 07/14 | J. SI |
| B | | UPDATE PLATING OPTIONS | JUN 25/14 | J. SI |
| C | | UPDATE NOTES | AUG 15/14 | J. SI |

NOTES:
1. 0.56MM DIAMETER HOLES ARE CHASSIS GROUND (24 HOLES)



DETAIL F
SCALE 8 : 1



DETAIL G
SCALE 10 : 1

2X1 PCB LAYOUT

| | | | |
|-------------------------------|------------------------|----------------------|-----------|
| UNLESS SPECIFIED OTHERWISE | DRAWN | P. OU | FEB 06/14 |
| DIMENSIONS ARE IN MILLIMETERS | CHECKED | J. SI | FEB 06/14 |
| REFERENCE IN PARENTHESES | M.E. APP'D | | |
| GENERAL TOLERANCES | Q.A. APP'D | | |
| 1 DECIMAL PLACE ±0.25 | DWG APP'D | J. SI | FEB 06/14 |
| 2 DECIMAL PLACE ±0.15 | MATERIAL AND FINISH | SEE NOTES | |
| 3 DECIMAL PLACE N/A | REF. | ECN Exxxxx | |
| ANGULAR DEGREES ±1° | THIRD ANGLE PROJECTION | DO NOT SCALE DRAWING | |
| ENG. REL. NO. | | | |

Amphenol High Speed Interconnects
A Division of Amphenol Corp. www.amphenolcanada.com

**2X1 SFP ULTRAPORT WITH LIGHT PIPE
OPTIONS AND EMI SPRING FINGER**

DWG. NO. **P-UE86-3G 1620-X0X61** REV **C**

CODE ID NO. 03554 | DWG SIZE: C | SCALE: 2.5:1 | SHEET 4 OF 4