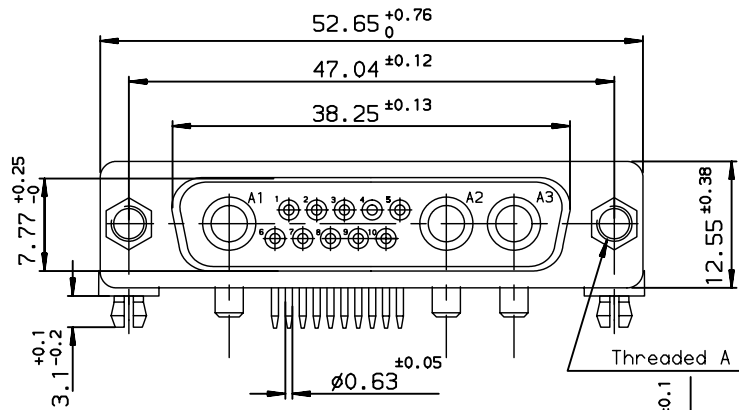
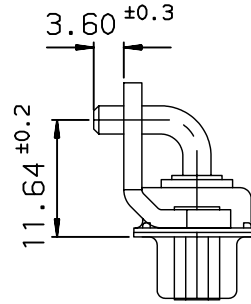


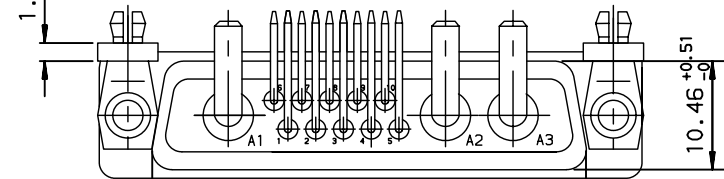
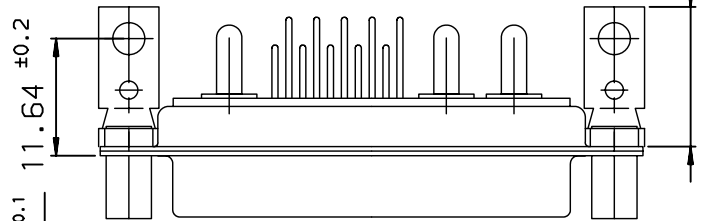
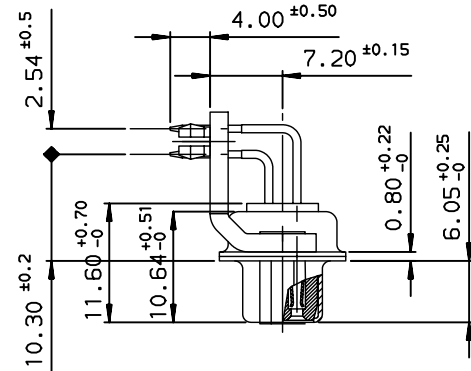
GENERAL CHARACTERISTICS : SEE DRAWING C01-8639-0000



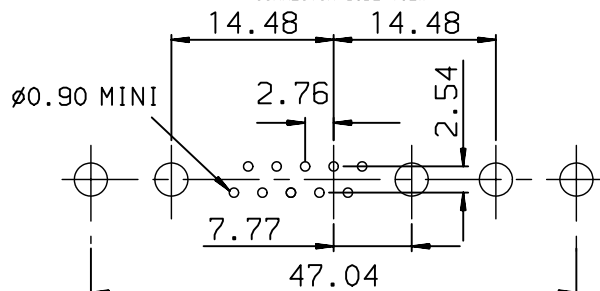
VIEW WITH POWERS CONTACTS



VIEW WITHOUT POWERS CONTACTS



LAYOUT DIMENSIONS (after plating)
CONNECTOR SIDE VIEW



DBV13W3S543G40	UNC 4.40
DBV13W3S500G40	UNC 4.40
DBI13W3S543G40	M3
DBI13W3S500G40	M3
PART NUMBER	Threaded A

European Views

www.fciconnect.com		surface ISO 1302 ✓	tolerance std ISO 406 ISO 1101	projection mm
TOLERANCES UNLESS OTHERWISE SPECIFIED				
Dr	JARRY	2003/10/30	0.X	±0.1
Eng	JARRY	2003/10/30	0.XX	±0.1
Chr	LEGARE	2003/10/30	0.XXX	±0.1
Appr	LEGARE	2003/10/30	size A3	
Product family			Scale 2	
SUB			ECN LS07-0250	
Spec ref -			Rev. D	
title SOCKET CRS RIGHT ANGLED WITH POWERS CONTACTS		dwg no C01-8639-0597	CUSTOMER sheet 1 of 1	
catalog no				

rev	ecn no	dr	date
C	-	CJA	2003/10/30
D	LS07-0250	MPE	2007/10/05
-	-	-	-
-	-	-	-
-	-	-	-
-	-	-	-



Copyright FCJ. FCJ