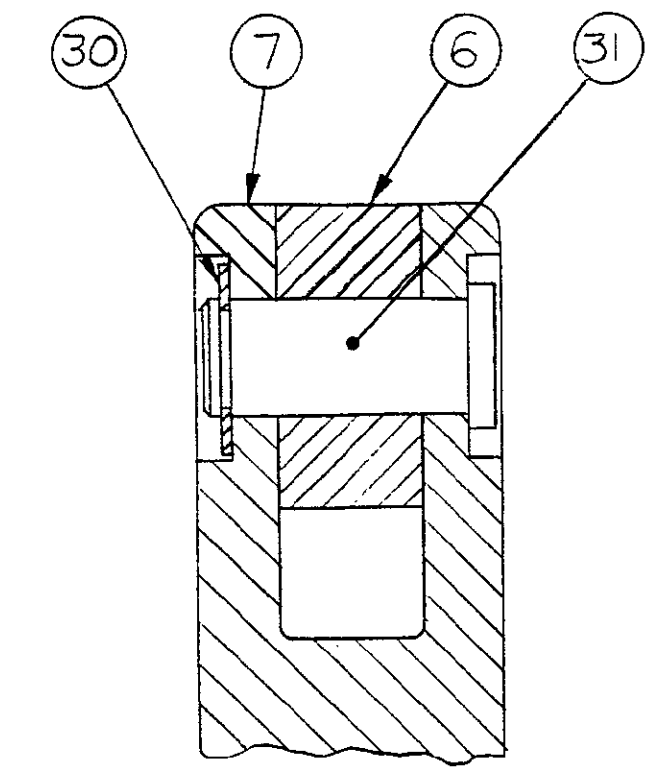
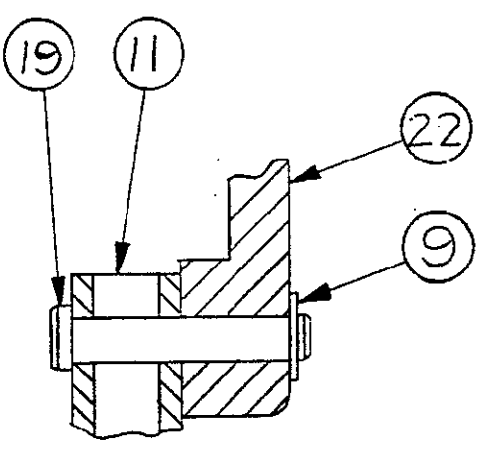


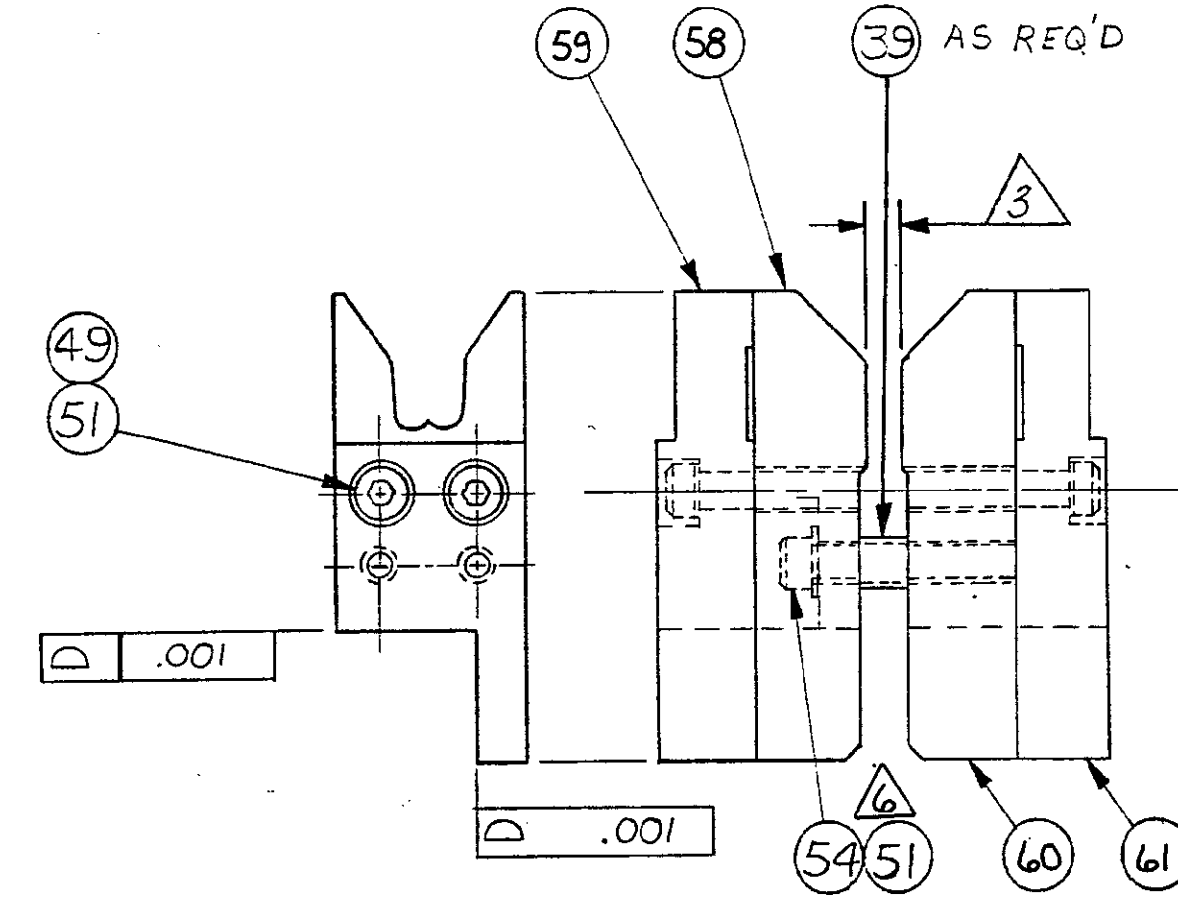
SECTION A-A



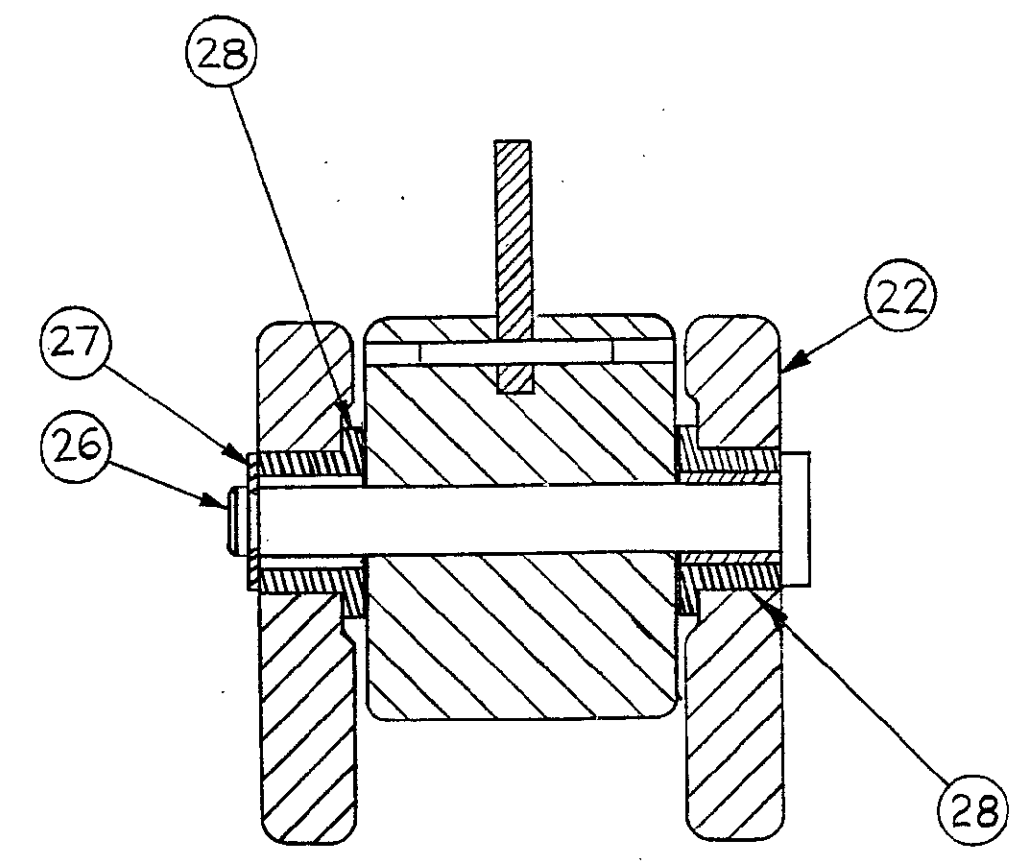
SECTION D-D



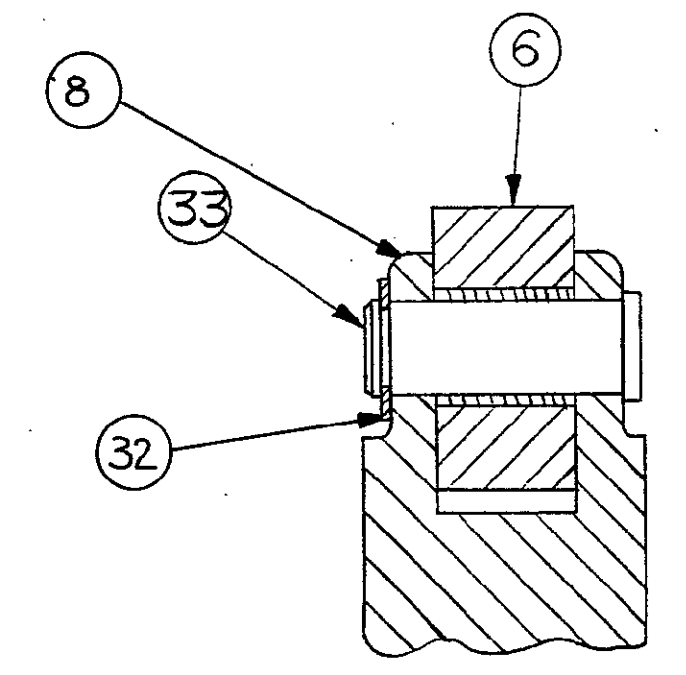
SECTION E-E



VIEW B-B FOR 3  
2:1



SECTION C-C



SECTION F-F

- 1 THICKNESS OF SHIM TO BE DETERMINED AT ASSEMBLY. SEE DRAWING 294059 FOR SHIM SIZE AND PART NUMBER. ONLY ONE SHIM TO BE USED PER SIDE.
- 2 WHEN APPLICATOR ONLY IS SHIPPED, IT MUST BE PACKED WITH CRIMP HEIGHT GAGE ASSEMBLY AND INSTRUCTION SHEET (SEE DRAWING NO. 248010, KIT ASSEMBLY AND 230057 CASE ASSEMBLY.)
- 3 USE .0960 DIAMETER GAGE PIN AS NO-GO TO CHECK PROPER CRIMPER SPACING.
- 4 VERNIER INDEX SHAFT TO WITHSTAND 125 INCH LBS. TORQUE WITHOUT TURNING.
- 5 SET CRIMP HEIGHT PER ENGINEERING SPECIFICATION IIS-6021.
- 6 APPLY LOCKTITE 79-31, TYPE EV, TO THREADS AT ASSEMBLY.

QTY	REV	ASSEMBLY	PART NO.	DESCRIPTION	ITEM NO.
-	-	B	230040-1	COLOR CODE LABEL (MINI)	64
-	-	B	230039-1	COLOR CODE LABEL (STD)	63
-	-	C	247336-2	HANDLE ASSY.	62
-	-	C	229045-4	CRIMPER - OUTSIDE RIGHT	61
-	-	D	229048-4	CRIMPER - INSIDE RIGHT	60
-	-	C	229046-4	CRIMPER - OUTSIDE LEFT	59
-	-	D	229047-4	CRIMPER - INSIDE LEFT	58
2	-	B	229809-1	SUPPORT WIRE	57
1	-	B	631399-7	IDENTIFICATION PLATE	56
1	-	C	247333-4	ANVIL	55
1	-	A	1-21000-2	SCREW, SOC. HD. CAP 2-56 x .50	54
4	4	A	2108-5	WASHER, FLAT # 6	53
1	1	A	23564-7	WASHER, SPRING LOCK 5/16 LIGHT	52
9	5	A	21057-1	WASHER, SPRING LOCK (NO. 2)	51
4	4	A	1-22249-2	SCREW, SOC. HD. CAP 2-56 x .50	50
4	-	A	1-21000-1	SCREW, SOC. HD. CAP 2-56 x .38	49
4	4	A	229051-1	SPACER, WIRE, SUPPORT	48
-	-	B	248706-2	SUPPORT WIRE, LEFT	47
-	-	B	248706-1	SUPPORT WIRE, RIGHT	46
-	-	-	-	-	45
-	-	-	-	-	44
-	-	D	231809-1	LEFT CRIMPER	43
-	-	D	231808-1	RIGHT CRIMPER	42
AR	AR	B	299059	SHIM, CRIMPER (AS REQ'D)	41
1	1	A	1-22572-9	SCREW, SOC. SET 6-32 x 1/2	40
1	1	A	249185	SPACER, CRIMPER (AS REQ'D)	39
1	1	A	23030-9	SCR. SOC. HD. SELF LOCK 8-32 x 3/8	38
1	1	A	229163-1	LOCK SCREW (SPEC. ID-32)	37
-	-	B	631399-6	IDENTIFICATION PLATE	36
1	1	B	247313-1	SHAFT, VERNIER INDEX	35
1	1	A	225164-1	WASHER, FLAT, SPECIAL	34
1	1	B	244248-4	PIN, RETAINING	33
1	1	A	21116-7	RING, EXT. RET.	32
1	1	B	244248-5	PIN, RETAINING	31
1	1	A	1-21117-0	RING, EXT. RET.	30
1	1	A	229264-1	PIN, ANVIL SLIDE	29
2	2	A	247305-1	ANVIL ROLLER	28
1	1	A	1-21112-3	RING, EXT. RET.	27
1	1	B	244248-6	PIN, RETAINING	26
2	2	A	21074-2	WASHER, SPRING LOCK # 4	25
1	1	A	229053-1	BRACKET, WIRE SUPPORT	24
1	1	A	22594-3	NUT, HEX 5/16-18	23
1	1	D	247331	BODY	22
1	1	A	2-23841-7	SCREW, SOC. SET OVAL PT 5/16-18 x 100	21
2	2	B	249856-1	HOLDBACK, WIRE	20
1	1	B	1-244248-0	PIN, RETAINING	19
4	4	A	21989-1	SCREW, SHLD 4-40 x 1/8	18
1	1	A	3-21118-8	PIN, SLOT TED SPRING (3/32 x 5/8)	17
1	1	B	631399-1	PLATE, IDENTIFICATION	16
2	2	A	3-23513-2	SCREW, BUT. HD. CAP 4-40 x 1/8 LG	15
1	1	A	1-22846-8	PIN, CUTTER	14
1	1	A	247907-1	PIN, HANDLE PIVOT	13
1	1	A	2108-B	WASHER, FLAT 1/4	12
1	1	B	245543-1	RATCHET HOUSING ASSY.	11
1	1	B	631465-1	CUTTER, WIRE	10
1	1	A	22173-1	RING, EXT. RET.	9
-	-	C	247336-1	HANDLE ASSY.	8
1	1	B	247308-1	LEVER	7
1	1	B	247327-1	LINK - MACHINED	6
4	4	A	1-21000-9	SCREW, SOC. HD. CAP (6-32 x .38)	5
4	4	A	21057-3	WASHER, SPRING LOCK # 6	4
1	1	C	250002-1	SPRING, TORSION	3
-	-	C	247333-1	ANVIL	2
-	-	-	-	-	1

QTY REQD PER ASSY	PARTS LIST
DR	APPROVED
CHK	REL
DATE	DATE
SCALE	DWG NO
1/1	247329
APPLICATOR ASSEMBLY (MA-6B & MA-6M)	
SHEET	REV
10F1	BC

PART NO.	ASSEMBLY	DESCRIPTION
247329-3	MA-6M	APPLICATOR
247329-1	MA-6B	APPLICATOR

REV	DATE	DESCRIPTION
1	11/10/85	REVISED FOR MA-6M
2	11/10/85	REVISED FOR MA-6B
3	11/10/85	REVISED FOR MA-6M
4	11/10/85	REVISED FOR MA-6B

THIS INFORMATION IS CONFIDENTIAL AND IS DISCLOSED TO YOU ON THE CONDITION THAT YOU WILL NOT DISCLOSE IT TO ANY OTHER PERSON WITHOUT THE WRITTEN AUTHORIZATION OF AMP INCORPORATED, HARRISBURG, PA.

LOC A  
DIST 40