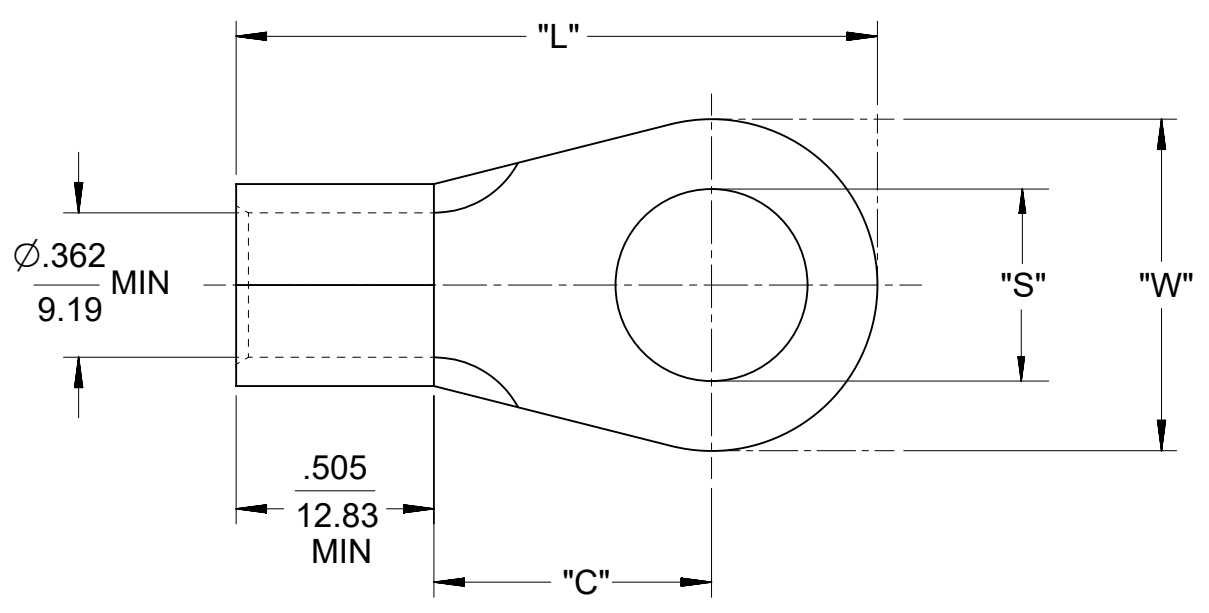
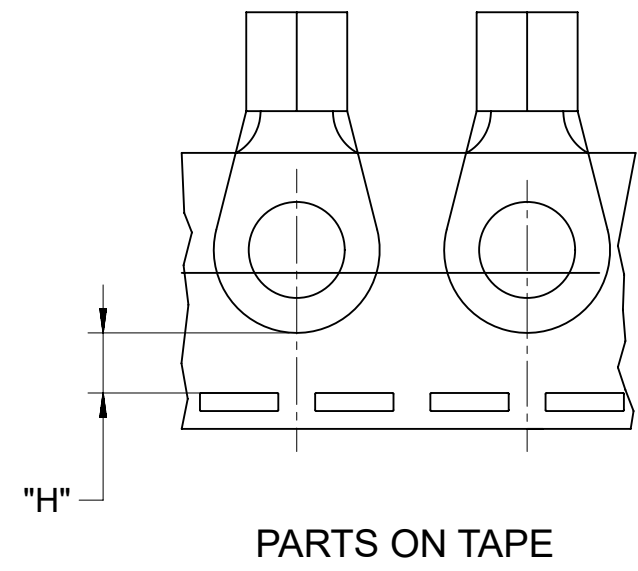


10	9	8	7	6	5	4	3	2	1
MATERIAL NO. LOOSE PIECE	ENGINEERING P/N LOOSE	MATERIAL NO. TAPE MOUNTED	ENGINEERING P/N TAPED	STUD SIZE	"S" ±.005/0.13	"W" MAX.	"C" MIN.	"L" MAX.	"H" ±.02 / 0.5
191930303	G-375-10	-	G-375-10T	10	.198/5.03	.645/16.38	.703/17.86	1.583/40.21	.43/10.9
191930305	G-375-14	-	G-375-14T	1/4"	.265/6.73	.645/16.38	.703/17.86	1.583/40.21	.43/10.9
191930309	G-375-56	-	G-375-56T	5/16"	.328/8.33	.645/16.38	.703/17.86	1.583/40.21	.43/10.9
191930307	G-375-38	-	G-375-38T	3/8"	.390/9.91	.645/16.38	.703/17.86	1.583/40.21	.43/10.9
191930297	G-374-14	-	-	1/4"	.265/6.73	.879/22.33	.703/17.86	1.700/43.18	-
191930299	G-374-56	-	-	5/16"	.328/8.33	.879/22.33	.703/17.86	1.700/43.18	-
191930298	G-374-38	-	-	3/8"	.390/9.91	.879/22.33	.703/17.86	1.700/43.18	-
191930302	G-374-76	-	G-374-76T	7/16"	.453/11.51	.879/22.33	.703/17.86	1.700/43.18	.31/7.9
191930296	G-374-12	-	G-374-12T	1/2"	.515/13.08	.879/22.33	.703/17.86	1.700/43.18	.31/7.9
191930301	G-374-58	-	G-374-58T	5/8"	.656/16.66	.879/22.33	.703/17.86	1.700/43.18	.31/7.9
191930313	G-376-14	-	-	1/4"	.265/6.73	.895/22.73	.990/25.15	1.995/50.67	-
191930315	G-376-56	-	-	5/16"	.328/8.33	.895/22.73	.990/25.15	1.995/50.67	-
191930314	G-376-38	-	-	3/8"	.390/9.91	.895/22.73	.990/25.15	1.995/50.67	-
191930312	G-376-12	-	-	1/2"	.515/13.08	.895/22.73	.990/25.15	1.995/50.67	-
191930319	G-377-14	-	-	1/4"	.265/6.73	1.270/32.26	.990/25.15	2.183/55.45	-
191930322	G-377-56	-	-	5/16"	.328/8.33	1.270/32.26	.990/25.15	2.183/55.45	-
191930321	G-377-38	-	-	3/8"	.390/9.91	1.270/32.26	.990/25.15	2.183/55.45	-
191930324	G-377-76	-	-	7/16"	.453/11.51	1.270/32.26	.990/25.15	2.183/55.45	-
191930318	G-377-12	-	-	1/2"	.515/13.08	1.270/32.26	.990/25.15	2.183/55.45	-
191930611	G-377-58	-	-	5/8"	.656/16.66	1.270/32.26	.990/25.15	2.183/55.45	-
191930320	G-377-34	-	-	3/4"	.781/19.84	1.270/32.26	.990/25.15	2.183/55.45	-



- NOTES:
1. MATERIAL: MATTE-TIN PLATED COPPER
 2. WIRE SIZE: 2 AWG/ 26.6-42.4 mm²
 3. PARTS ARE ROHS COMPLIANT.

PRE-RELEASE
REFERENCE
USE ONLY

SALES DRAWING

REDRAWN FROM SD-19193-007, -028, -029, -030
DRAWN BY DLM 07/2003

THIS DRAWING CONTAINS INFORMATION THAT IS PROPRIETARY TO MOLEX ELECTRONIC TECHNOLOGIES, LLC AND SHOULD NOT BE USED WITHOUT WRITTEN PERMISSION											
DIMENSION UNITS INCH/MM		SCALE NTS		CURRENT REV DESC: REMOVED OBSOLETE PART NUMBER AS PER PCN#511684.						molex	
GENERAL TOLERANCES (UNLESS SPECIFIED)				EC NO: 748897		2023/05/09		RING TONGUE TERMINAL VERSAKRIMP, 2 AWG			
4 PLACES ±		±		DRWN: SANTHN		2023/05/31		PRODUCT CUSTOMER DRAWING			
3 PLACES ±		± 0.005		CHK'D: GGA		2023/05/31		DOCUMENT NUMBER			
2 PLACES ±		± 0.13		APPR: GGA		2023/05/31		SD-19193-038			
1 PLACE ±		± 0.25		INITIAL REVISION:		2011/05/05		DOC TYPE			
0 PLACES ±		±		DRWN: ETHRODAHL		2011/06/03		DOC PART			
ANGULAR TOL ± °		± °		APPR: JMACNEIL		2011/06/03		REVISION			
DRAFT WHERE APPLICABLE MUST REMAIN WITHIN DIMENSIONS				THIRD ANGLE PROJECTION		DRAWING		SERIES		SHEET NUMBER	
				B-SIZE		19193		MATERIAL NUMBER		CUSTOMER	
								SEE TABLE		GENERAL MARKET	
										1 OF 1	