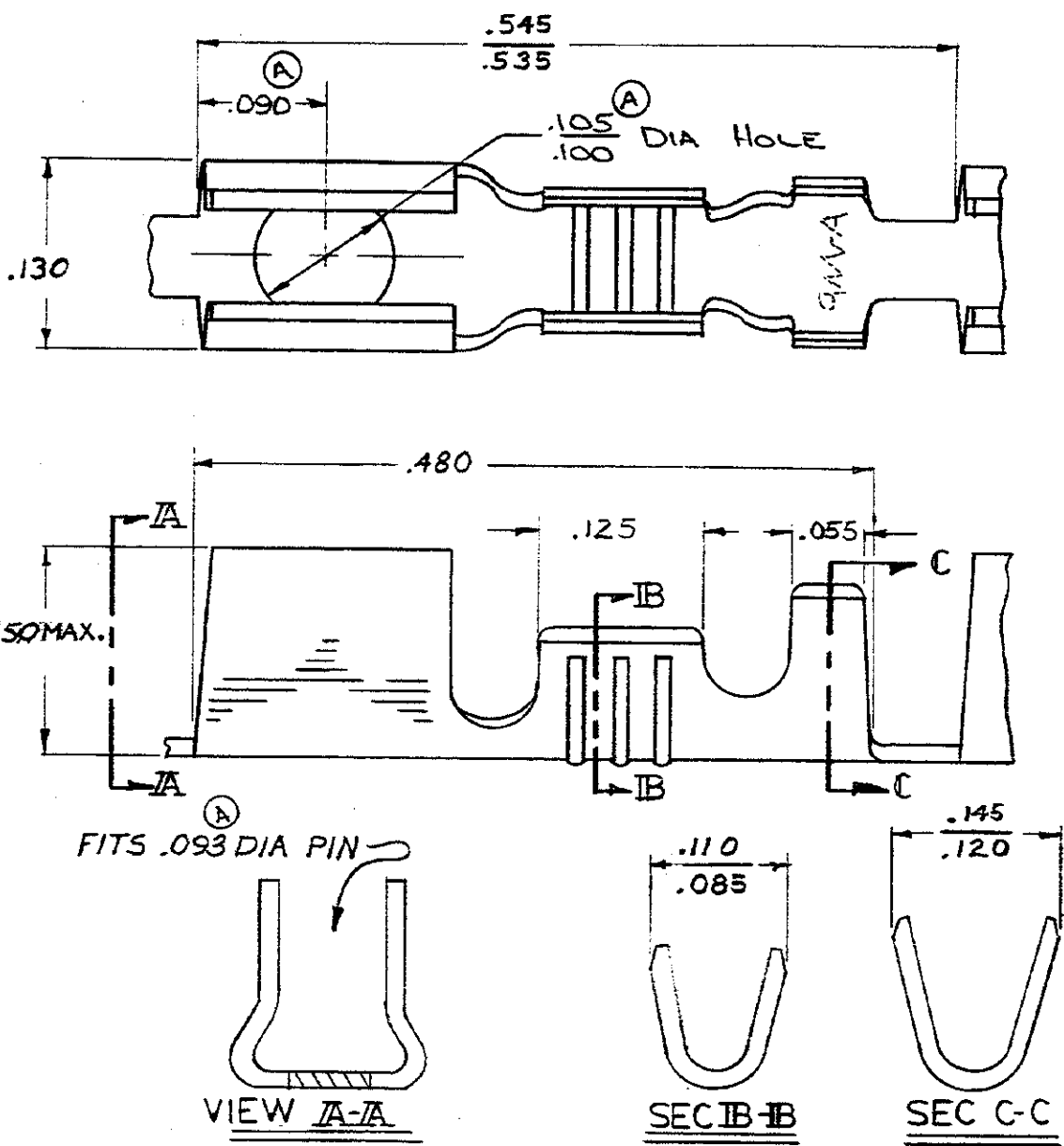


NUMBER
60884






CR-50226

DIMENSIONS IN INCHES. DO NOT SCALE PRINT.

PART NUMBER	MATERIAL - FINISH
60884-1	.012 BRASS - NONE
60884-2	.012 PH BRONZE - PRE-TIN
60884-3	.012 BRASS - TIN

OBSOLETE

©1965 BY AMP INCORPORATED. ALL RIGHTS RESERVED. AMP PRODUCTS COVERED BY PATENTS AND/OR PATENTS PENDING.		CUSTOMER COPY REFERENCE ONLY	
MATERIAL AND FINISH		 TE Connectivity	
<div style="border: 1px solid black; width: 100%; height: 100%; display: flex; align-items: center; justify-content: center;"> X </div>		CLASS	
WIRE - RANGE - INSULATION		TYPE	
22-18 1.100 MAX			
TOLERANCE EXCEPT AS NOTED	SCALE	LOC	NO
± .005	± 1" = 1"	AF	A
NAME		REV	
H. J. DELL 6-1465		H2	
PIN RECEPTACLE			

PRINTED IN U.S.A.
50

H2	REVISION RECORD	DR	CHK	DATE
H2	REVISED PER ECR-21-119150	MK	EW	12NOV 2021
H1	REVISED PER ECR-21-101841	SS	EW	14APR 2021