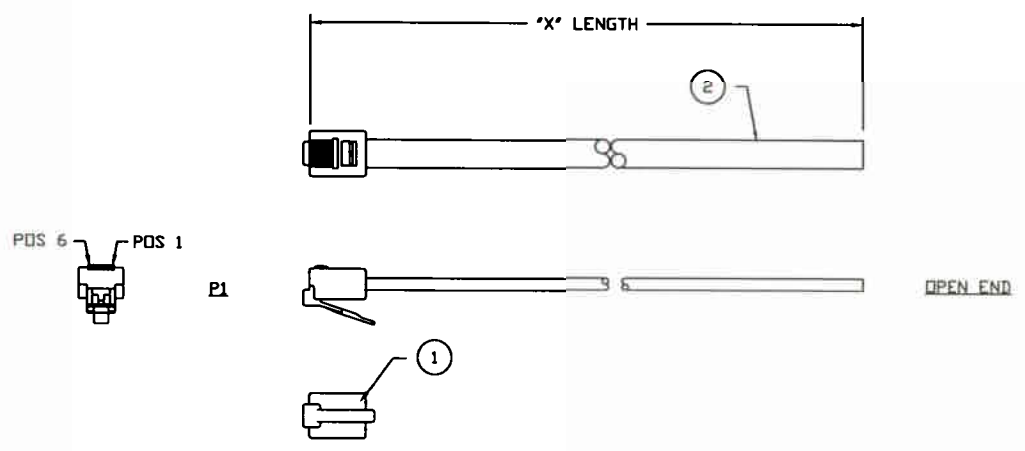


THESE DRAWINGS AND SPECIFICATIONS ARE THE SOLE PROPERTY OF I/O INTERCONNECT INC. AND SHALL NOT BE REPRODUCED, COPIED, OR USED IN ANY MANNER WITHOUT THE PRIOR WRITTEN CONSENT OF I/O INTERCONNECT INC. OR ITS AFFILIATED SUBSIDIARIES.

| DWG. NO.  | ZONE | REV. | DESCRIPTION  | DATE     | APPROVED |
|-----------|------|------|--|----------|----------|
| XX6-522-D |      | C    | ECN C285   | 08/07/01 | K.C.     |
|           |      | D    | ADD NOTE & CHANGE P/N TO ROHS COMPLIANT PER ECN D630 | 04/21/05 | M.G.     |

**WIRE DIAGRAM**

| P1 | OPEN END |
|----|----------|
| 1  | WHITE    |
| 2  | BLACK    |
| 3  | RED      |
| 4  | GREEN    |
| 5  | YELLOW   |
| 6  | BLUE     |



**NOTES: UNLESS OTHERWISE SPECIFIED.**

- CABLE TO BE BUNDLED AND TWIST TIED.
- TEST CABLE FOR ALL OPENS & SHORTS.
- PACKAGE CABLE ASSEMBLY INDIVIDUALLY IN PLASTIC BAG. PACKAGE INDIVIDUAL BAG PER LOT NUMBER QUANTITIES.
- MARK OUTSIDE OF SHIPPING BOX WITH CUSTOMER PART NUMBER.
- PLACE BAR CODE LABEL ON THE OUTSIDE OF EACH SHIPPING BOX LABEL DETAIL SEE DWG 090-990-001.
- ALL METRICAL SHOULD BE ROHS COMPLIANT.

| ITEM | QTY  | MFG. | IOI PART NO.    | DESCRIPTION   |
|------|------|------|-----------------|---|
| 2    | "X"  | IOI  | GLF-120-610-020 | MODULAR CABLE, 26 AWG (7/34) BARE COPPER, 6 CONDUCTOR, UNSHIELDED, WHITE PVC. ROHS COMPLIANT. |
| 1    | 1 PC | IOI  | GLF-325-661-50X | CONNECTOR, MODULAR PLUG, 6 POSITION, 6 CONDUCTOR, 50u" AW, FLAT TYPE EXIT. ROHS COMPLIANT.    |

**CABLE ASSEMBLY PARTS LIST**

|                         |                                 |                                       |
|-------------------------|---------------------------------|---------------------------------------|
| T.B.D.                  | GLF-466-256-522-D               | 25.0 FT ± 4.0 IN<br>7.62 M ± 101.6 MM |
| T.B.D.                  | GLF-466-146-522-D               | 14.0 FT ± 3.0 IN<br>4.27 M ± 76.2 MM  |
| H3661-07-ND             | GLF-466-076-522-D               | 7.0 FT ± 2.0 IN<br>2.13 M ± 50.8 MM   |
| PART NUMBER<br>DIGI-KEY | PART NUMBER<br>I/O INTERCONNECT | LENGTH "X"                            |

THIRD ANGLE PROJECTION

**I/O INTERCONNECT**  
SANTA ANA, CALIFORNIA

DR BY: JOHN BAU  
DR CHECKED: M. WELLS

UNLESS OTHERWISE NOTED:  
1) DIMENSIONS ARE IN INCHES (MILLIMETER)  
2) TOLERANCES:  
X.XX ± 0.25 (6.35)

TITLE: 6P6C MODULAR TO OPEN END, WHITE, CABLE ASSEMBLY  
P/N: H3661-XX-ND

PART NO: GLF-466-XX6-522-D  
DWG NO: GLF-466-XX6-522-D

CUSTOMER: DIGI-KEY  
REV. D

SCALE: NONE  
SHEET 1 OF 1