

NOTES:

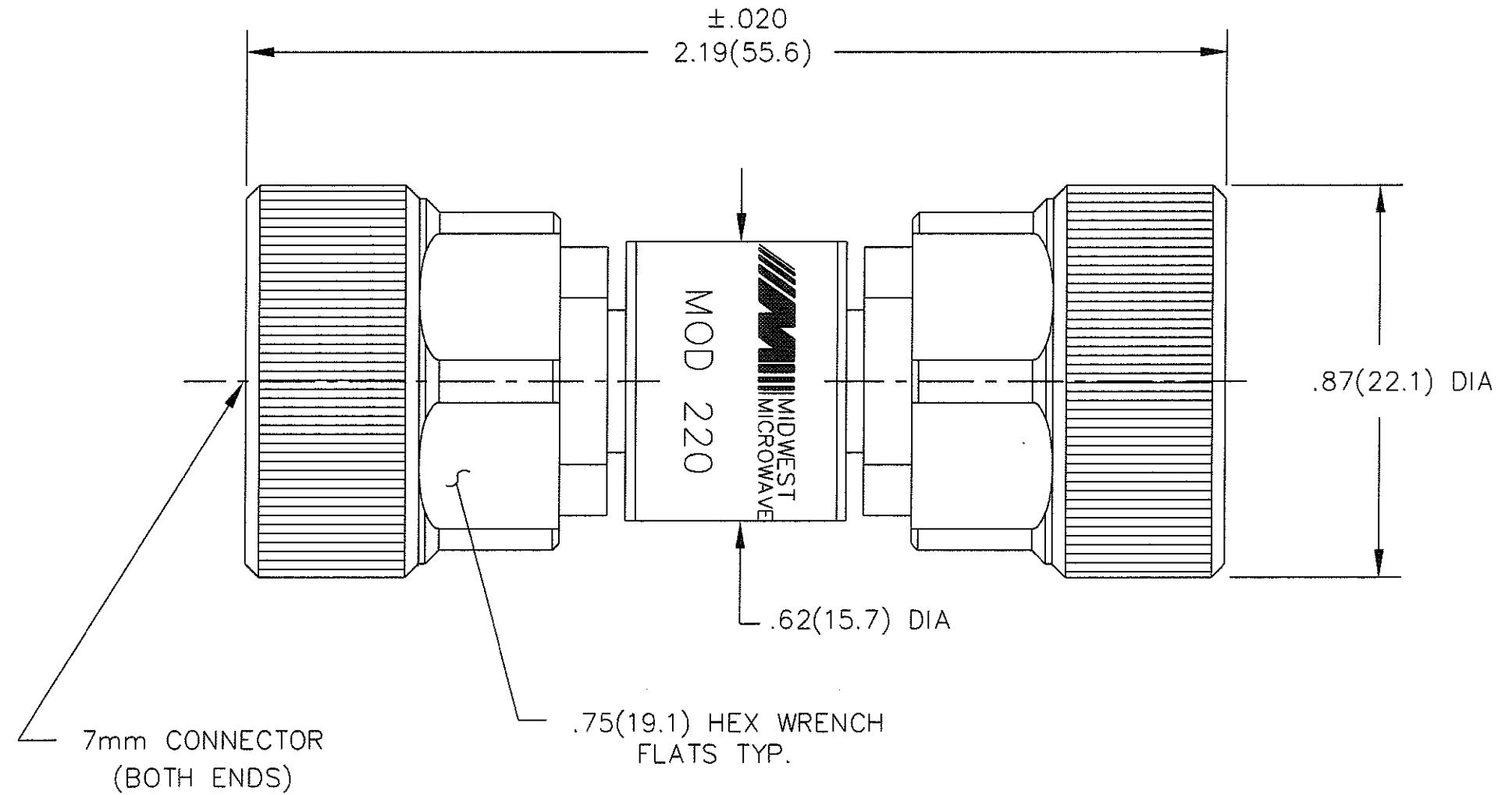
1.0 ELECTRICAL SPECIFICATIONS:

- 1.1 FREQUENCY RANGE: DC to 18GHz
- 1.2 ATTENUATION VALUES: 3, 6, 10 & 20dB.
- 1.3 ATTENUATION ACCURACY:
 - 1.3.1 3 & 6dB: ± 0.3 dB
 - 1.3.2 10 & 20dB: ± 0.5 dB
- 1.4 VSWR: 1.07 +0.015f (GHz)
- 1.5 MAXIMUM INPUT POWER: 2 WATTS AVG.
- 1.6 PEAK POWER: 200 WATTS.
- 1.7 IMPEDANCE: 50 OHMS
- 1.8 CALIBRATION DATA SUPPLIED AT:
 - 4.0, 8.0, 12.4, & 18.0 GHz

2.0 ATTENUATOR SET TO INCLUDE:

MIDWEST MODEL NO.	dB VALUE	QTY.
ATT-0220-03-7MM-02	3	1
ATT-0220-06-7MM-02	6	1
ATT-0220-10-7MM-02	10	1
ATT-0220-20-7MM-02	20	1

3.0 DIMENSIONS IN PARENTHESIS ARE IN MILLIMETERS.



MODEL NUMBER
ATS-3552-18-7MM-02
REV.
-1

REV.	DESCRIPTION	DATE
-	RELEASED	10/8/93
-1	ADDED TITLEBLOCK	3/18/05

UNLESS OTHERWISE NOTED DIMENSIONS ARE IN INCHES AND TOLERANCES ARE: 3 PLACE DECIMALS ± 0.005 2 PLACE DECIMALS ± 0.02 FRACTIONS $\pm 1/64$ PARALLELITY: T.I.R. _____ FLATNESS: T.I.R. _____ CONCENTRICITY: T.I.R. _____ ANGLES AND PERPENDICULARITY: $\pm 1^\circ$	FSCM NO. 34078	MIDWEST MICROWAVE
	NOTICE: The information contained in this drawing is proprietary and must not be used without the permission of Midwest Microwave	
	TITLE ATTENUATOR SET	
	DRAWN/DATE M.HOLLMAN 10/5/93	ENG./DATE G.KOZAK 10/7/93
CHECKED/DATE A.BEATTY 10/5/93	APPROVED/DATE	SCALE: 5=1 SHEET 1 of 1