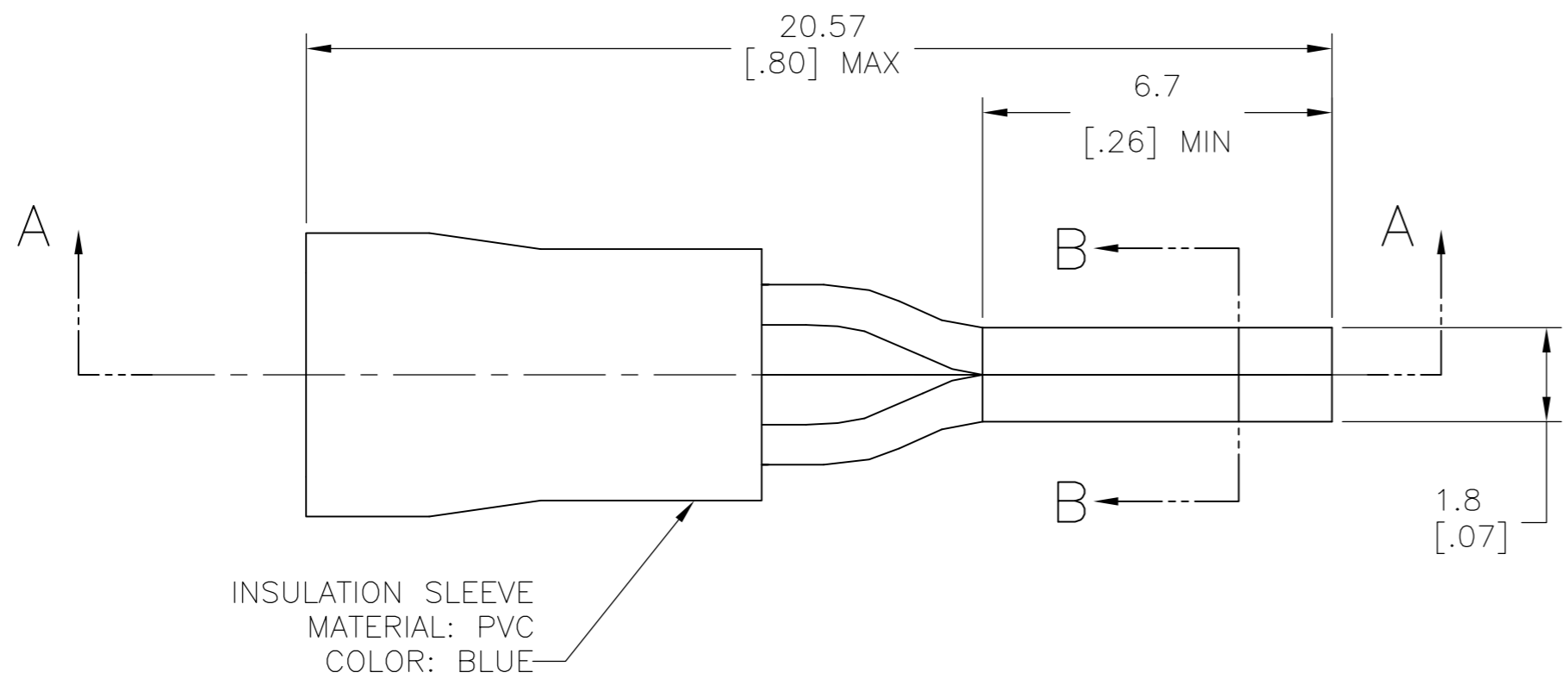
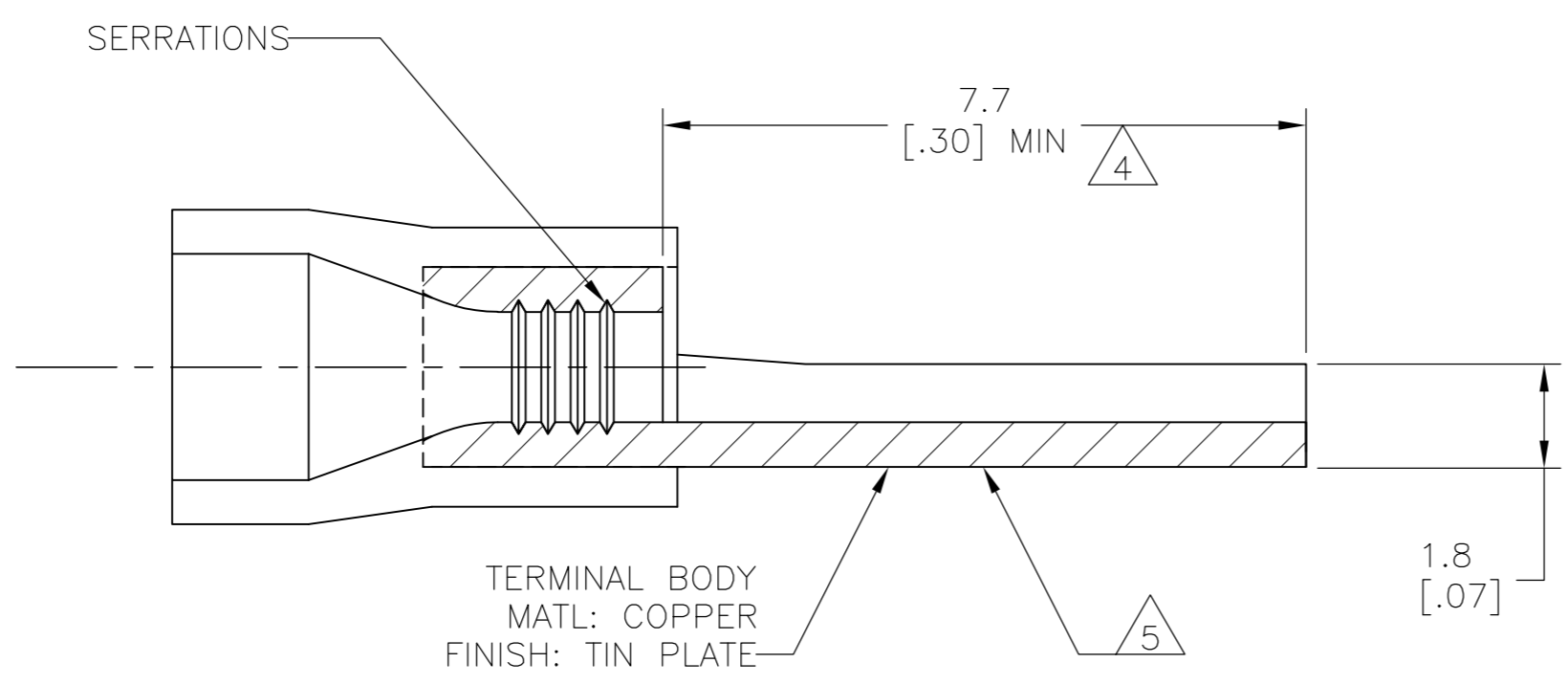


THIS DRAWING IS UNPUBLISHED. RELEASED FOR PUBLICATION
 © COPYRIGHT - By - ALL RIGHTS RESERVED.

LOC	DIST	REVISIONS					
		P	LTR	DESCRIPTION	DATE	DWN	APVD
G	14	C1		REVISED PER ECO-14-003208	14MAR2014	NK	DR



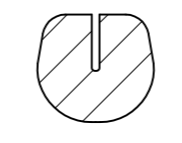
INSULATION SLEEVE
 MATERIAL: PVC
 COLOR: BLUE



SERRATIONS

TERMINAL BODY
 MATL: COPPER
 FINISH: TIN PLATE

SECTION A-A



SECTION B-B

- 1 WIRE SIZE IS #16-#14 AWG
- 2 INSULATION DIA: 3.0-4.9[.12-.19]
- 3 MATERIAL THICKNESS IS 0.8[.03]
- 4 DIMENSION APPLIES FROM EDGE OF METAL WIRE BARREL TO END OF PIN
- 5 STAMP AMP 16-14* APPROX AS SHOWN
- 6 MAX RECOMMENDED OPERATING TEMPERATURE 105°C[221°F]

LOOSE PIECE	STANDARD	1000	181631
PACKAGING	LABELLING	QTY	PART NO

THIS DRAWING IS A CONTROLLED DOCUMENT.		DWN jr ruth 02FEB06		
DIMENSIONS: mm [INCHES]		CHK T MICHELUTTI 02FEB06		
TOLERANCES UNLESS OTHERWISE SPECIFIED:		APVD T MICHELUTTI 02FEB06	NAME	
0 PLC ± -		PRODUCT SPEC		
1 PLC ± 0.5[.02]		APPLICATION SPEC		
2 PLC ± -		SIZE		
3 PLC ± -		CAGE CODE		
4 PLC ± -		DRAWING NO		
ANGLES ± 1°		RESTRICTED TO		
MATERIAL		WEIGHT		
FINISH		SCALE		
		SHEET		
		REV		