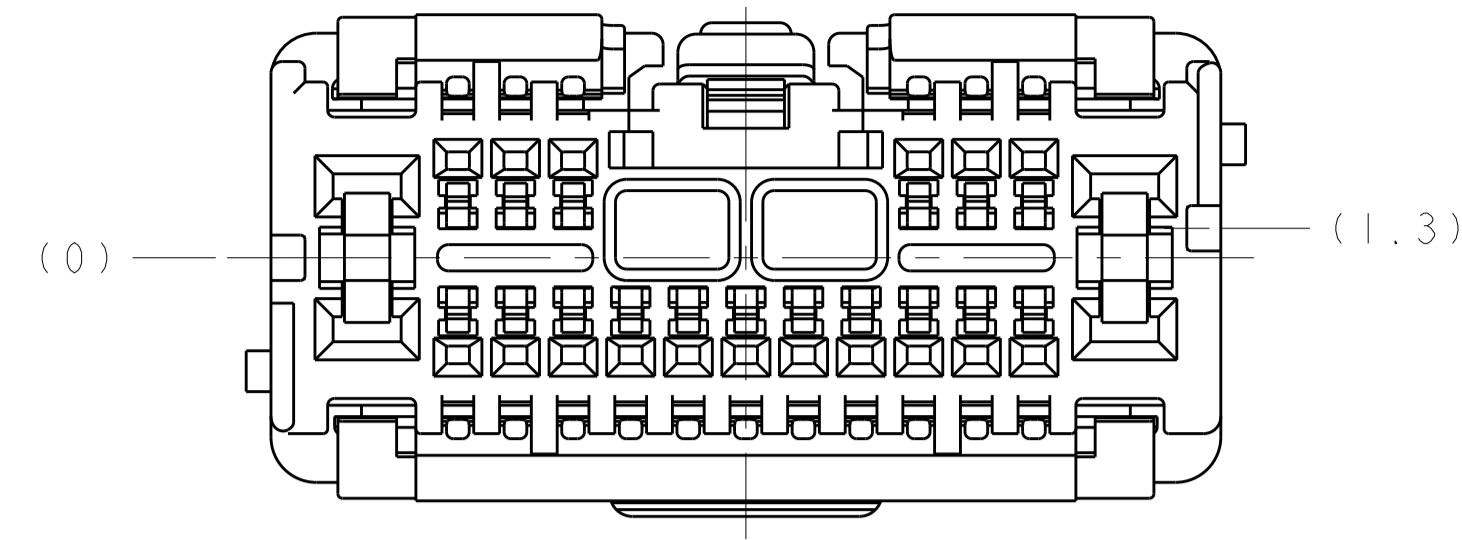
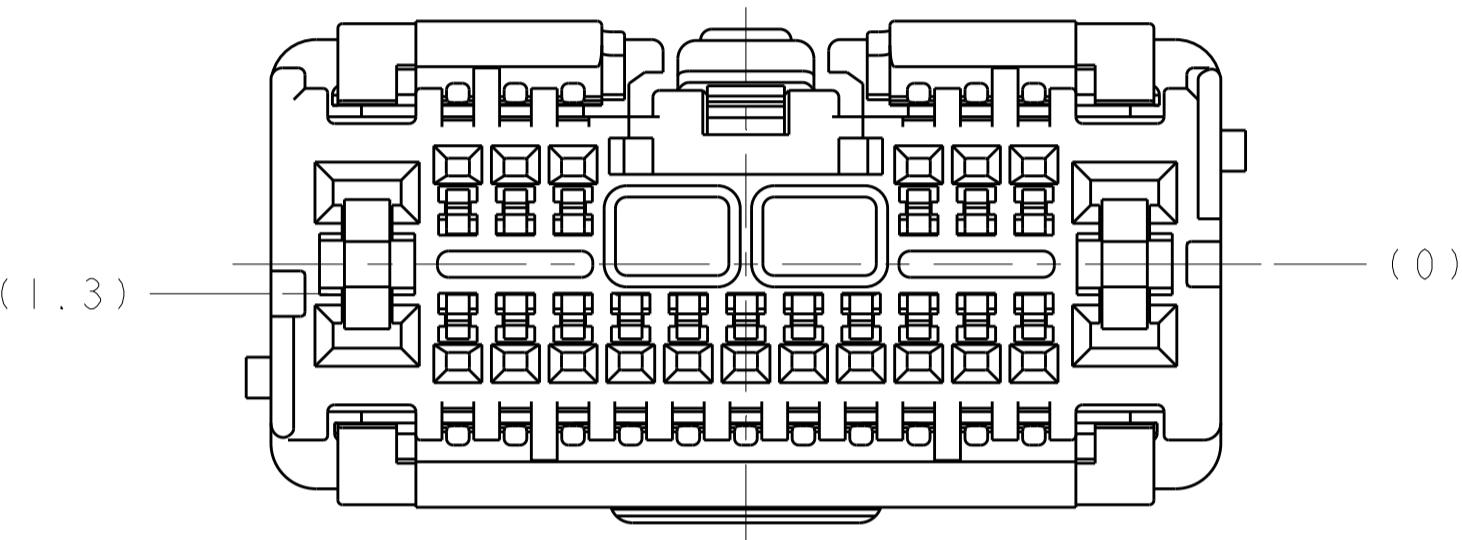


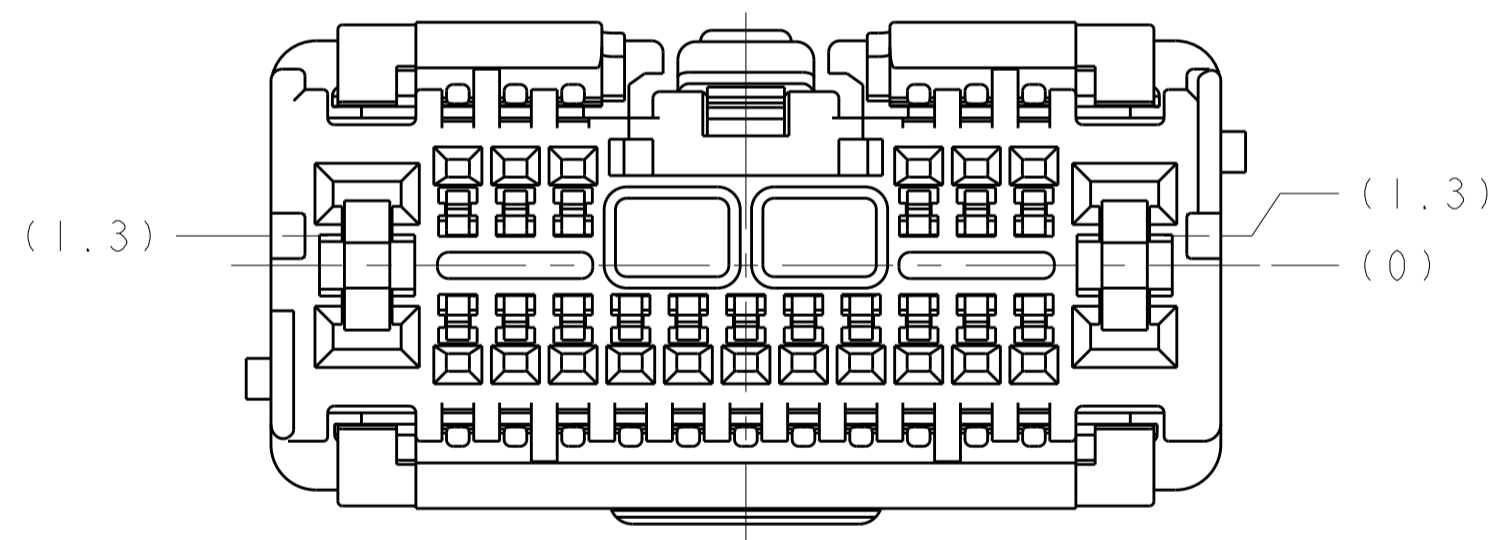
LOC		DIST		REVISIONS			
P	LTN	DESCRIPTION	DATE	DMN	APVD		
A		REVISED PER ECO-09-006169	11MAR2009	AJV	AJV		
B		REVISED PER ECO-13-005462	02APR2013	DD	CS		
C		REVISED PER ECO-17-017407	05DEC2017	JMS	CS		



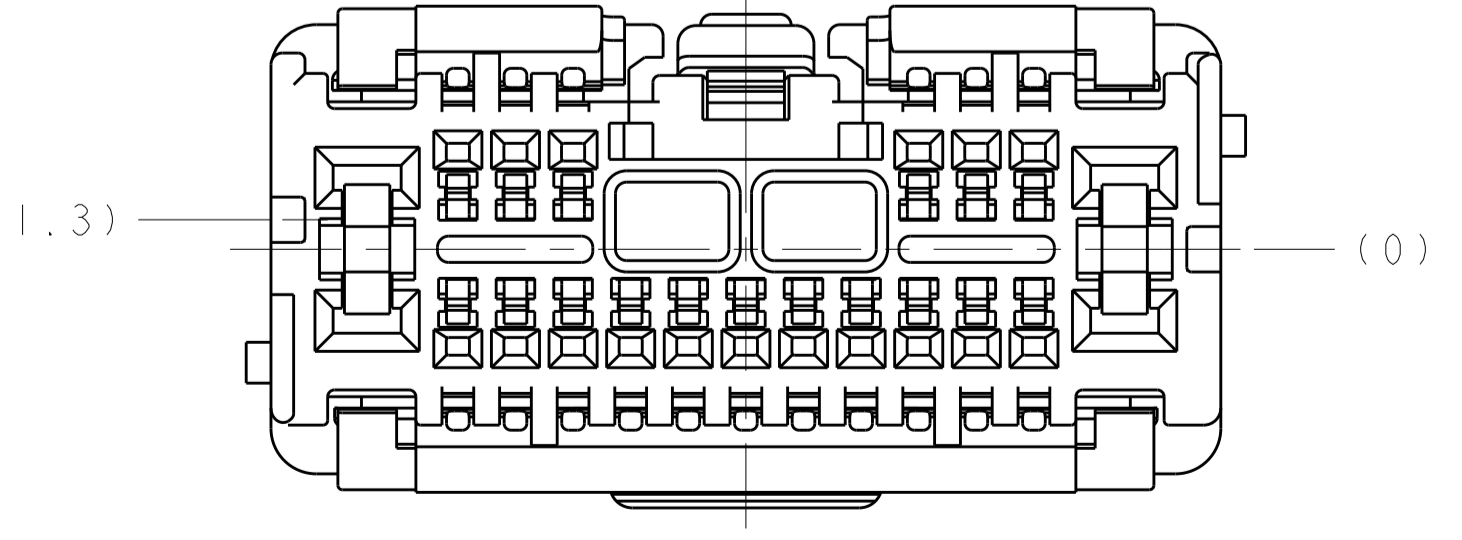
1924126-1
KEYING OPTION "A"



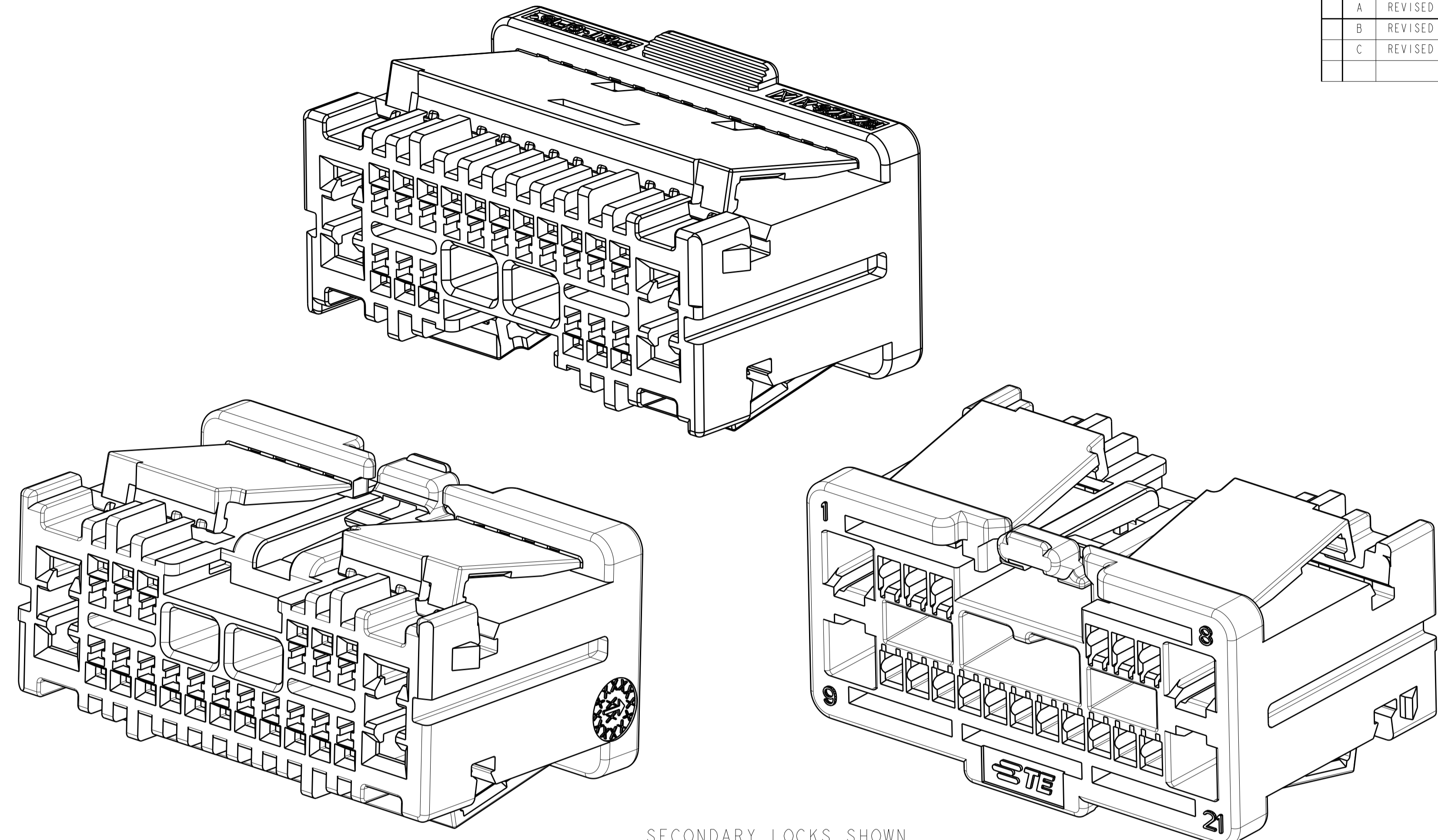
1924126-2
KEYING OPTION "B"



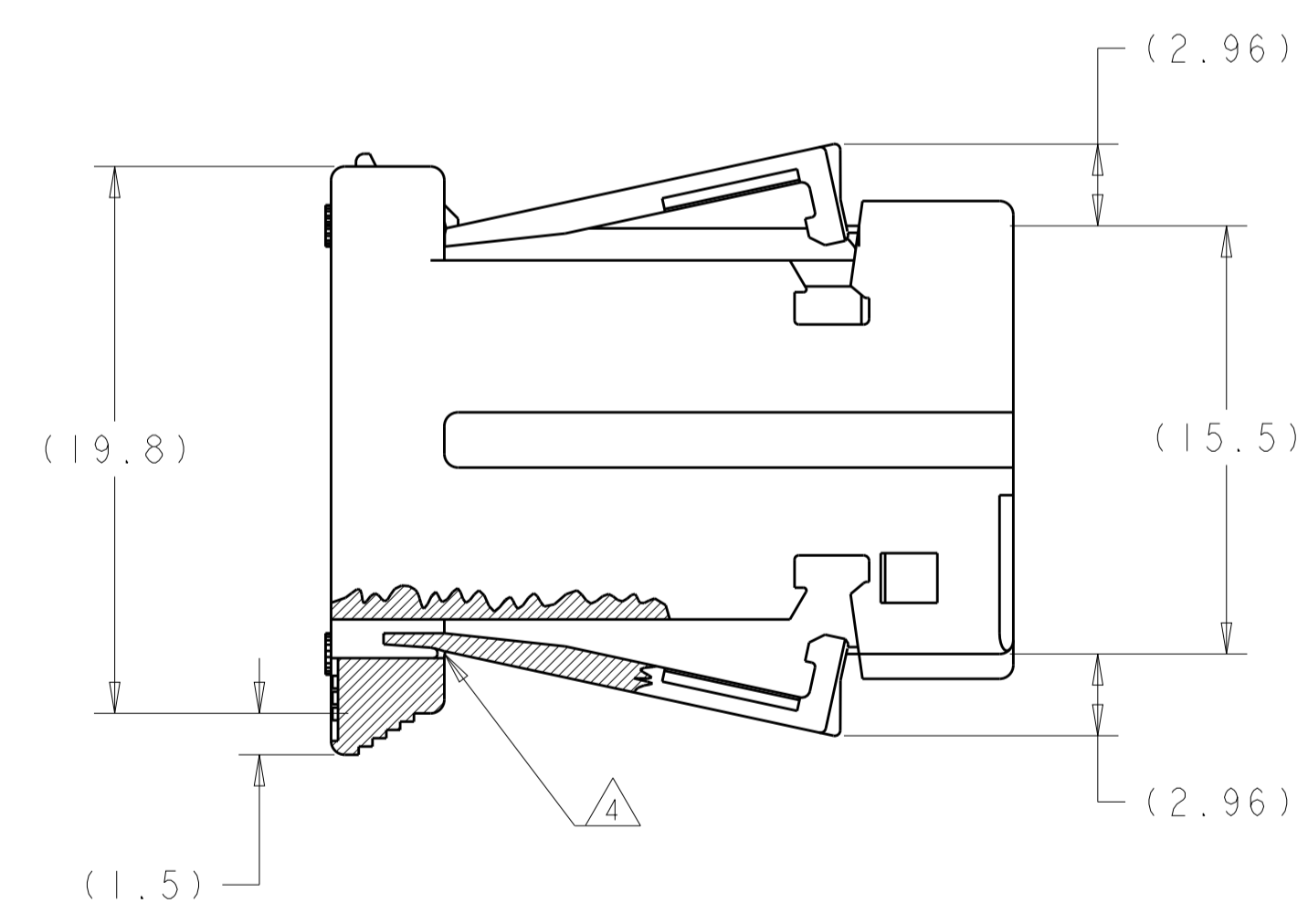
1924126-3
KEYING OPTION "C"



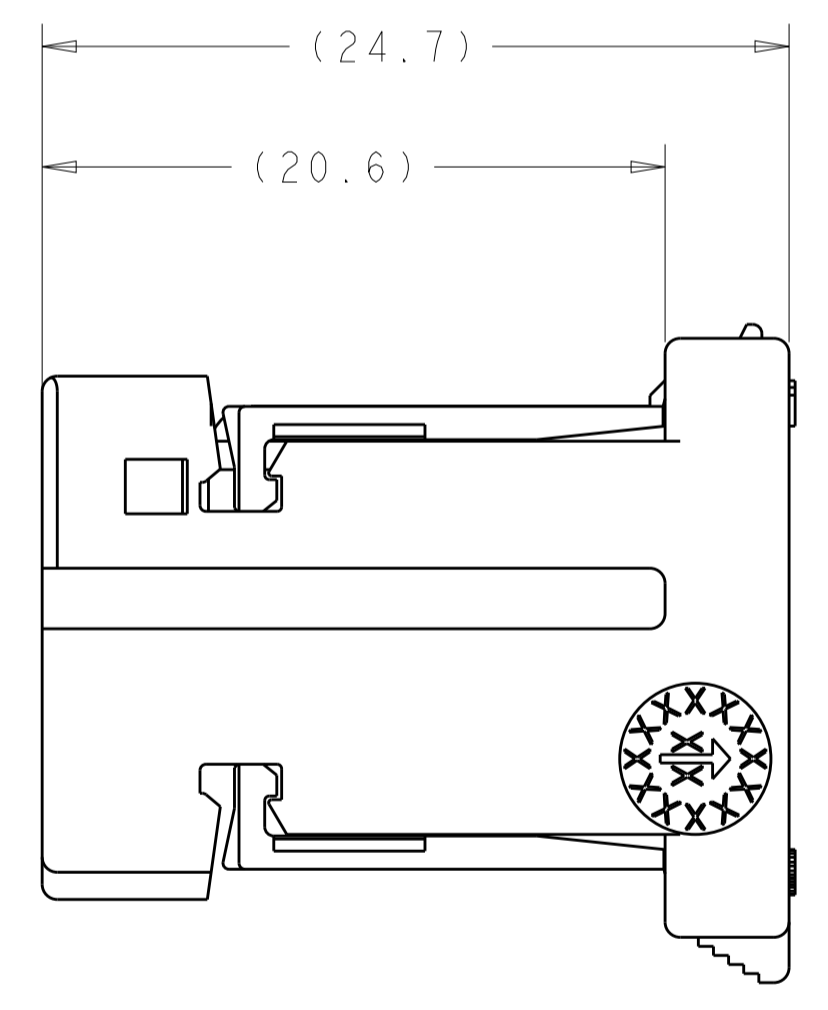
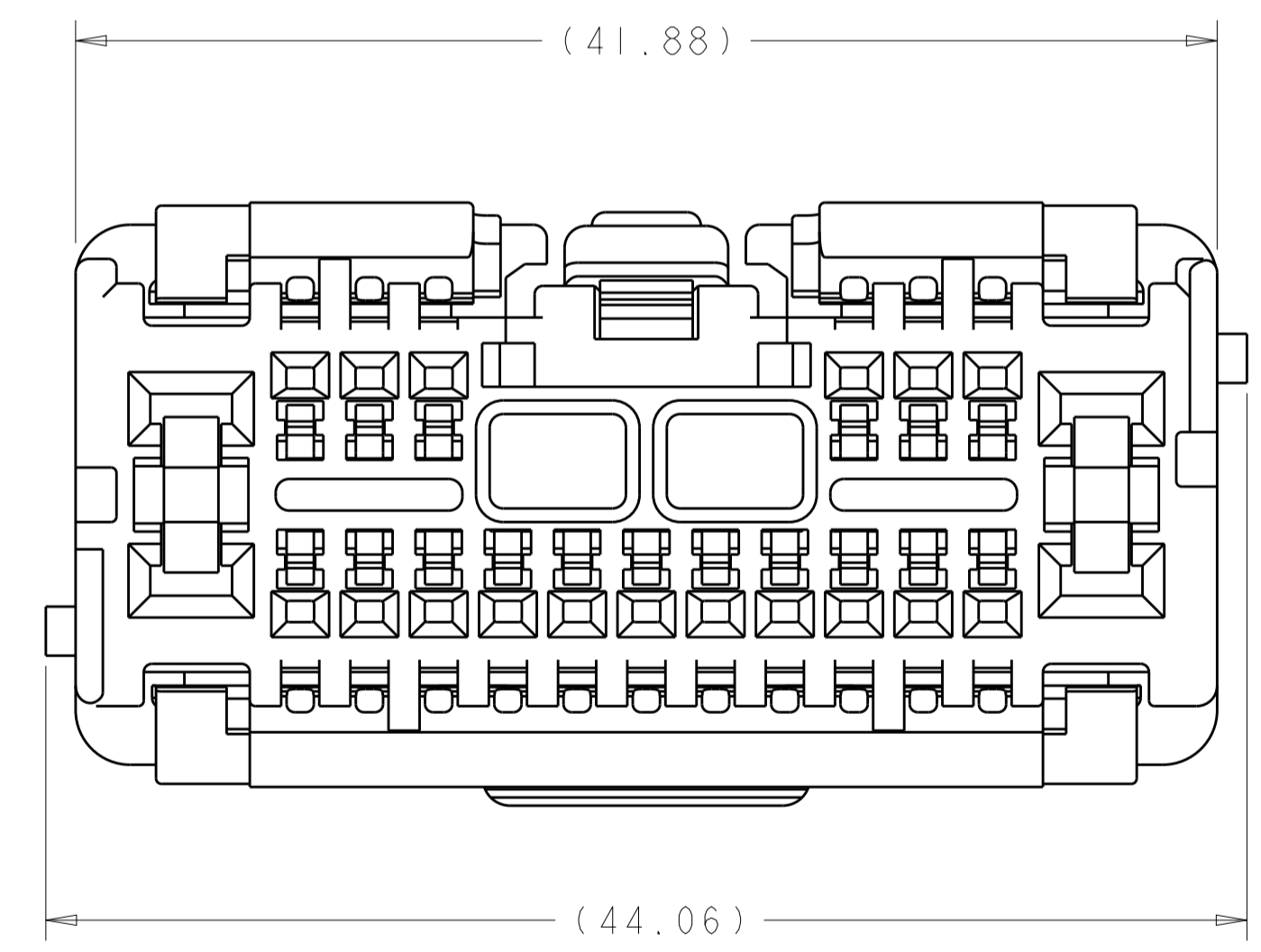
1924126-4
KEYING OPTION "D"



SECONDARY LOCKS SHOWN
IN OPEN POSITION
(SHIPPING POSITION)



SECTION E-E



SIDE VIEW WITH
SECONDARY LOCK CLOSED

NOTES:

- MATERIAL:
PLUG HOUSING: PBT 15% GLASS FILLED
COLOR: BLACK
 - OPTIONAL CPA AVAILABLE.
 - MATING RECEPTACLES:
1326030 TIN PLATING, 2.8 CONTACT
1924955 TIN PLATING, 0.64 CONTACT
- ⚠️ WHEN SECONDARY LOCK IS TRANSITIONED FROM THE OPEN TO THE CLOSED POSITION THE PLASTIC ATTACHING THE SECONDARY LOCK IS ALLOWED/ASSUMED TO BREAK AWAY IN THE AREA SHOWN (TYPICAL).
- ⚠️ PRELIMINARY PART NUMBER, NOT TOOLED.

D	1924126-4	⚠️
C	1924126-3	⚠️
B	1924126-2	⚠️
A	1924126-1	
KEYING OPTION	TE PART NUMBER	

THIS DRAWING IS A CONTROLLED DOCUMENT.

DIMENSIONS:	TOLERANCES UNLESS OTHERWISE SPECIFIED:	DMN: M. HITCHCOCK 01MAY2007	CHK: A. VASBINDER 01MAY2007	APVD: A. VASBINDER 01MAY2007	NAME: 21-WAY UNSEALED 1-PIECE (17X 0.64, 4X 2.8)
mm	0 PLC ±0.0 1 PLC ±0.3 2 PLC ±0.10 3 PLC ±0.0 4 PLC ±0.0 ANGLES ±0.0	PRODUCT SPEC	APPLICATION SPEC	SIZE: A1	CAGE CODE: 100779
MATERIAL:	FINISH:	WEIGHT:	Customer Drawing	SCALE: 4:1	SHEET 1 OF 1

RESTRICTED TO: REV C