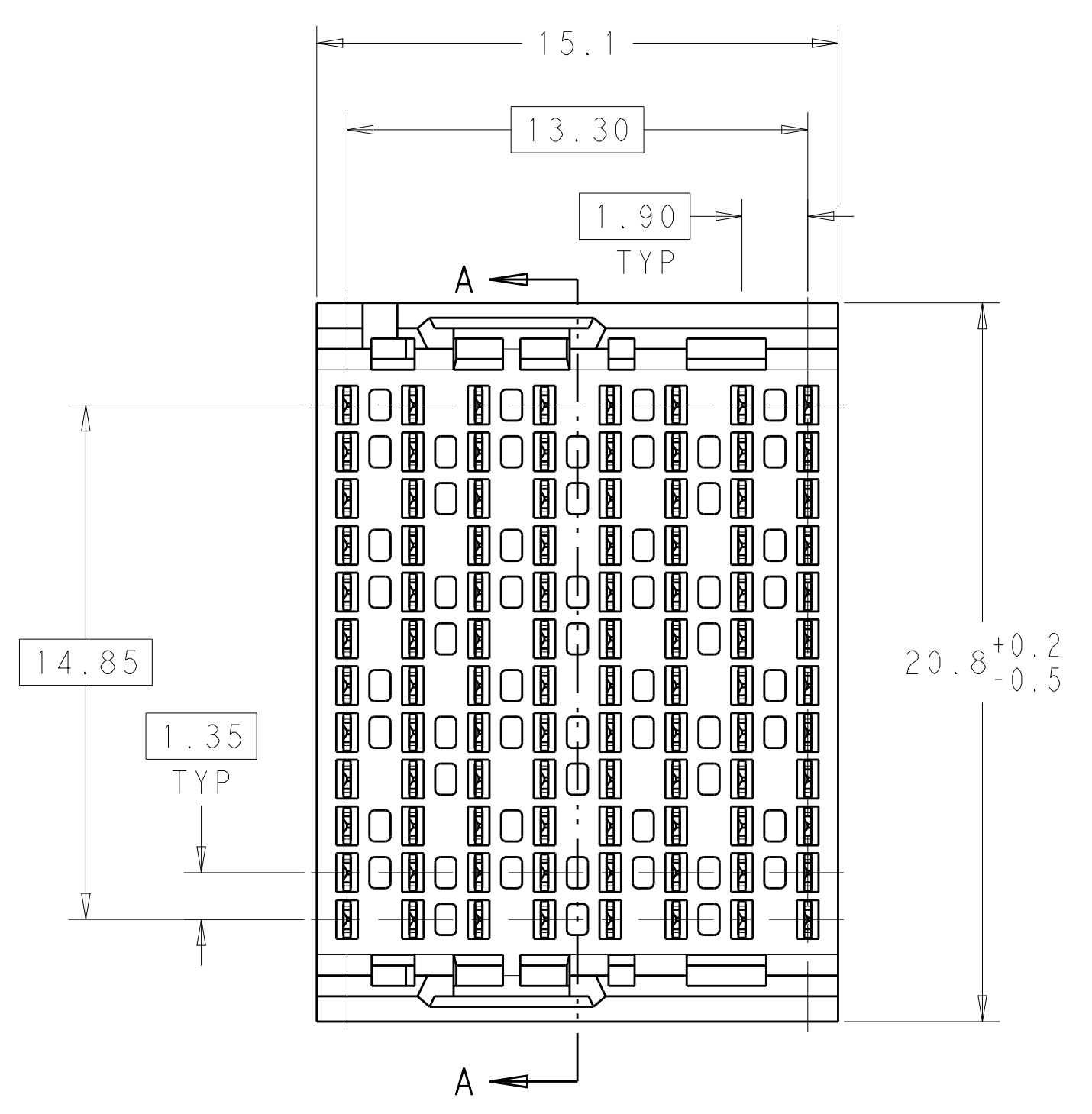
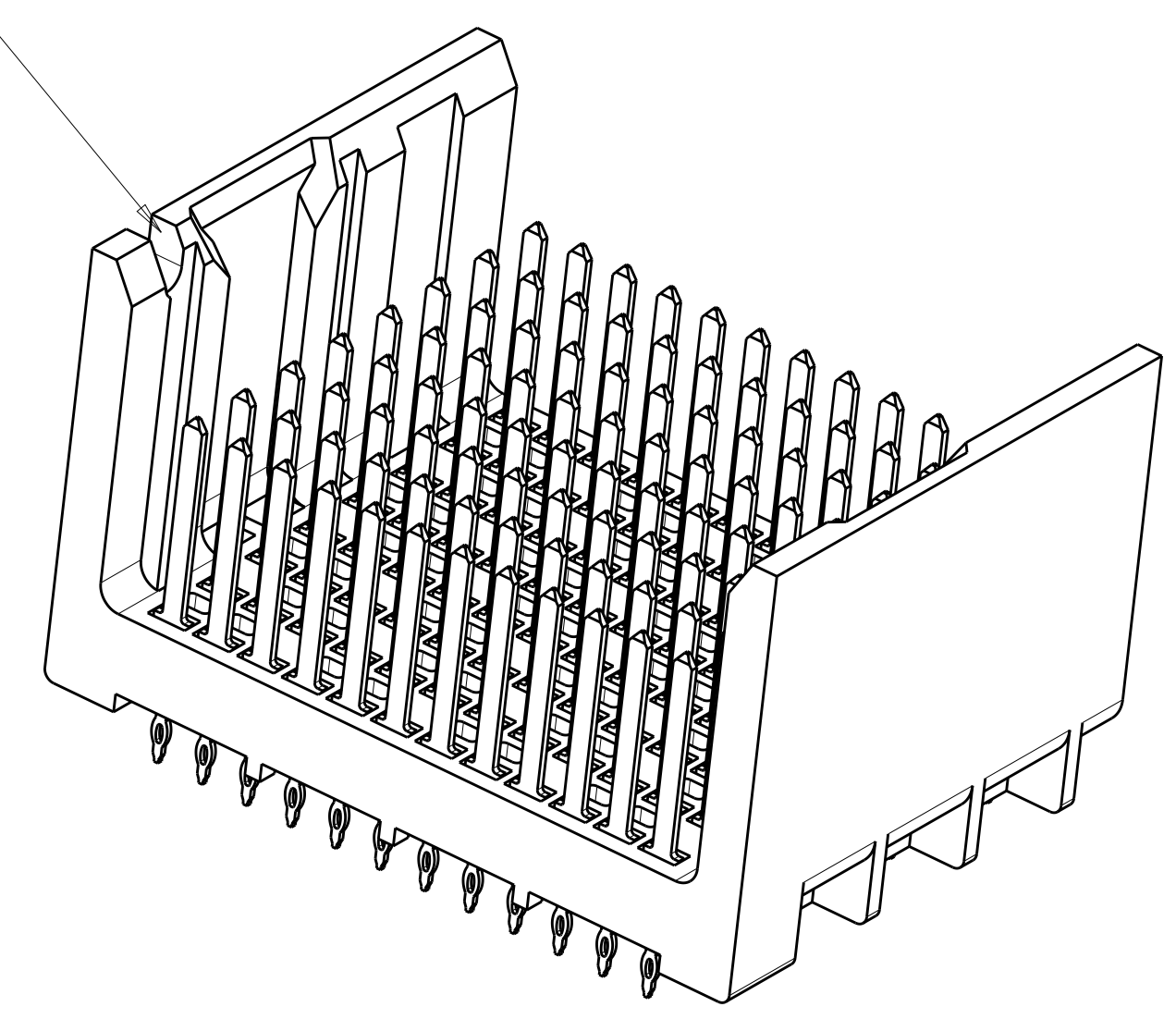


LOC	DIST	REVISIONS			
P	LTN	DESCRIPTION	DATE	DWN	APVD
A		REVISED PER ECO-15-001494	06FEB2015	AP	DD

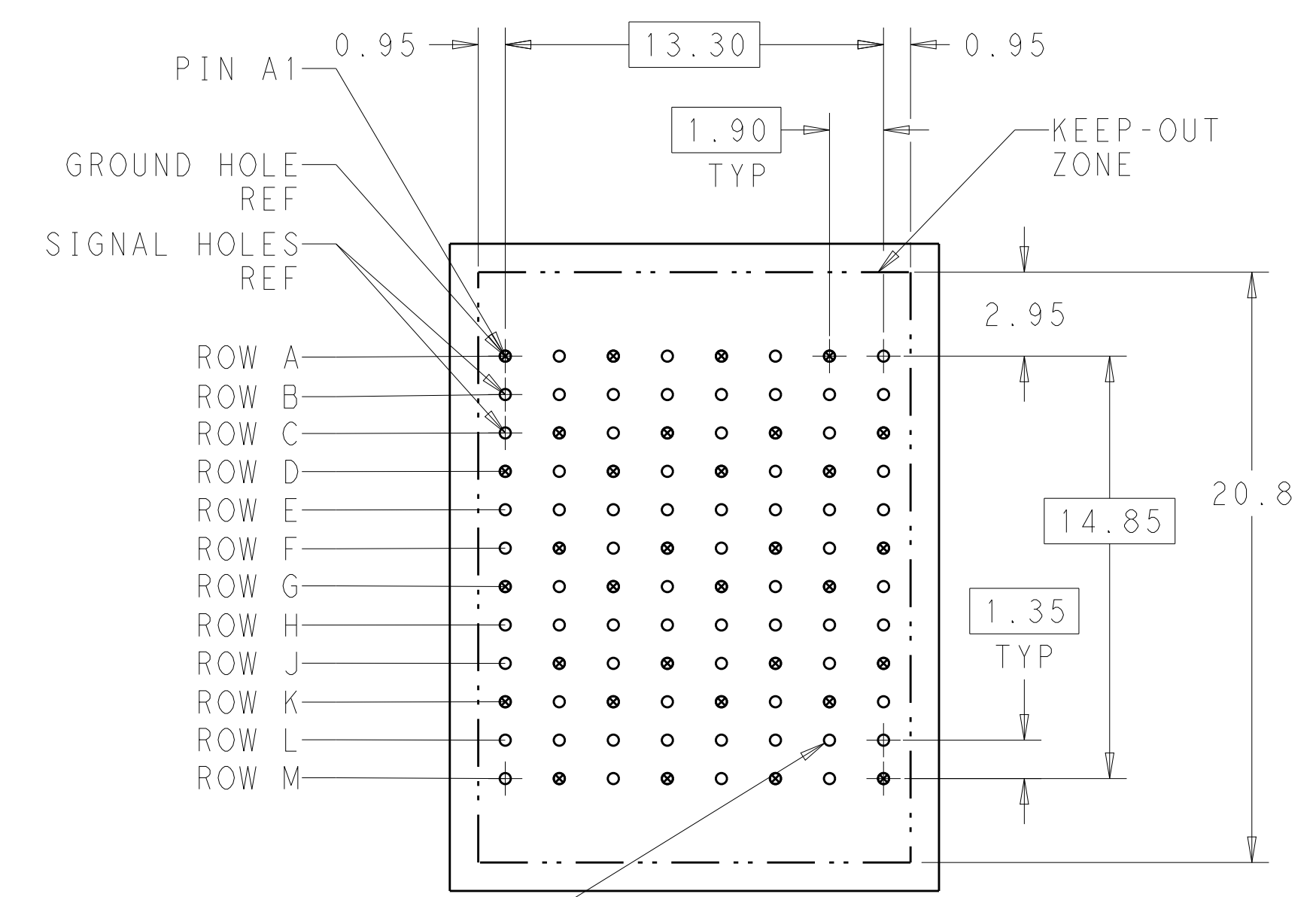


NOTCH DESIGNATES ROW A



⚠ MATERIAL:  
HOUSING: LCP, GLASS FILLED, UL94V-0.  
TERMINALS: HIGH PERFORMANCE COPPER ALLOY.

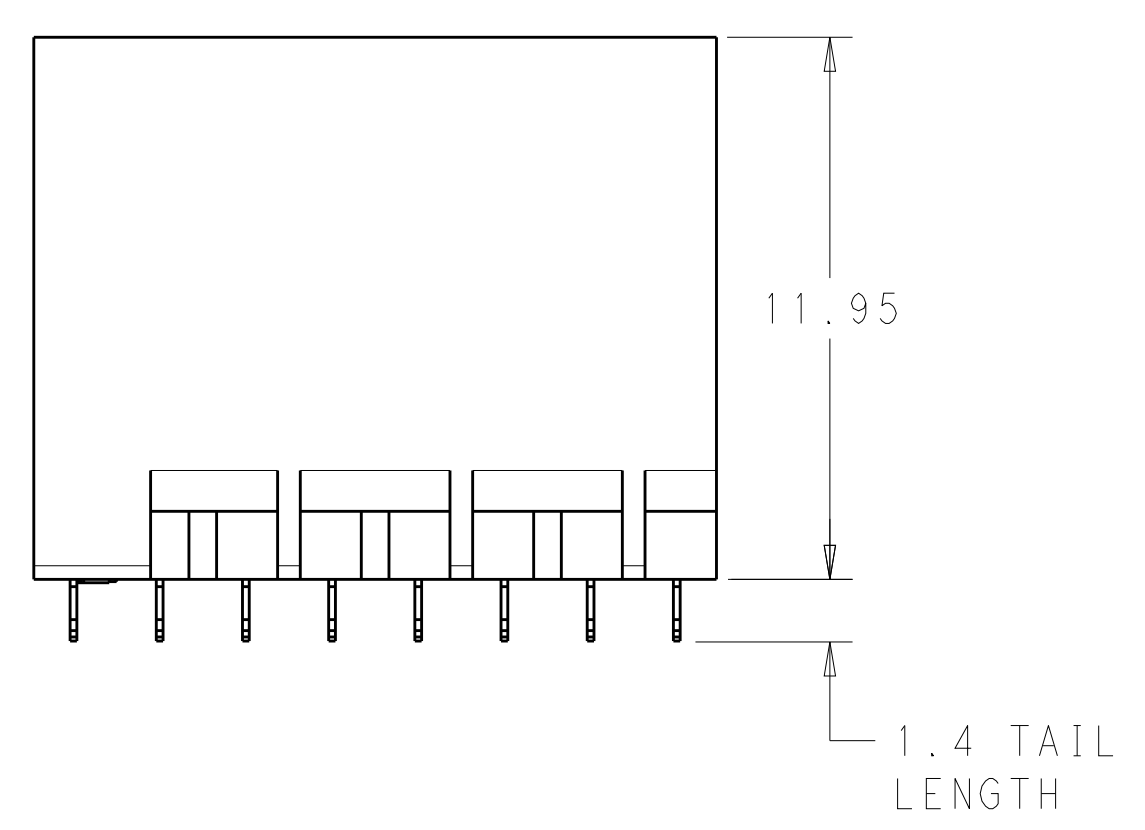
⚠ FINISH:  
30μ" MIN GOLD IN CONTACT AREA. SELECTIVE TIN ON PCB TAILS, NICKEL OVERALL.



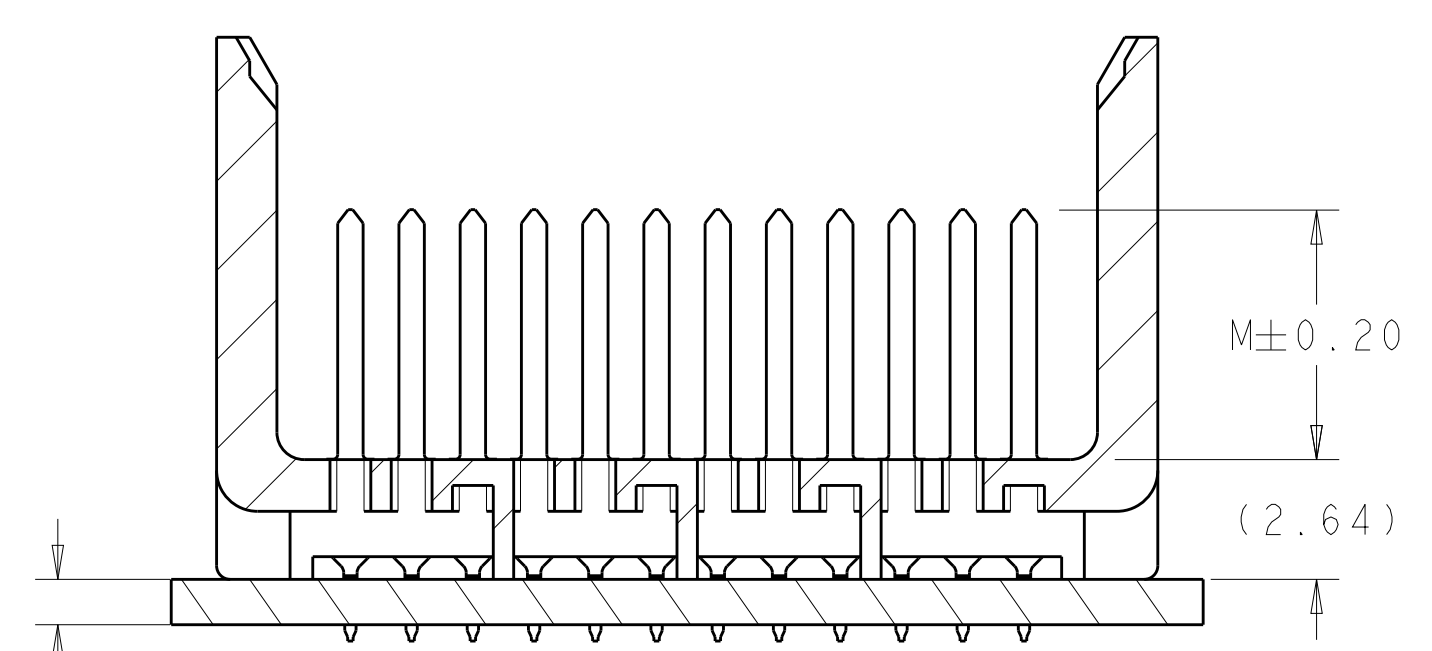
96X  $\varnothing 0.39 \pm 0.05$  PLATED THRU HOLE

96X  $\varnothing 0.48 \pm 0.013$  DRILL HOLE

$\varnothing 0.10$  UNGUIDED BACKPLANE HOLE PATTERN (CONNECTOR SIDE)



1.00 MINIMUM BOARD THICKNESS



SECTION A-A

THIS DRAWING IS A CONTROLLED DOCUMENT.		DWN: KIRAN HOLAL 09JAN2013	<b>STE</b> TE Connectivity
DIMENSIONS: mm		CHK: D. DIXON 09JAN2013	
TOLERANCES UNLESS OTHERWISE SPECIFIED:		APVD: D. DIXON 09JAN2013	NAME: IMPACT, 4 PAIR, 8 COLUMN, HEADER
0 PLC	±	PRODUCT SPEC	UNGUIDED, OPEN END WALL
1 PLC	±0.25	APPLICATION SPEC	SIGNAL MODULE, 0.39 PTH
2 PLC	±0.13	SIZE	A100779C=2057446
3 PLC	±	WEIGHT	Customer Drawing
4 PLC	±	SCALE	6:1
ANGLES	±	SHEET	1 OF 2
FINISH	SEE TABLE	REV	A

THIS DRAWING IS UNPUBLISHED.	RELEASED FOR PUBLICATION	20
© COPYRIGHT 20	BY -	ALL RIGHTS RESERVED.

LOC	DIST	REVISIONS					
		P	LTN	DESCRIPTION	DATE	DWN	APVD
AD	00	-	-	SEE SHEET 1	-	-	-

	5.5	2057446-3
	4.9	2057446-2
	4.5	2057446-1
FINISH	DIM M	PART NUMBER

REFER TO WWW.TE.COM  
FOR PRODUCT AVAILABILITY

THIS DRAWING IS A CONTROLLED DOCUMENT.		DWN KIRAN HOLHL 09JAN2013		TE Connectivity	
		CHK D.DIXON 09JAN2013			
DIMENSIONS:		TOLERANCES UNLESS OTHERWISE SPECIFIED:		NAME	
mm	0 PLC ±	1 PLC ±0.25	2 PLC ±0.13	PRODUCT SPEC	
	3 PLC ±	4 PLC ±	ANGLES ±	APPLICATION SPEC	
MATERIAL	FINISH	WEIGHT	SIZE	CAGE CODE	DRAWING NO
-	SEE TABLE	-	A1	00779	©=2057446
Customer Drawing			SCALE	SHEET	REV
			5:1	2	2 A