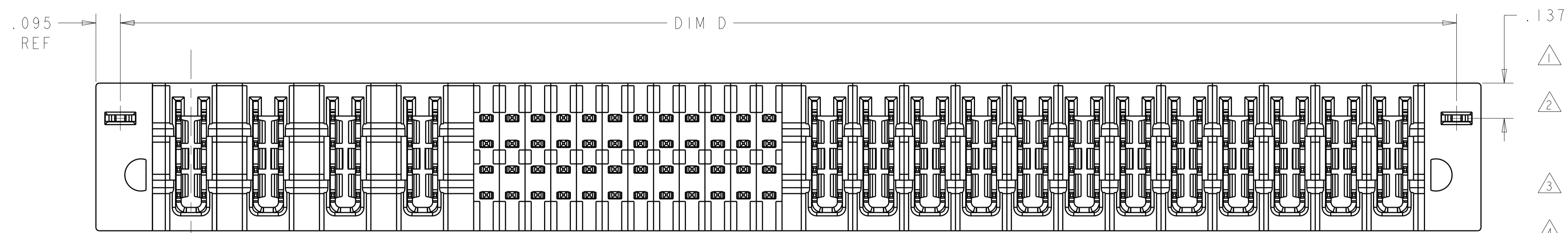
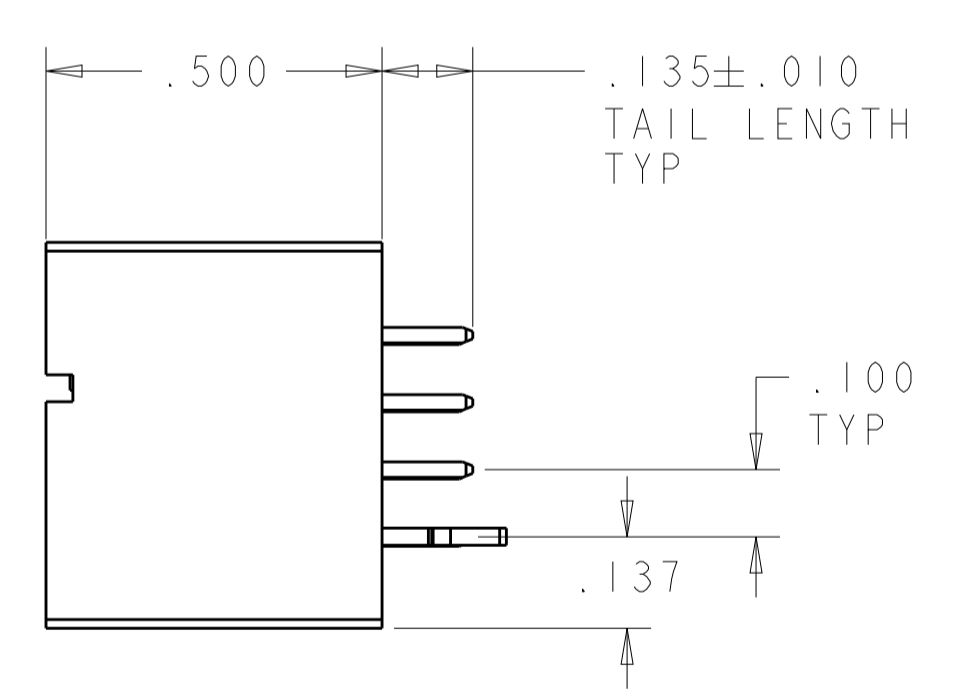
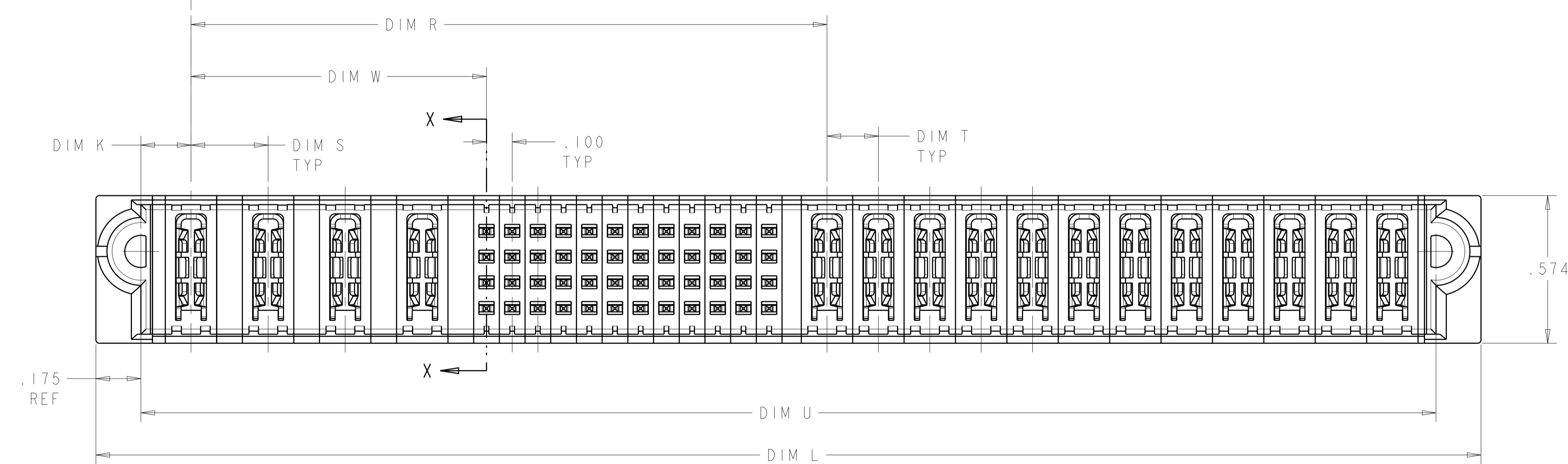
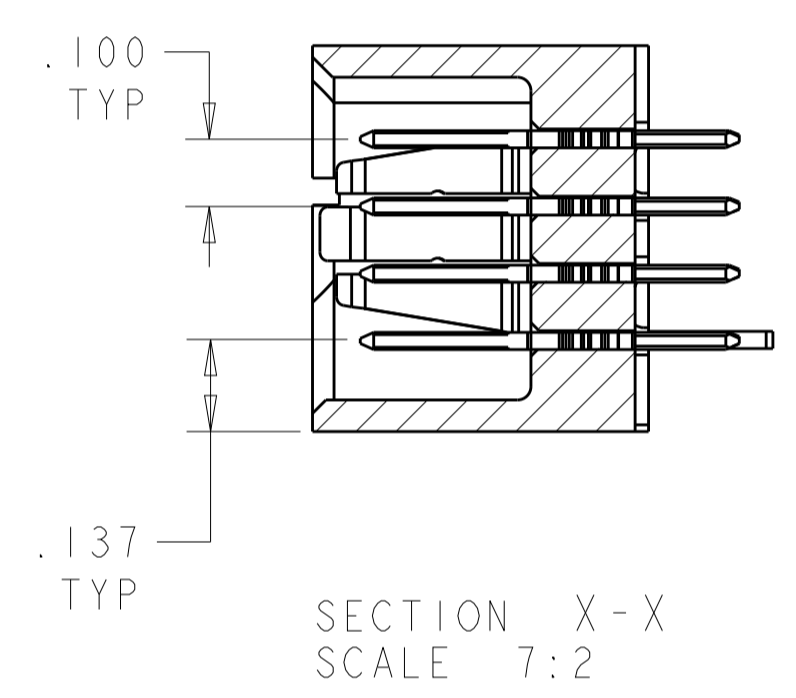
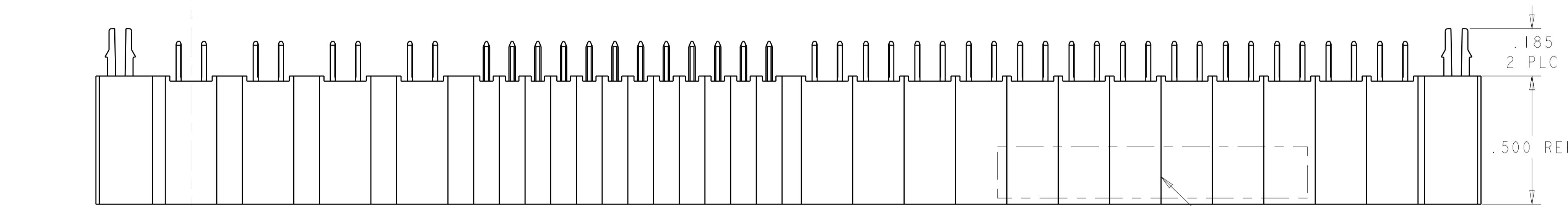


LOC		DIST		REVISIONS			
P	LTN	DESCRIPTION	DATE	DMN	APVD		
D1		RELEASE 1-1	02MAR2015	CZ	SZ		
D2		ADD NEW DASH NUMBER 1-2	10MAY2015	CZ	SZ		



- 1. HEADER HOUSING: THERMO PLASTIC, BLACK, UL94 V-0; CONTACTS AND RETENTION CLIPS: COPPER ALLOY.
- 2. CONTACT PLATING: NOBLE METAL PLATING ON CONTACT FUNCTIONAL AREA OF POWER AND SIGNAL CONTACTS
RETENTION CLIP: .000050 MIN. NI UNDER ALL, .000030 MIN. MATTE Sn OVER ALL
- 3. "AMP", PART NUMBER AND DATE CODE MARKED IN THIS AREA. PARTS UNDER 2.50 LONG MAY BE MARKED ON BOTH SIDES.
- 4. DATUM AND BASIC DIMENSIONS ESTABLISHED BY CUSTOMER.
- 5. PCB - ALL HOLE DIAMETERS ARE FINISHED HOLE SIZES.
- 6. MECHANICAL CONNECTOR KEEP OUT ZONE.
- 7. DETAIL DIM.REFER TO VIEW
- 8. FOR LP/S/LP CONFIGURATION, PLEASE REFER TO SHEET 2.
- 9. DETAIL DIM.REFER TO TABLE


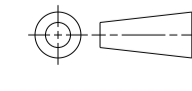


THIS DRAWING IS A CONTROLLED DOCUMENT.		DMN D. ZHU	27DEC2007	STE TE Connectivity
DIMENSIONS: INCHES		CHK S. ZHAO	27DEC2007	
TOLERANCES UNLESS OTHERWISE SPECIFIED:		APVD S. ZHAO	27DEC2007	NAME VERTICAL HEADER W/ DUIDES SOLDER TYPE CONTACT, MULTI-BEAM XLE
0 PLC ±.01		PRODUCT SPEC	108-2292	
1 PLC ±.01		APPLICATION SPEC	114-13251	SIZE A100779
2 PLC ±.005		WEIGHT	-	CAGE CODE C=6450810
3 PLC ±.0020		RESTRICTED TO	-	SCALE 4:1
ANGLES ±.7°		SHEET	1	OF
FINISH		REV	D2	
MATERIAL		Customer Drawing		

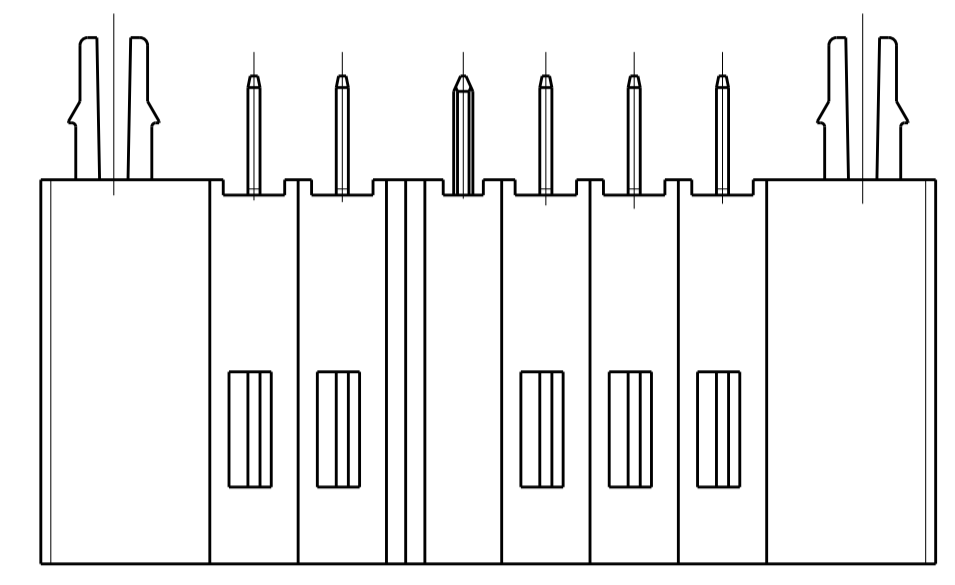
THIS DRAWING IS UNPUBLISHED. RELEASED FOR PUBLICATION 20
 © COPYRIGHT 20 . ALL RIGHTS RESERVED.

LOC	DIST	REVISIONS					
		P.	LTN	DESCRIPTION	DATE	DWN	APVD
ES	00	-	-	SEE SHEET 1	-	-	-

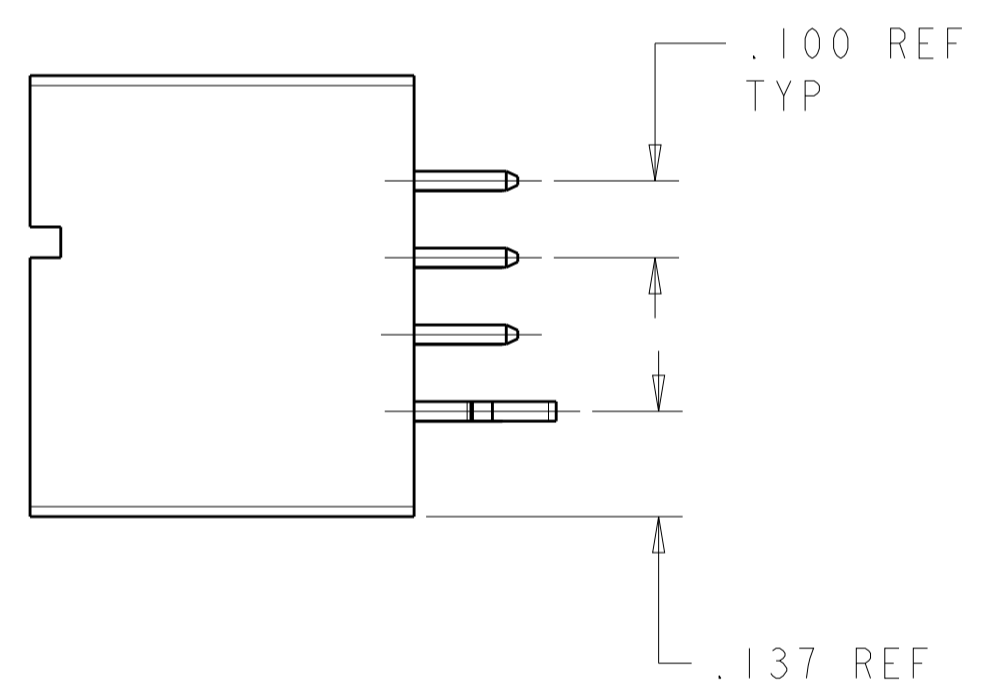
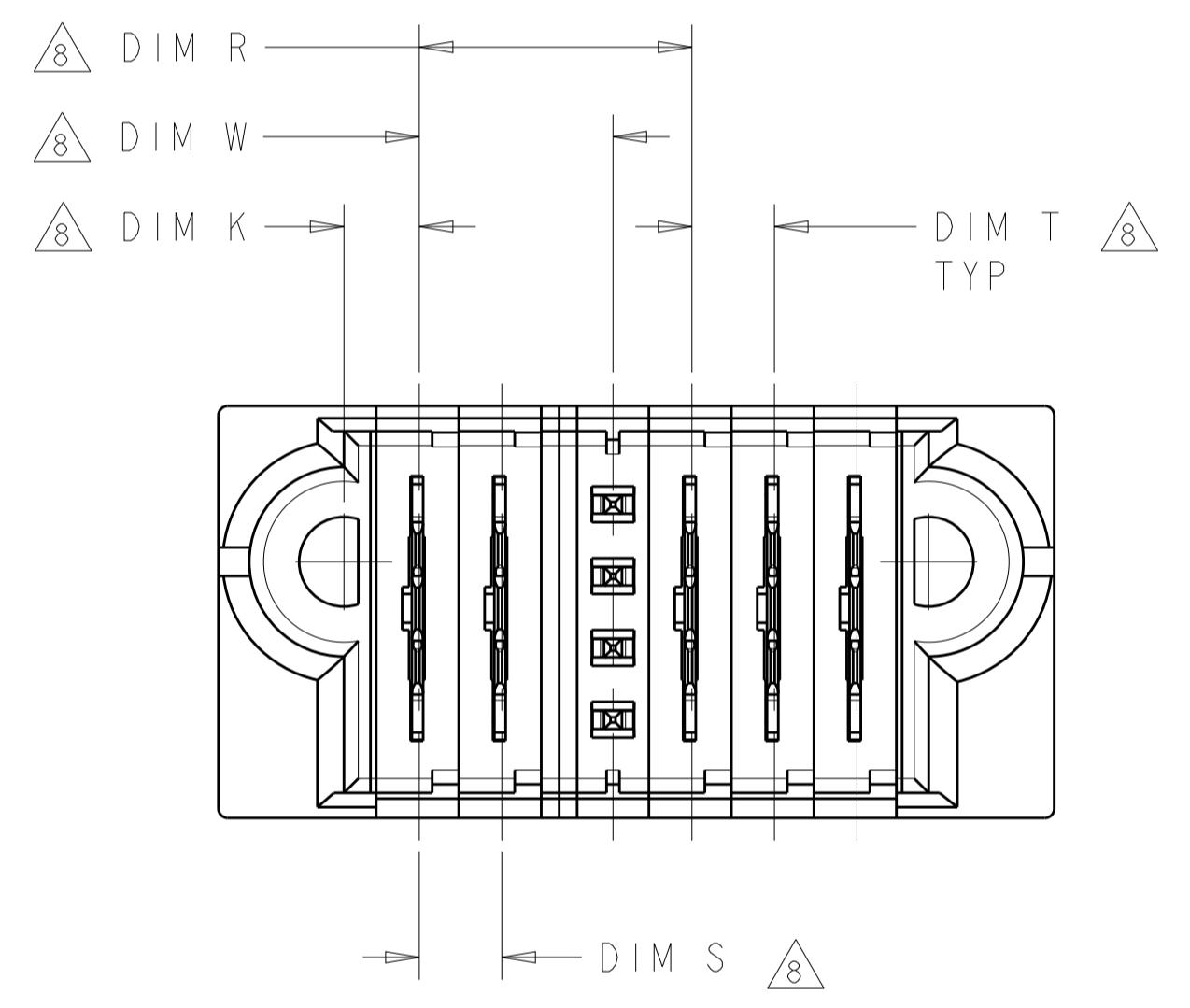
.250	3.100	1.975	.250	5.190	5.350	5.540	.170	8P + 40S + 8P	1-6450810-2
-	.965	.1575	-	1.170	-	1.520	.1025	1LP + 32S + 1LP	1-6450810-1
-	-	-	.9	2.740	2.900	3.090	.170	11P	1-6450810-0
-	-	3.050	.9	3.940	4.100	4.290	.195	10P + 28S	6450810-9
-	-	-	.200	.740	.900	1.090	.170	3HDP	6450810-8
-	.965	.1575	-	1.170	-	1.520	.1025	1LP + 32S + 1LP	6450810-7
.115	.480	.270	.115	.915	1.075	1.265	.105	2LP + 8S + 3LP	6450810-6
.115	.380	.270	.115	.815	.975	1.165	.105	2LP + 4S + 3LP	6450810-5
.200	.800	.350	.200	1.490	1.650	1.840	.145	2HDP + 16S + 3HDP	6450810-4
.9	.9	.9	.9	5.040	5.200	5.390	.170	2P+16S+1P+2ACP+5P+2ACP+1P+16S+1P+8S	6450810-3
.9	2.525	1.525	.9	5.640	5.800	5.990	.195	5P + 28S + 8P	6450810-2
.200	2.475	1.150	.300	5.040	5.200	5.390	.195	4ACP + 48S + 12HDP	6450810-1
DIM T	DIM R	DIM W	DIM S	DIM U	DIM D	DIM L	DIM K	DESCRIPTION	PART NUMBER

THIS DRAWING IS A CONTROLLED DOCUMENT.		DWN D. ZHU 27DEC2007	 TE Connectivity
DIMENSIONS: INCHES		CHK S. ZHAO 27DEC2007	
TOLERANCES UNLESS OTHERWISE SPECIFIED:		APVD S. ZHAO 27DEC2007	NAME VERTICAL HEADER W/ DUIDES SOLDER TYPE CONTACT, MULTI-BEAM XLE
0 PLC ±. 1 PLC ±.01 2 PLC ±.01 3 PLC ±.005 4 PLC ±.0020 ANGLES ±.020		PRODUCT SPEC 108-2292	SIZE A100779
		APPLICATION SPEC 114-13251	DRAWING NO 6450810
MATERIAL		WEIGHT	RESTRICTED TO
FINISH		Customer Drawing	SCALE 4:1 SHEET 2 OF 10 REV D2

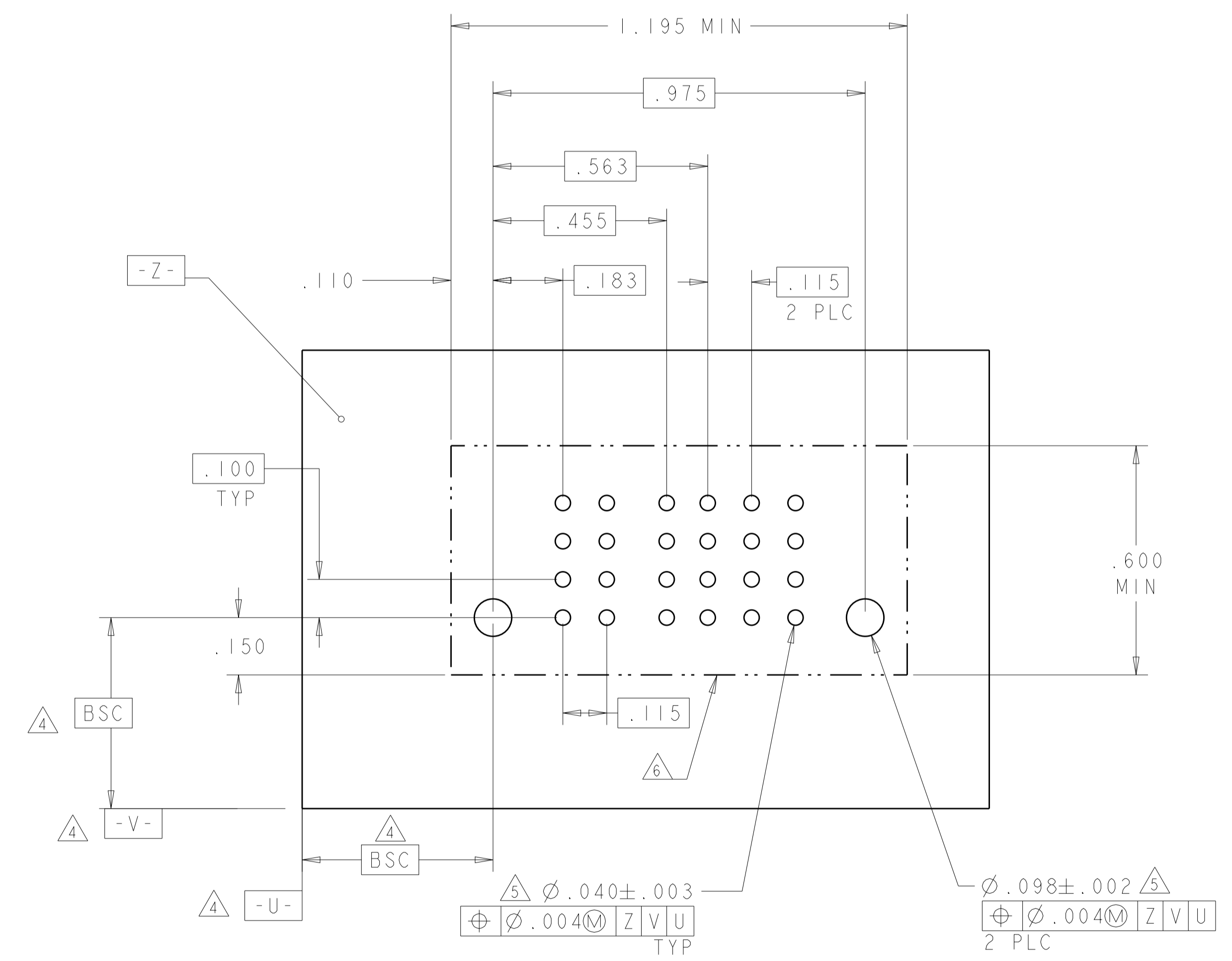
LOC	DIST	REVISIONS			
P	LTN	DESCRIPTION	DATE	DMN	APVD
ES	00	SEE SHEET 1			



PART NUMBER	ROWS	POWER		SIGNAL	POWER		
		P1	P2	I	P3	P4	P5
6450810-5	D	LX	LX	MV	LXF	LXF	LXF
	C			MV			
	B			MV			
	A			MV			
2LP+4S+3LP		HD					HD



(B1) FOR LP/S/LP (6450810-5/-6/-7) CONFIGURATION UNSPECIFIED DIM REFER TO SHEET 1



DESIGN APPROVED THIS PRINT IS
PRELIMINARY
 TO FIRST PIECE APPROVAL
 CONTACT PRODUCT ENGINEERING
 BEFORE USING THIS PRINT

THIS DRAWING IS A CONTROLLED DOCUMENT.		DMN: D. ZHU 27DEC2007	TE Connectivity
DIMENSIONS: INCHES		CHK: S. ZHAO 27DEC2007	
TOLERANCES UNLESS OTHERWISE SPECIFIED:		APVD: S. ZHAO 27DEC2007	NAME: VERTICAL HEADER W/ DUIDES SOLDER TYPE CONTACT, MULTI-BEAM XLE
0 PLC ±. 1 PLC ±.01 2 PLC ±.01 3 PLC ±.005 4 PLC ±.0020 ANGLES ±.7°		PRODUCT SPEC: 108-2292	SIZE: A100779
MATERIAL: -		APPLICATION SPEC: 114-13251	CAGE CODE: C=6450810
FINISH: -		WEIGHT: -	RESTRICTED TO: -
		Customer Drawing	SCALE: 4:1 SHEET 3 OF 10 REV: D2

LOC	DIST	REVISIONS			
P	LTN	DESCRIPTION	DATE	DMN	APVD
ES	00	SEE SHEET 1			

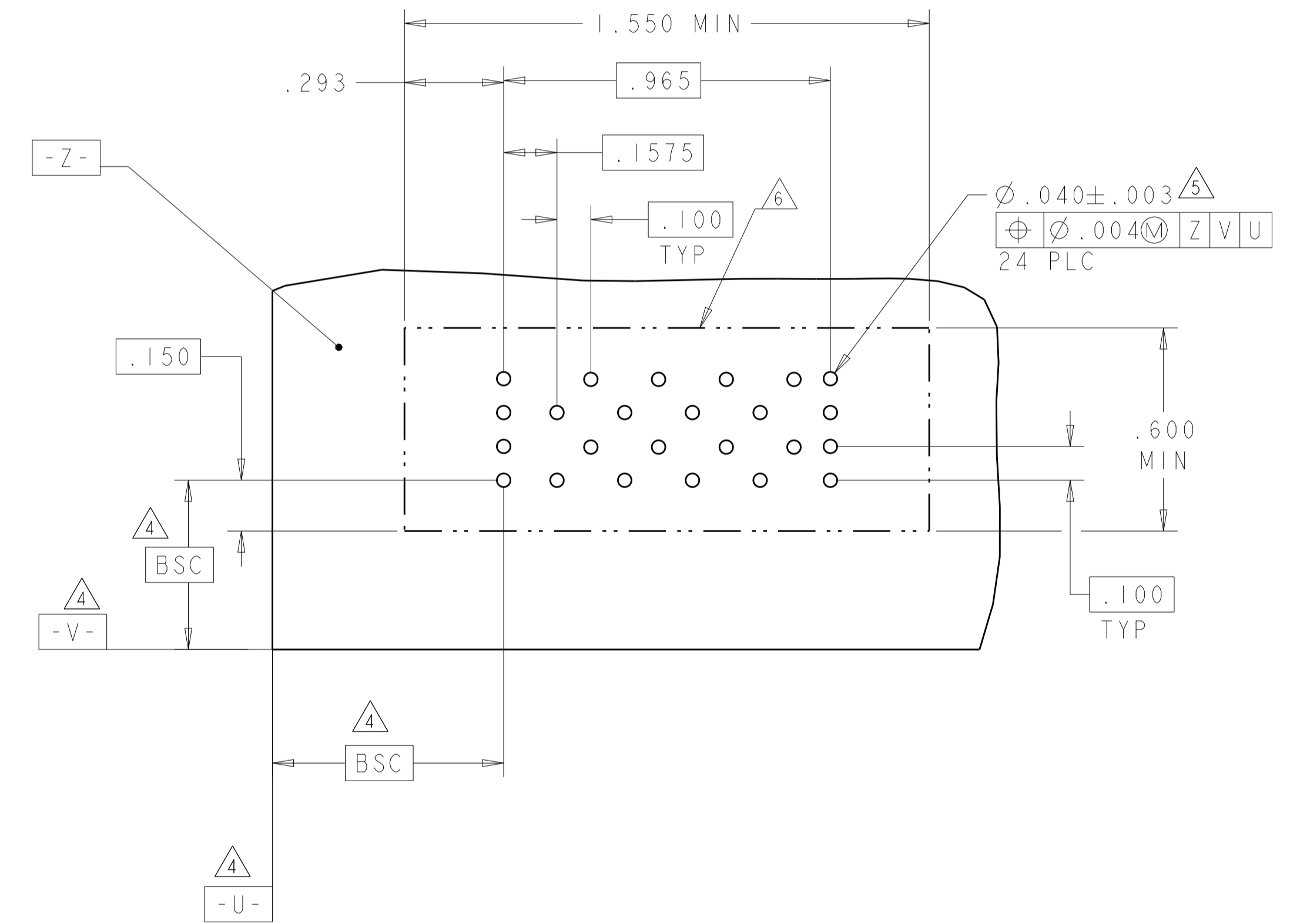
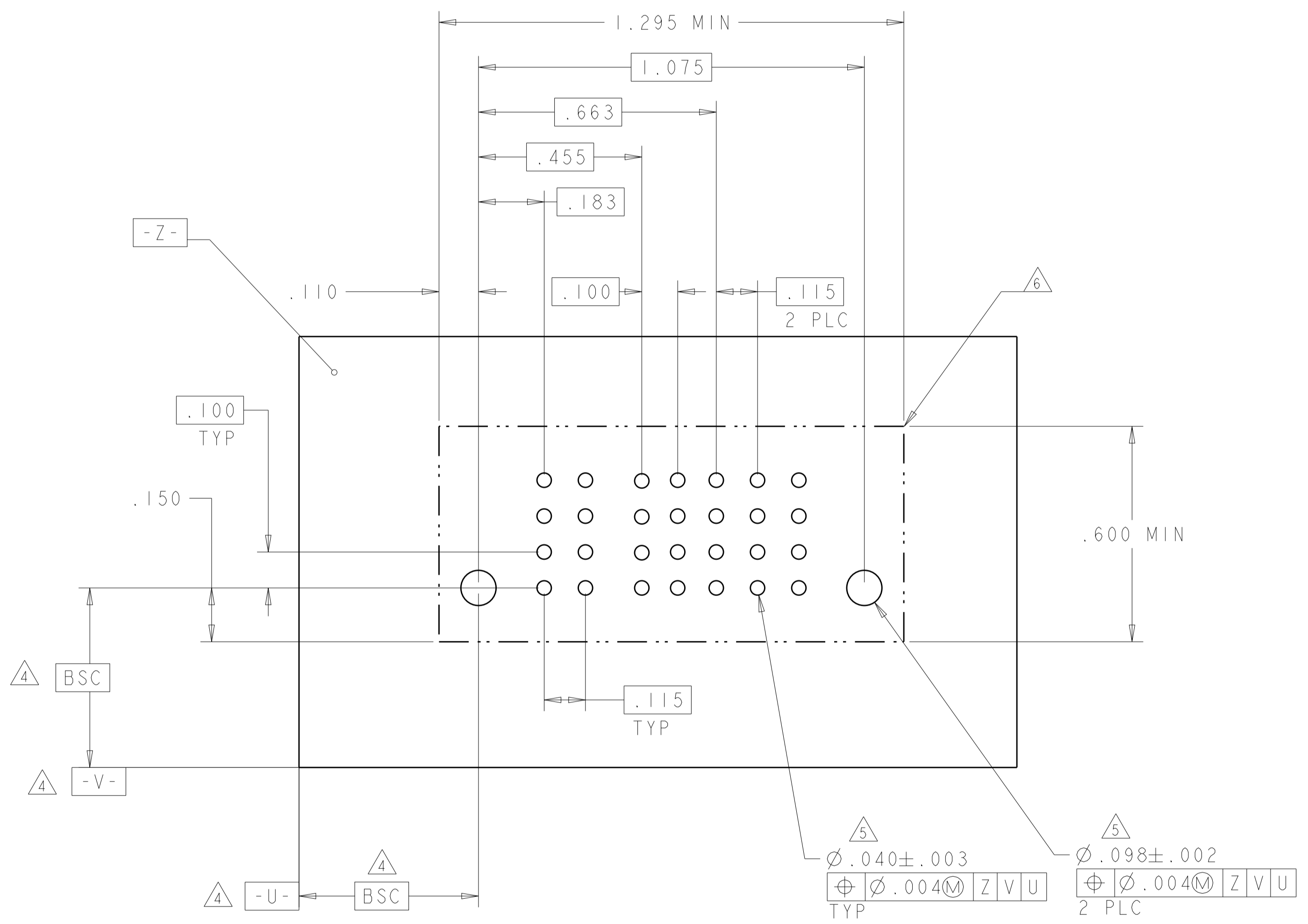
B2

PART NUMBER	ROWS	POWER		SIGNAL		POWER		
		P1	P2	1	2	P3	P4	P5
6450810-6	D	LX	LX	MV	MV	LXF	LXF	LXF
	C			MV	MV			
	B			MV	MV			
	A			MV	MV			
2LP+8S+3LP	HD							HD

C

PART NUMBER	ROWS	LOW POWER		SIGNAL								LOW POWER		
		LPI	LP2	1	2	3	4	5	6	7	8	LP1	LP2	
6450810-7	D	LXF	LXF	MV	MV	MV	MV	MV	MV	MV	MV	MV	LXF	LXF
	C			MV	MV	MV	MV	MV	MV	MV				
	B			MV	MV	MV	MV	MV	MV	MV				
	A			MV	MV	MV	MV	MV	MV	MV				
1LP+32S+1LP														

NO CONTACTS LOADED



THIS DRAWING IS A CONTROLLED DOCUMENT.		DMN: D.ZHU 27DEC2007	 TE Connectivity
DIMENSIONS: INCHES		CHK: S.ZHAO 27DEC2007	
TOLERANCES UNLESS OTHERWISE SPECIFIED:		APVD: S.ZHAO 27DEC2007	NAME: VERTICAL HEADER W/ DUIDES SOLDER TYPE CONTACT, MULTI-BEAM XLE
0 PLC ±.01 2 PLC ±.01 3 PLC ±.005 4 PLC ±.0020 ANGLES ±.2°		PRODUCT SPEC: 108-2292	SIZE: A1
MATERIAL: -		APPLICATION SPEC: 114-13251	CAGE CODE: -
FINISH: -		WEIGHT: -	DRAWING NO: 6450810
		Customer Drawing	SCALE: 4:1 SHEET 4 OF 10 REV: D2

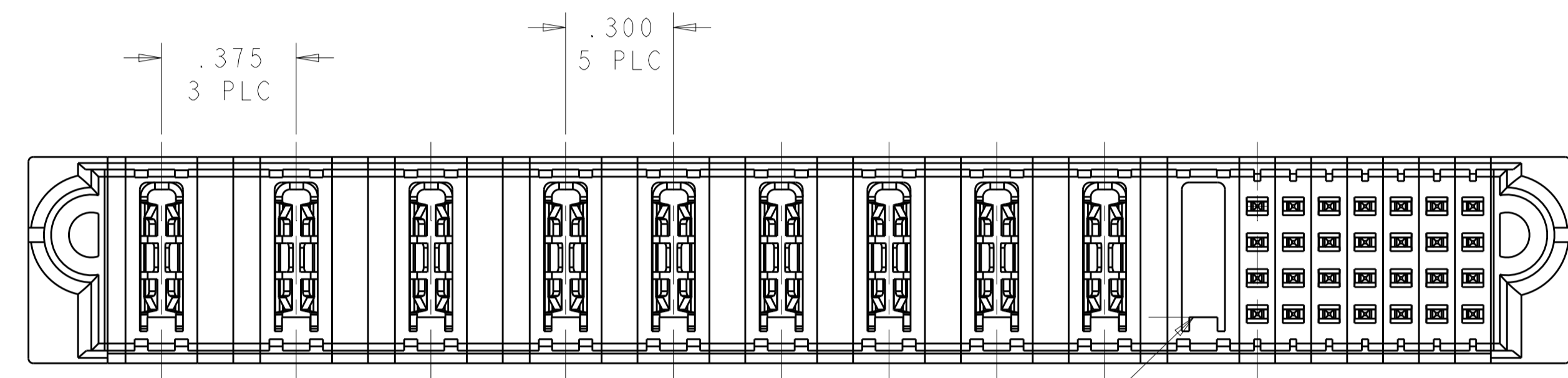
LOC	DIST	REV	DATE	APP'D
ES	00			

REVISIONS		DATE	OWN	APP'D
	SEE SHEET 1			

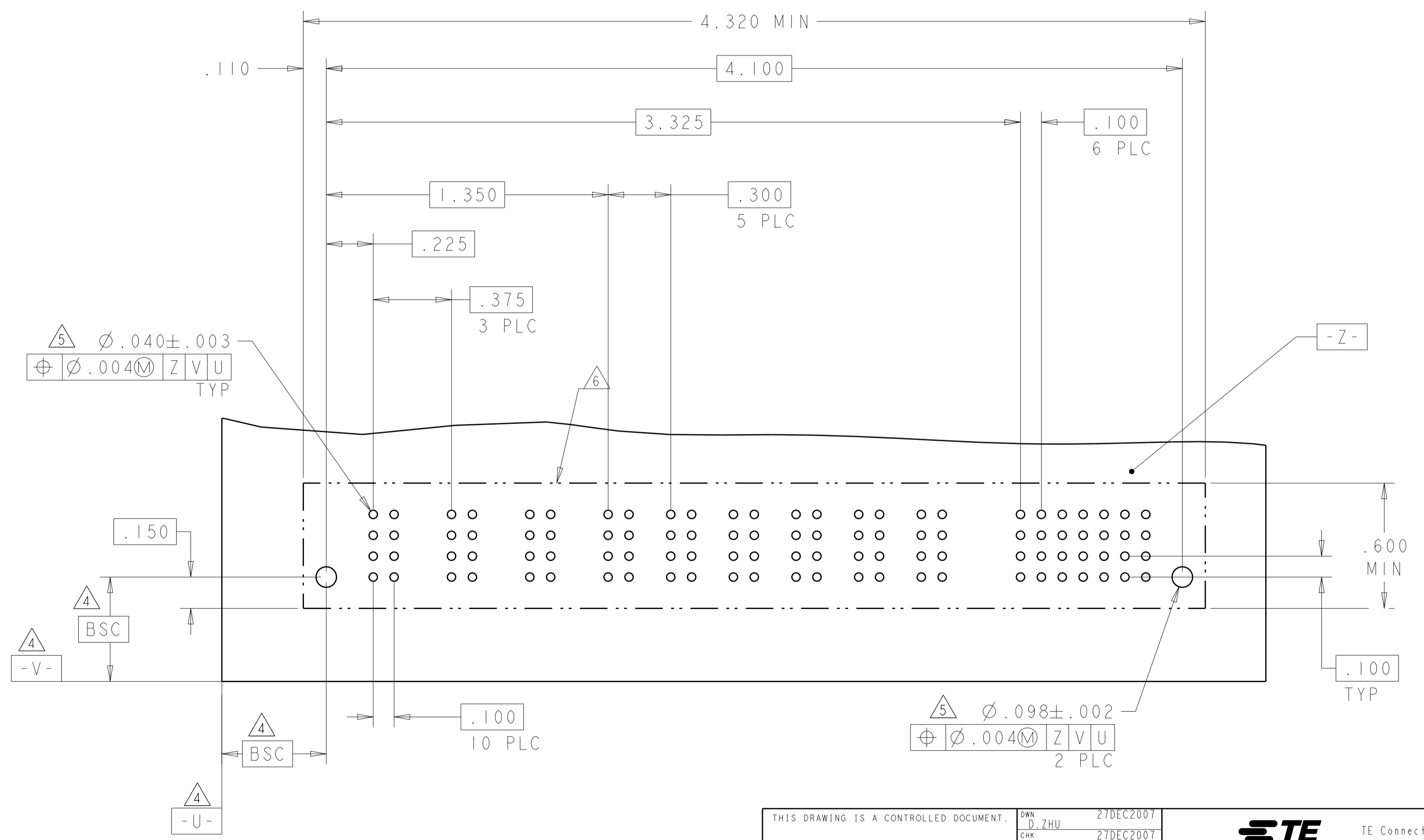
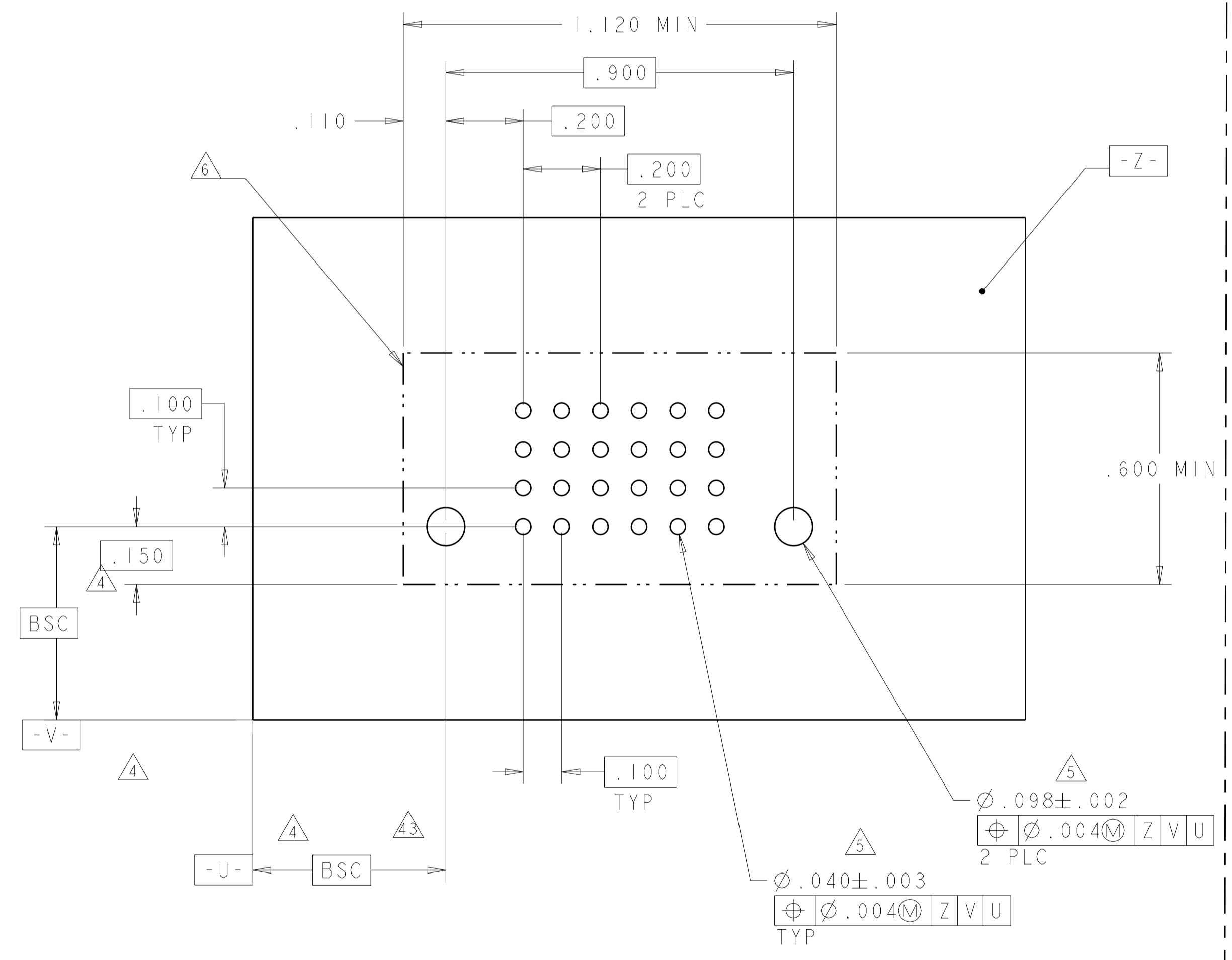
PART NUMBER	ROWS	POWER			HD
		P1	P2	P3	
6450810-8	D	SZ	SZ	SZ	HD
	C				
	B				
	A				
3HDP					

PART NUMBER	ROWS	POWER										SIGNAL							HD
		P1	P2	P3	P4	P5	P6	P7	P8	P9	P10	1	2	3	4	5	6	7	
6450810-9	D	SZ	SZ	SZ	SZ	SZ	SZ	SZ	SZ	SZ	SZ	SV	SV	SV	SV	SV	SV	SV	
	C											SV	SV	SV	SV	SV	SV	SV	
	B											SV	SV	SV	SV	SV	SV	SV	
	A											SV	SV	SV	SV	SV	SV	SV	
10P + 28S																			

NO CONTACT LOADED

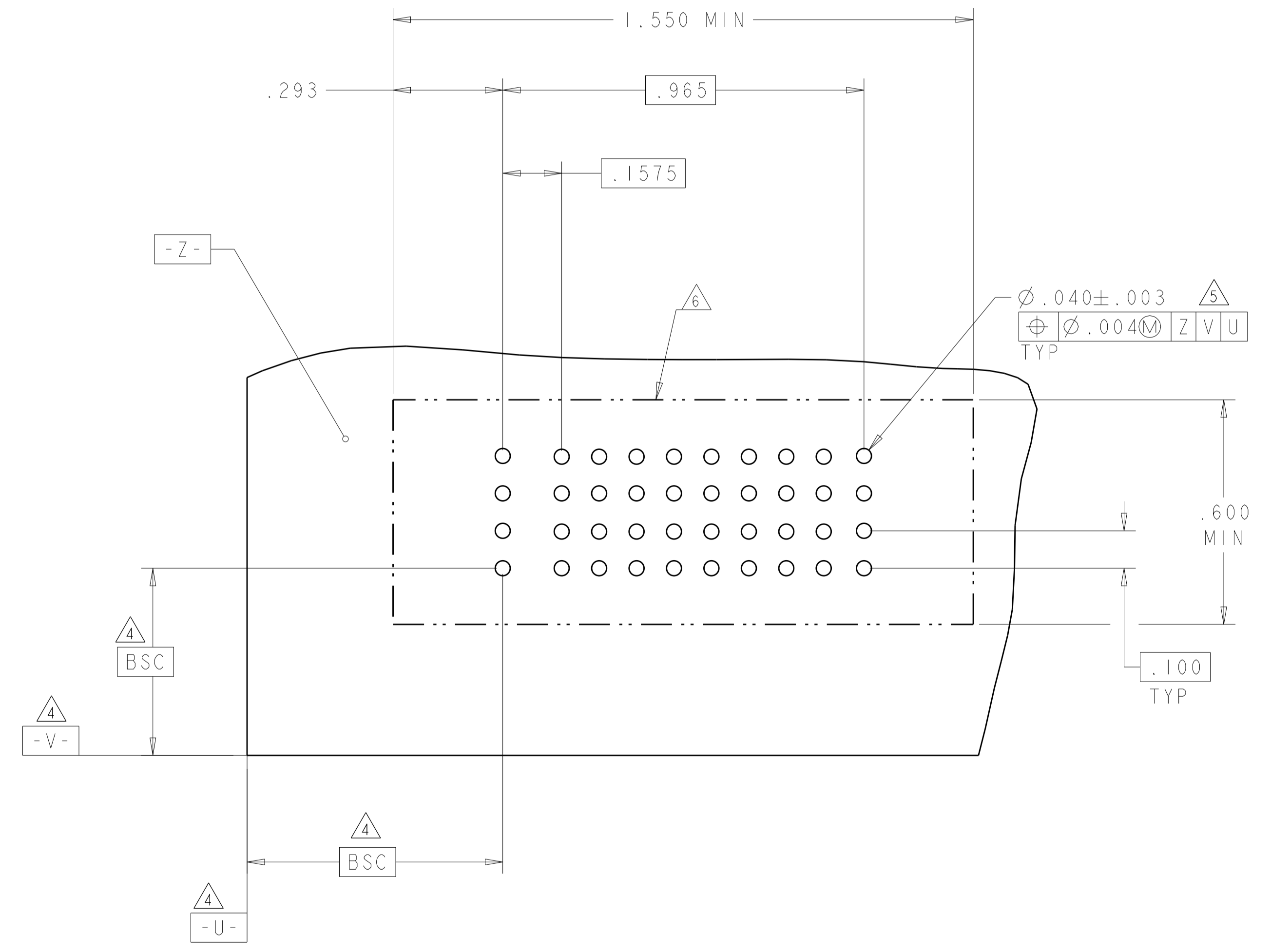
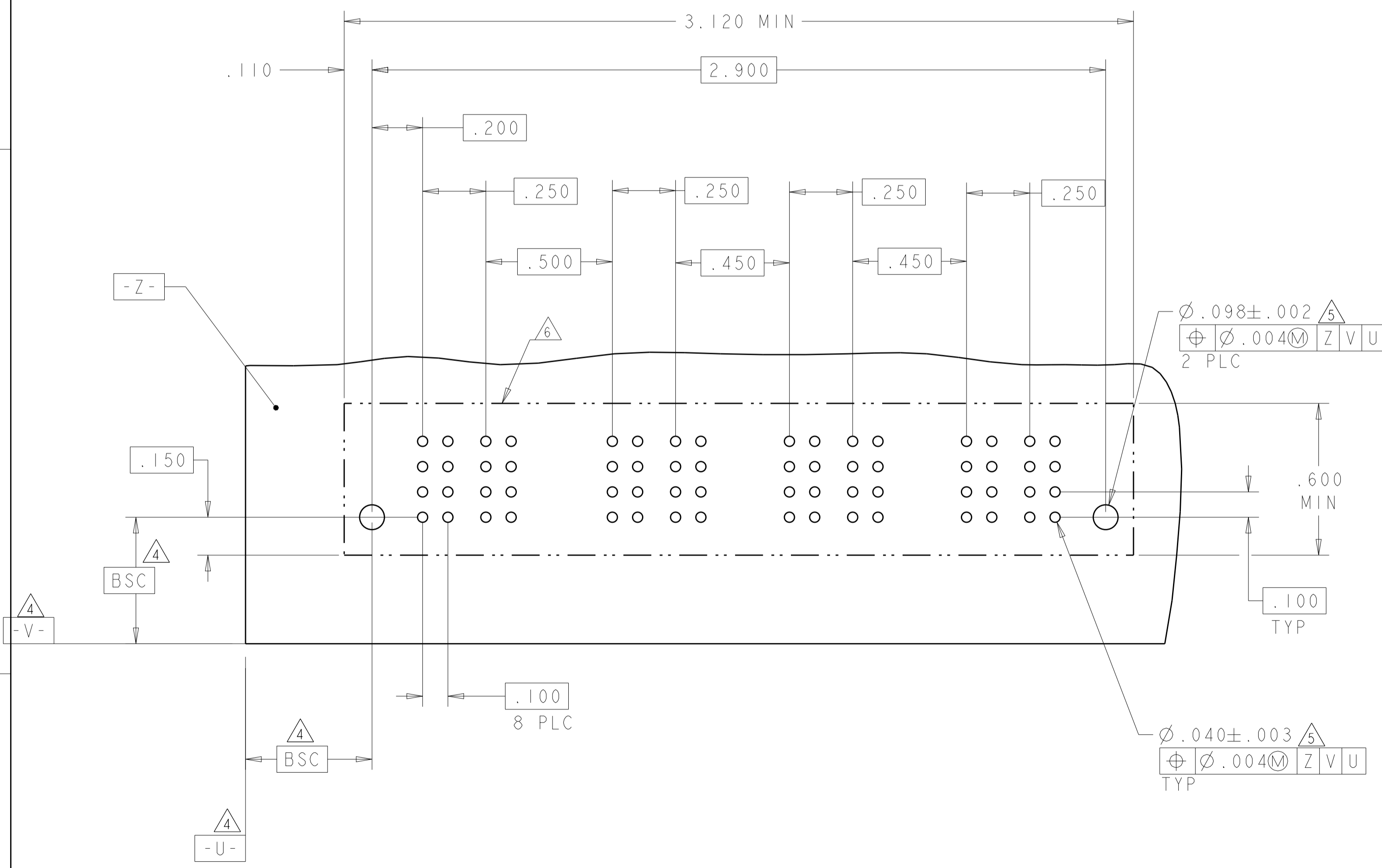
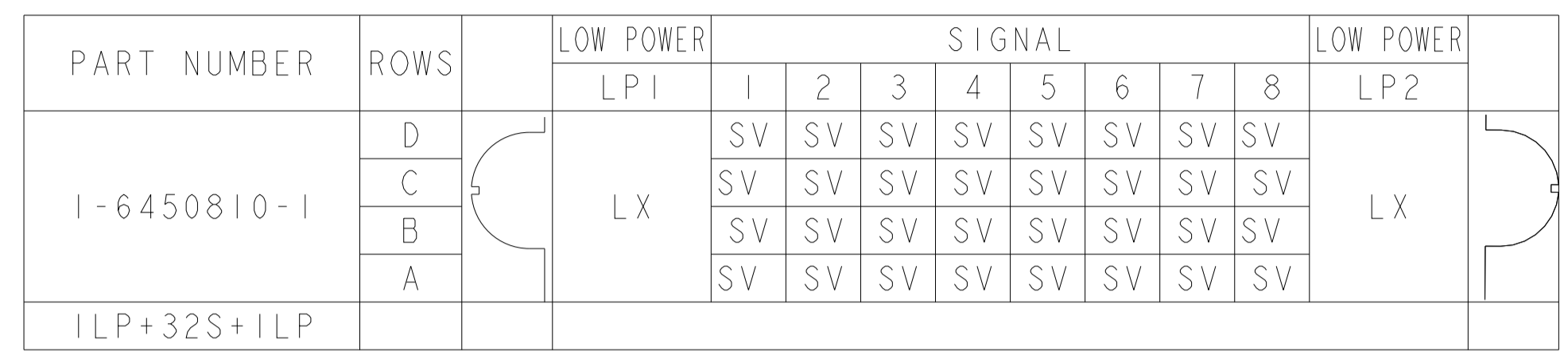
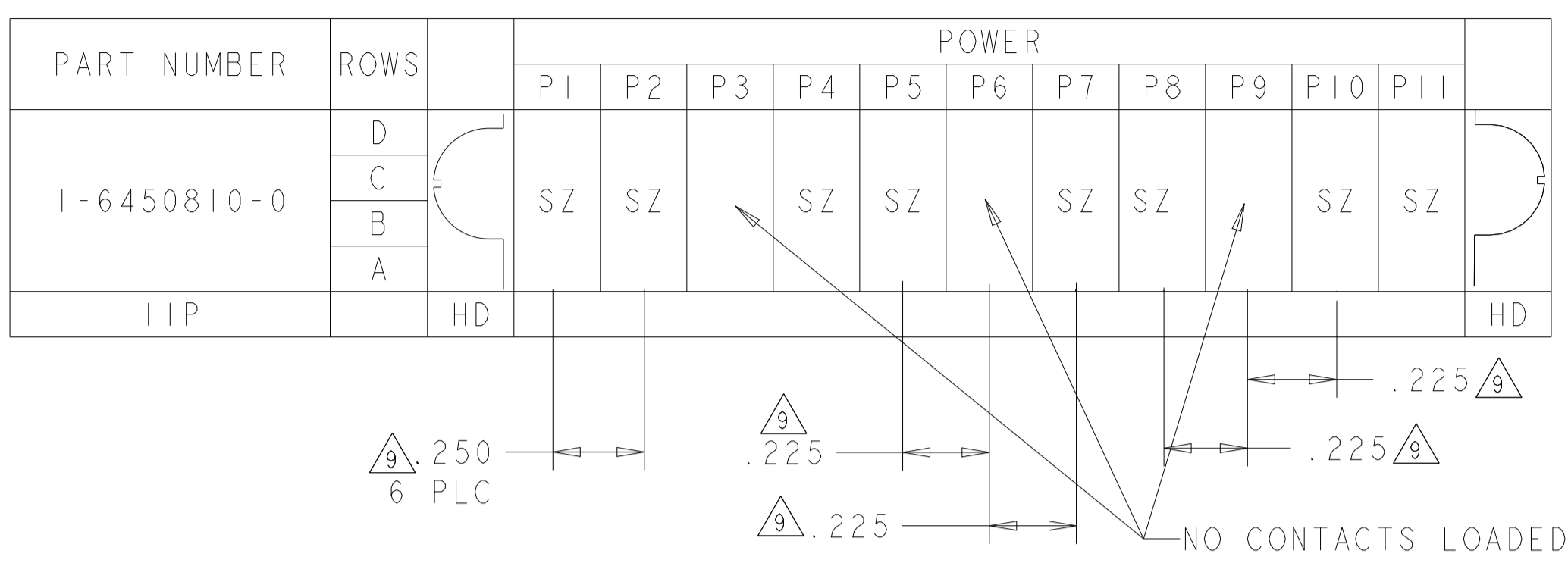


NO CONTACT LOADED



THIS DRAWING IS A CONTROLLED DOCUMENT.		OWN: D. ZHU	27DEC2007	 TE Connectivity
DIMENSIONS: INCHES		CHK: S. ZHAO	27DEC2007	
TOLERANCES UNLESS OTHERWISE SPECIFIED:		APVD: S. ZHAO	27DEC2007	NAME: VERTICAL HEADER W/ DUIDES SOLDER TYPE CONTACT, MULTI-BEAM XLE
0 PLC ± 1 PLC ±.01 2 PLC ±.01 3 PLC ±.005 4 PLC ±.002 ANGLES ±.020 FINISH		PRODUCT SPEC: 108-2292 APPLICATION SPEC: 114-13251 WEIGHT:		SIZE: A100779 CAGE CODE: C=6450810 DRAWING NO:
MATERIAL:		Customer Drawing		RESTRICTED TO: - SCALE: 4:1 SHEET: 8 OF 10 REV: D2

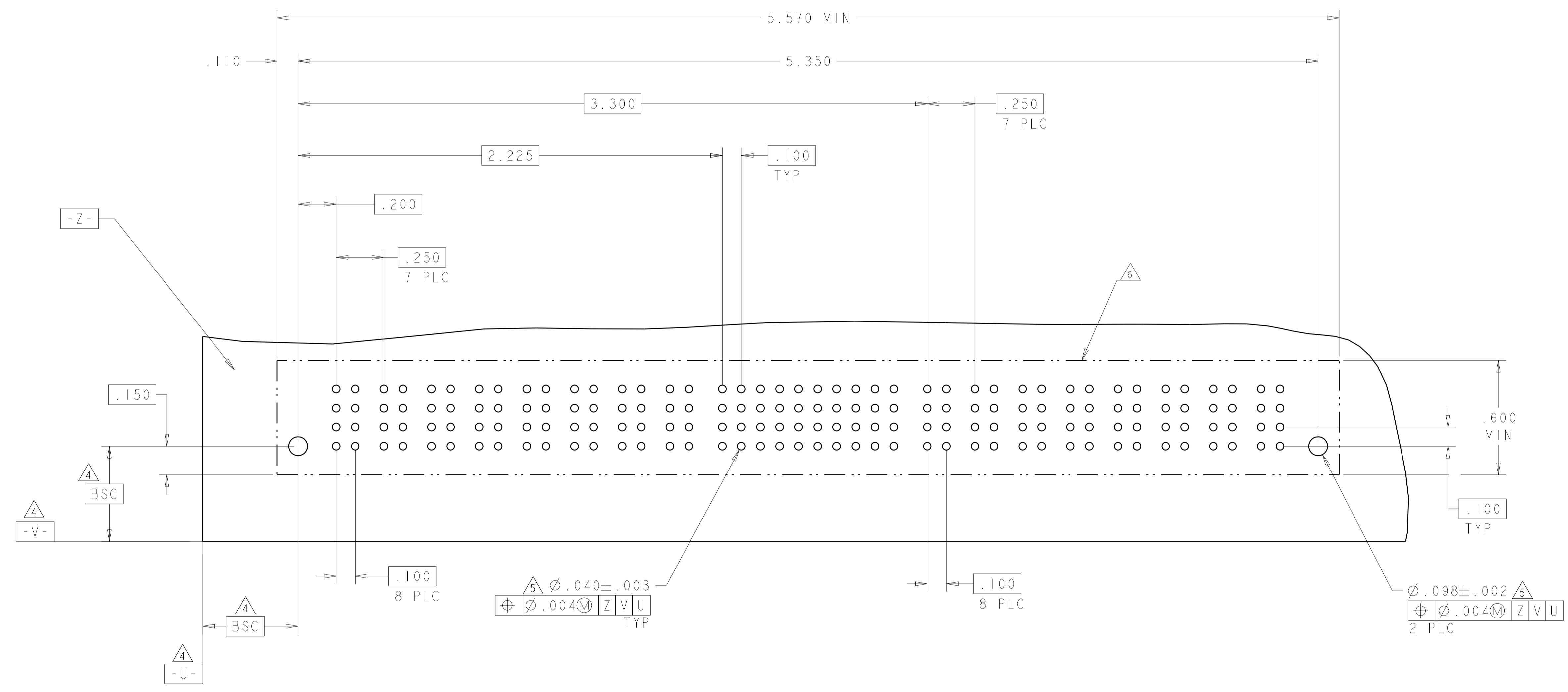
LOC	DIST	REVISIONS					
		REV	LTN	DESCRIPTION	DATE	OWN	APPD
ES	00	-	-	SEE SHEET 1	-	-	-



THIS DRAWING IS A CONTROLLED DOCUMENT.		OWN: D. ZHU	27DEC2007		TE Connectivity
DIMENSIONS: INCHES		CHK: S. ZHAO	27DEC2007		
TOLERANCES UNLESS OTHERWISE SPECIFIED:		APVD: S. ZHAO	27DEC2007	NAME: VERTICAL HEADER W/ DUIDES	
0 PLC ±		PRODUCT SPEC		SOLDER TYPE CONTACT, MULTI-BEAM XLE	
1 PLC ±.01		APPLICATION SPEC		SIZE: A1	CAGE CODE: 6450810
2 PLC ±.01		WEIGHT		SCALE: 4:1	SHEET: 9 OF 10
3 PLC ±.005		Customer Drawing		REV: D2	
4 PLC ±.002					
ANGLES ±.020					
FINISH					

LOC	DIST	REVISIONS			
P	LTN	DESCRIPTION	DATE	DMN	APVD
-	-	SEE SHEET 1	-	-	-

PART NUMBER	ROWS	POWER								SIGNAL										POWER									
		P1	P2	P3	P4	P5	P6	P7	P8	1	2	3	4	5	6	7	8	9	10	P8	P10	P11	P12	P13	P14	P15	P16		
I-6450810-2	D		SZ	SZ	SZ	SZ	SZ	SZ	SZ	SV	SV	SV	SV	SV	SV	SV	SV	SV	SV	SZ	SZ	SZ	SZ	SZ	SZ	SZ	SZ		
	SV									SV	SV	SV	SV	SV	SV	SV	SV	SV											
	SV									SV	SV	SV	SV	SV	SV	SV	SV	SV											
	SV									SV	SV	SV	SV	SV	SV	SV	SV	SV											
8P+40S+8P	HD	HD																											



THIS DRAWING IS A CONTROLLED DOCUMENT.		DMN D.ZHU 27DEC2007	 TE Connectivity
DIMENSIONS: INCHES		CHK S.ZHAO 27DEC2007	
TOLERANCES UNLESS OTHERWISE SPECIFIED:		APVD S.ZHAO 27DEC2007	NAME
0 PLC ± 1 PLC ±.01 2 PLC ±.01 3 PLC ±.005 4 PLC ±.0020 ANGLES ±.2°	PRODUCT SPEC 108-2292 APPLICATION SPEC 114-13251 WEIGHT -	SIZE A100779 CAGE CODE C=6450810 CUSTOMER DRAWING	RESTRICTED TO -
MATERIAL - FINISH -		SCALE 4:1 SHEET 10 OF 10 REV D2	