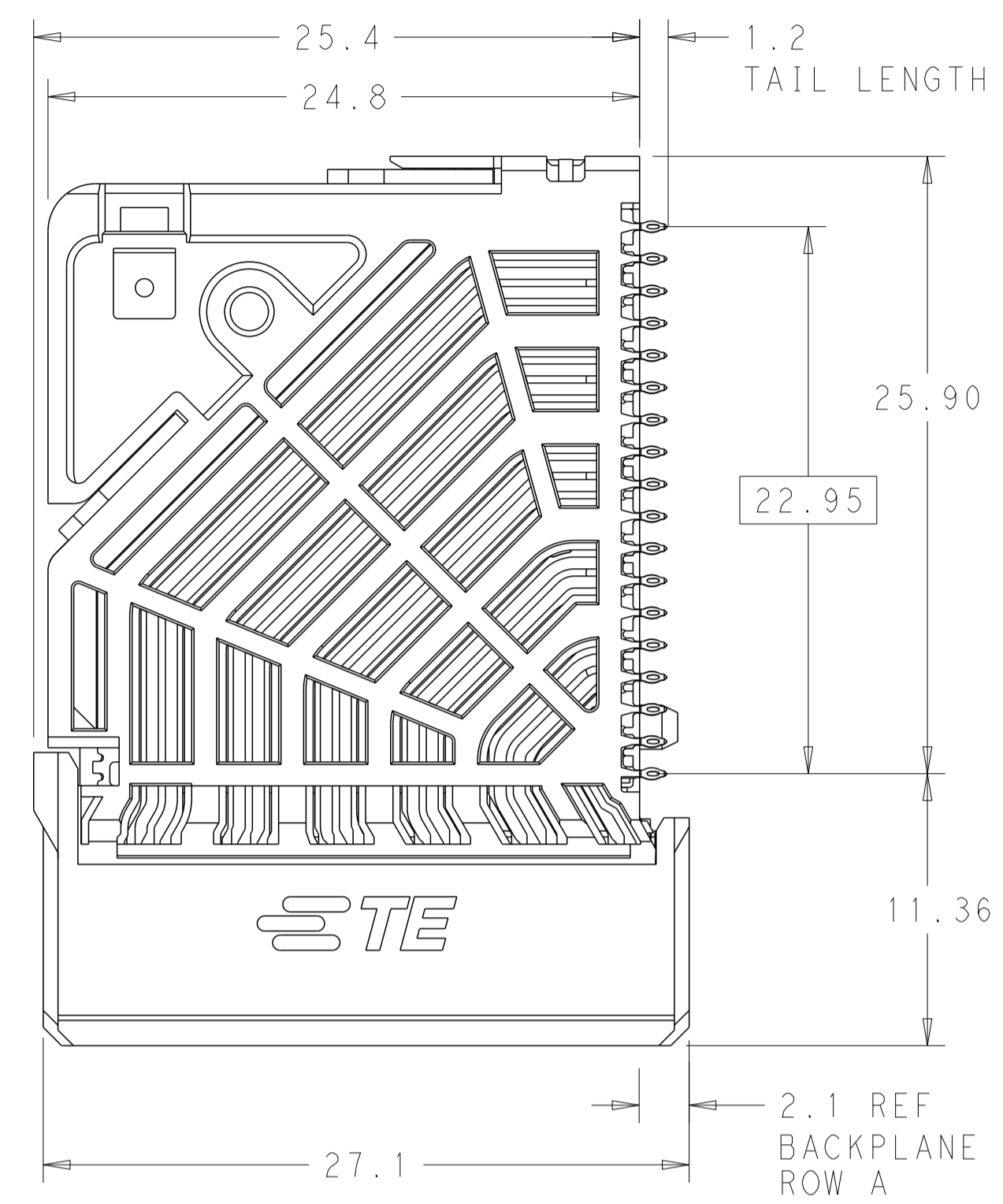
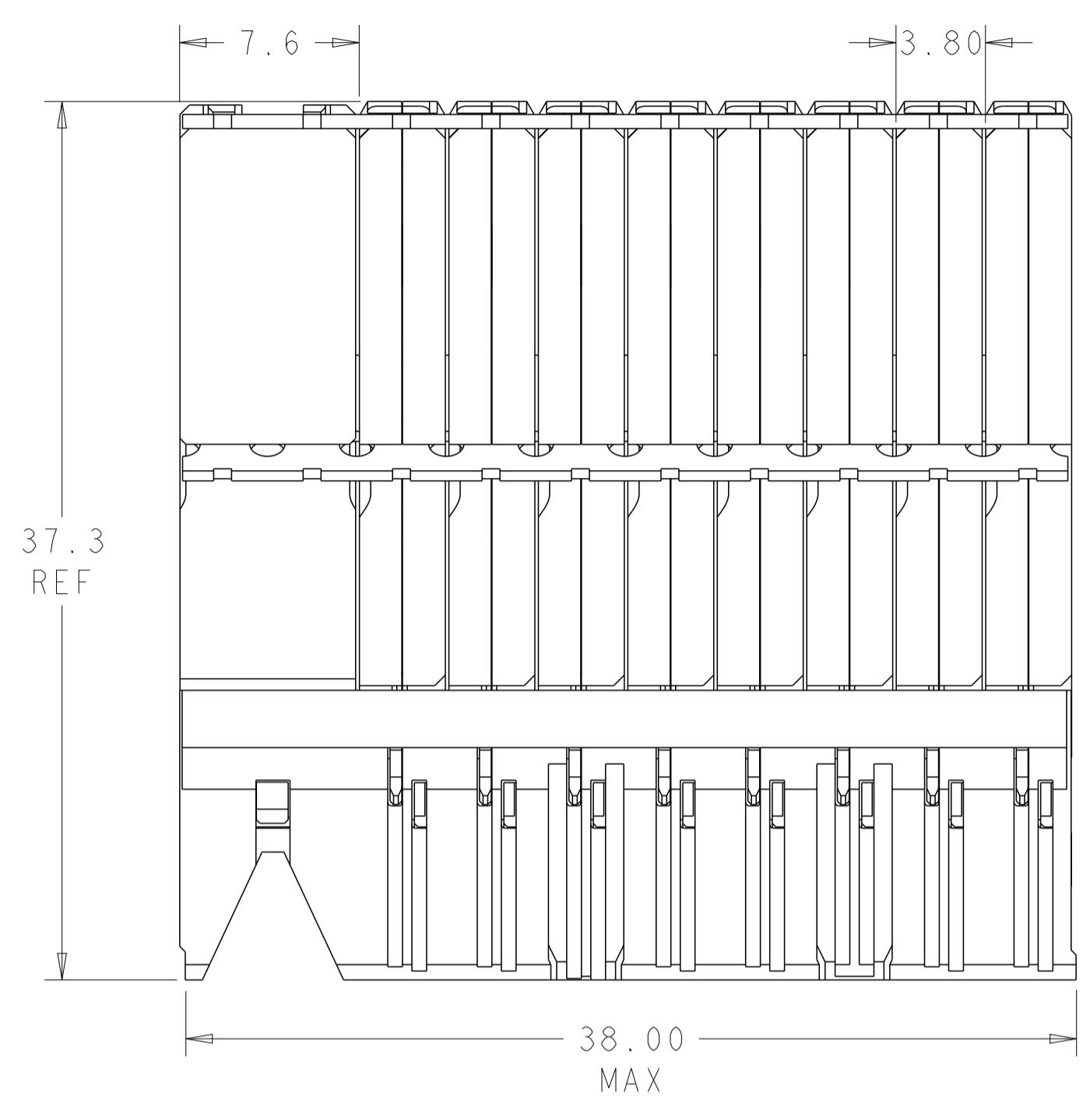
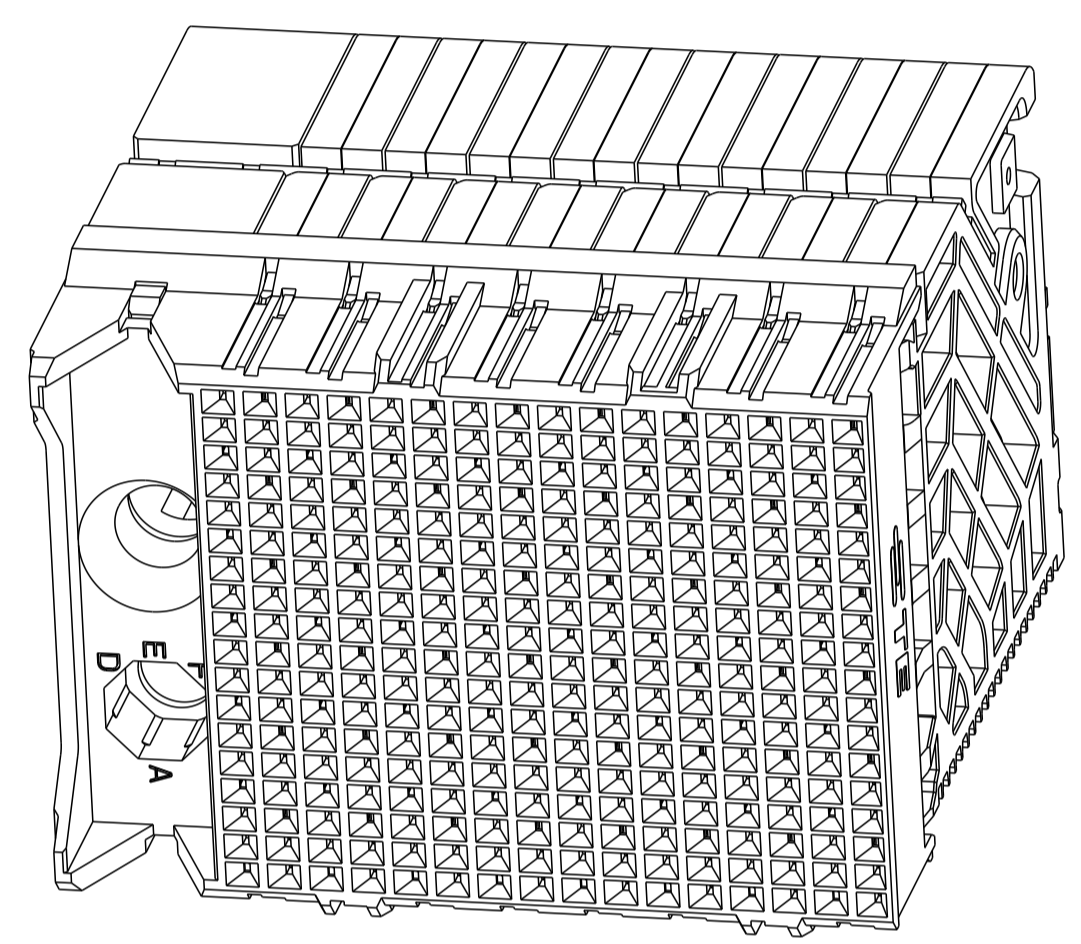


REVISIONS				
P	LTN	DESCRIPTION	DATE	APVD
D		REVISED PER ECO-15-012351	03SEP2015	AP SY

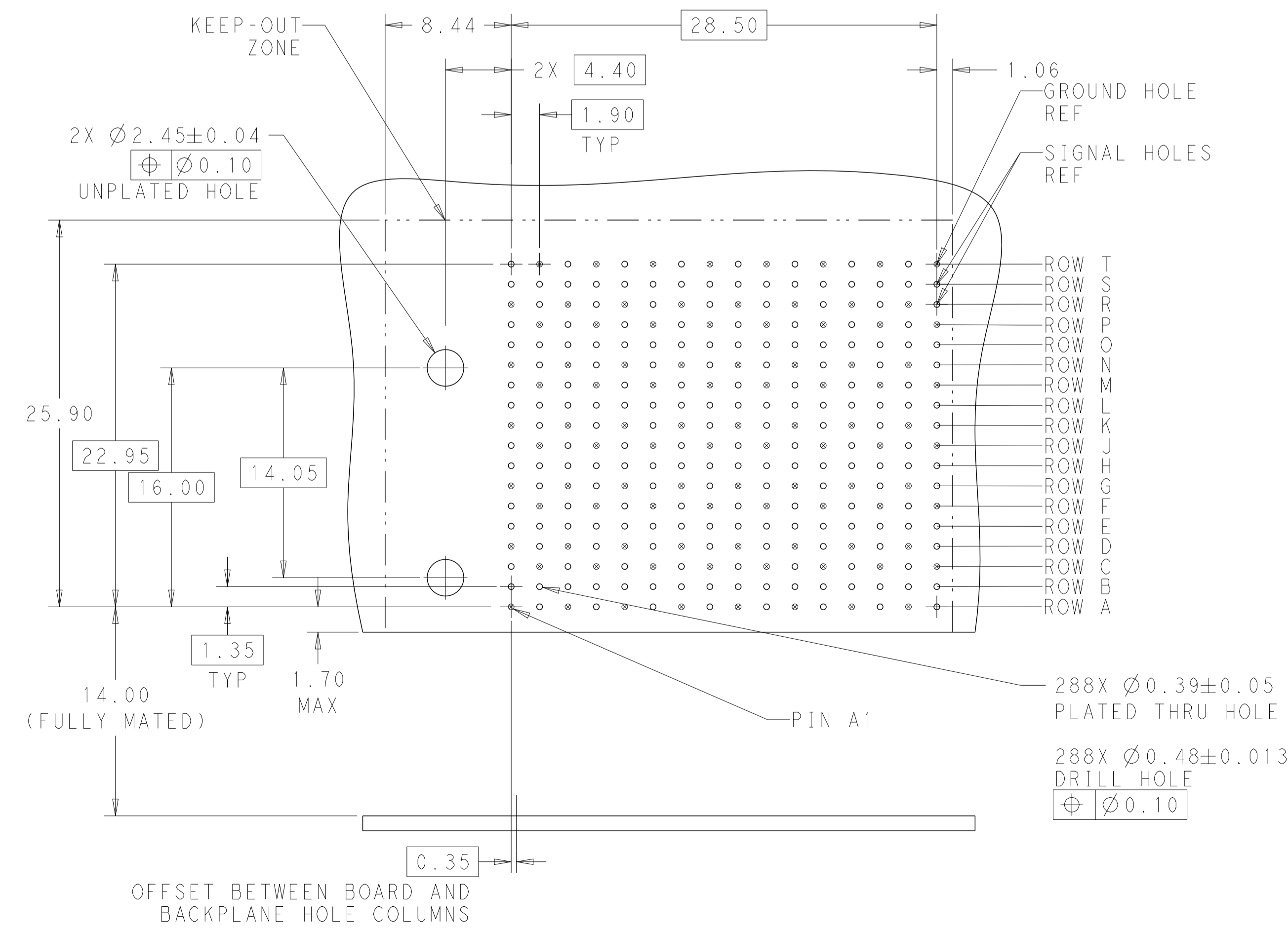
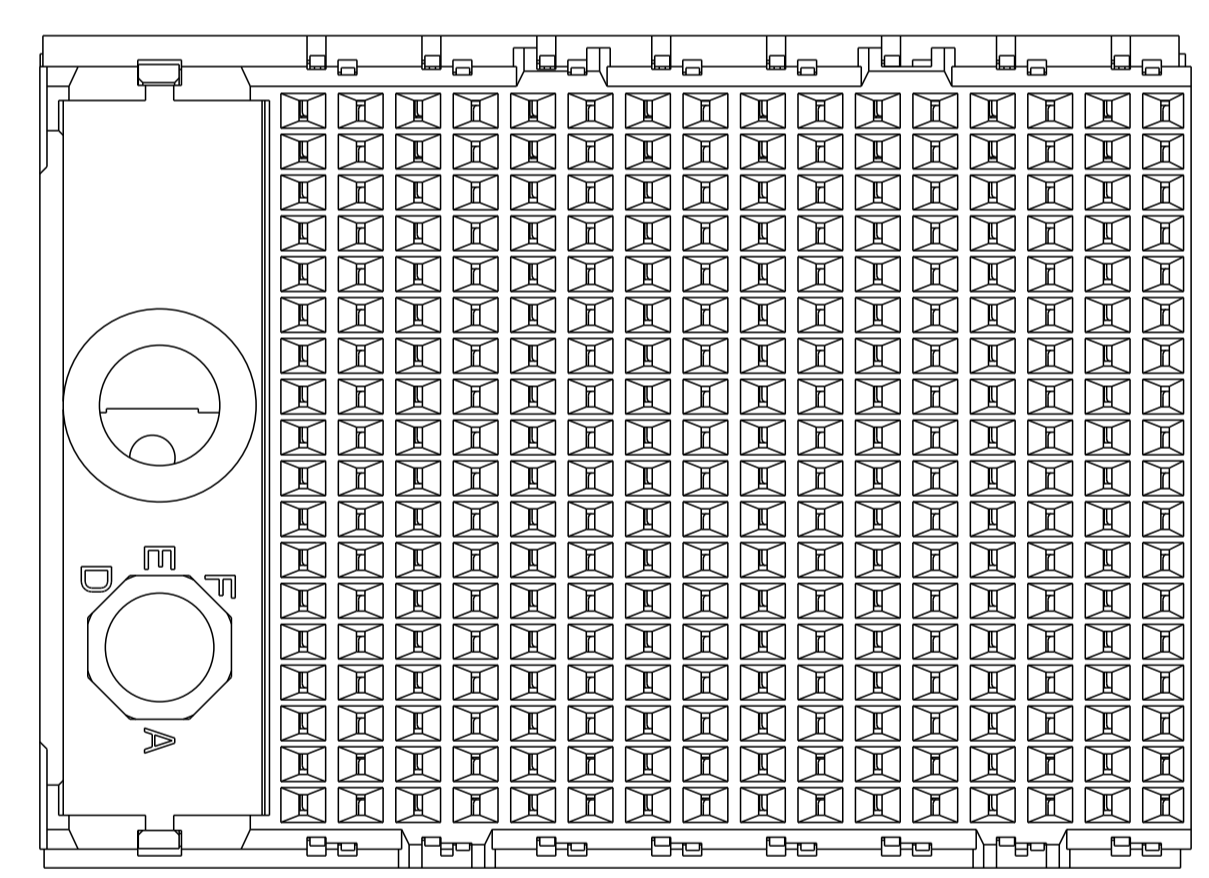


- ⚠ MATERIAL:
HOUSING: LCP, GLASS FILLED, UL94V-0.
TERMINALS: HIGH PERFORMANCE COPPER ALLOY.
- ⚠ FINISH:
30μ" SELECTIVE GOLD IN CONTACT AREA. SELECTIVE TIN ON PCB TAILS, NICKEL OVERALL.
- 3. CONNECTORS SUPPLIED WITH MOUNTING SCREWS.



SCALE 3:1

REFER TO WWW.TE.COM FOR PRODUCT AVAILABILITY



KEY POSITION CHART	
	NONE
	A
	B
	C
	D
	E
	F

KEY POSITION	FINISH	PART NUMBER
H	⚠	8-2007745-1
G	⚠	7-2007745-1
F	⚠	6-2007745-1
E	⚠	5-2007745-1
D	⚠	4-2007745-1
C	⚠	3-2007745-1
B	⚠	2-2007745-1
A	⚠	1-2007745-1
NONE	⚠	2007745-1

THIS DRAWING IS A CONTROLLED DOCUMENT.

OWN: R. COELLO 28MAR2011
 CHK: D. DIXON 28MAR2011
 APVD: D. DIXON 28MAR2011

DIMENSIONS: mm

TOLERANCES UNLESS OTHERWISE SPECIFIED:

0 PLC	±
1 PLC	±0.2
2 PLC	±0.13
3 PLC	±
4 PLC	±
ANGLES	±

MATERIAL: SEE TABLE

TE Connectivity

NAME: IMPACT, 6 PAIR, DAUGHTERCARD 16 COLUMN, LEFT GUIDED, SIGNAL MODULE, 0.39 EYELET

SIZE: A1 00779 C=2007745

Customer Drawing

SCALE: 4:1 SHEET 1 OF 1 REV D