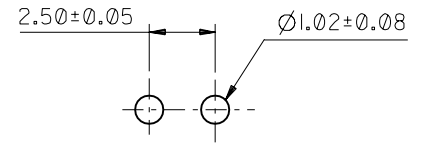
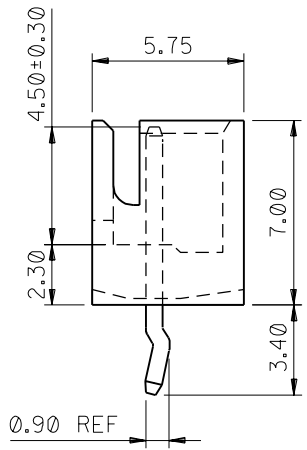
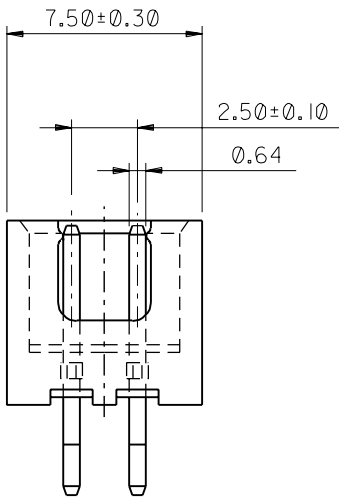
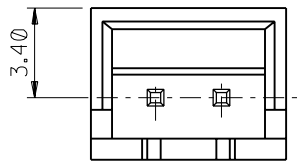


DO NOT SCALE DRAWING  
 CADFILE NO.: S6728001.S01  
 SIMILAR ITEM  
 EDP NO.  
 ENG. NO SD-67280-\*\*\*0



PC BOARD HOLE LAYOUT  
 RECOMMENDED PCB THICKNESS 1.60mm

NOTES

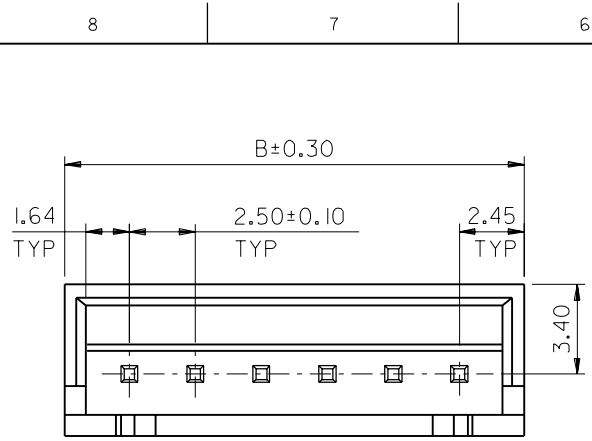
- MATERIAL:  
 WAFER: POLYESTER,UL 94V-0  
 COLOR: NATURAL  
 POST: BRASS,TIN PLATED,THICKNESS=200 MICROINCH MINMUM.
- PRODUCT SPEC.: PS-67261-003

ADD NOTES EC NO. T2002-0156 DRWN: LZHAO 2002/01/03 CHK: LUJING 2002/01/07 APPR: SAMHUANG 2002/01/07	CHANGE MATERIAL EC NO. T2001-0109 DRWN: Titan Huang 02/20/01 CHK: Vincent Lin APPR: Mega Lin	UPDATE TITLE DESCRIPTION EC NO. T2001-0009 DRWN: GRACE LEU 00/08/28 CHK: EMILY HSU APPR: MEGA LIN	R.T.M. EC NO. T2000-0193 DRWN: G.Wang 00/03/13 CHK: WILSON CHANG APPR: MEGA LIN	NEW RELEASE EC NO. T2000-0043 DRWN: EMILY HSU 99/07/17 CHK: WILSON CHANG APPR: MEGA LIN
DI	D	C	B	A

QUALITY SYMBOLS	GENERAL TOLERANCES: (UNLESS SPECIFIED)	
	mm	INCH
MAJOR	4 PLACES ± . - - - ±.	±.
CRITICAL	3 PLACES ± . - - - ±.	±.
	2 PLACES ± 0.20	±.
	1 PLACE ± 0.20	±.
ANGULAR: ±2°		
DRAFT WHERE APPLICABLE MUST REMAIN WITHIN DIMENSIONS		

SCALE NTS	DESIGN UNITS <input checked="" type="checkbox"/> mm <input type="checkbox"/> INCH	THIRD ANGLE PROJECTION <input checked="" type="checkbox"/> mm <input type="checkbox"/> INCH	DIMENSIONS: <input type="checkbox"/> mm <input type="checkbox"/> INCH <input checked="" type="checkbox"/> mm ONLY	SHT	REV
DRAWN BY & DATE EMILY HSU 99/07/17		TITLE: 2.50 MM PITCH WIRE TO BOARD, HEADER ASSEMBLY			
CHECKED BY & DATE WILSON CHANG 99/07/17		APPROVED BY & DATE MEGA LIN 99/07/17			
CAD FILENAME S6728001.S01		MATERIAL NO. SEE CHART	DRAWING NO. SD-67280-001	SHEET NO. 1 OF 2	
THIS DRAWING CONTAINS INFORMATION THAT IS PROPRIETARY TO MOLEX INCORPORATED AND SHOULD NOT BE USED WITHOUT WRITTEN PERMISSION.					
SIZE A3					

DO NOT SCALE DRAWING  
 CADFILE NO. S6728001.S02  
 SIMILAR ITEM  
 EDP NO.  
 ENG. NO. SD-67280-\*\*\*\*0

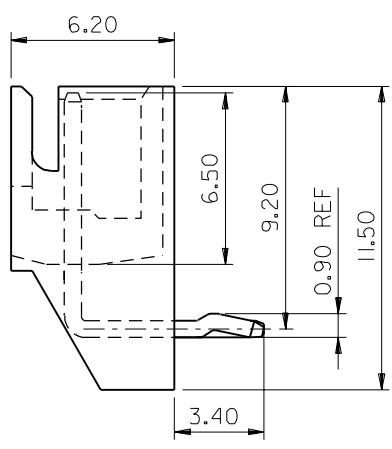
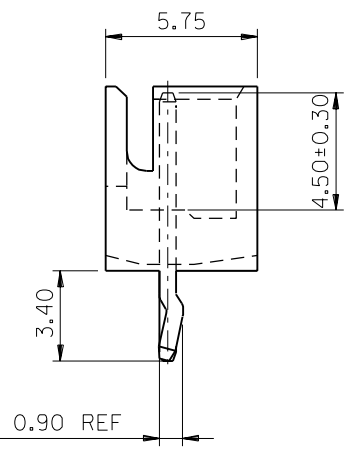
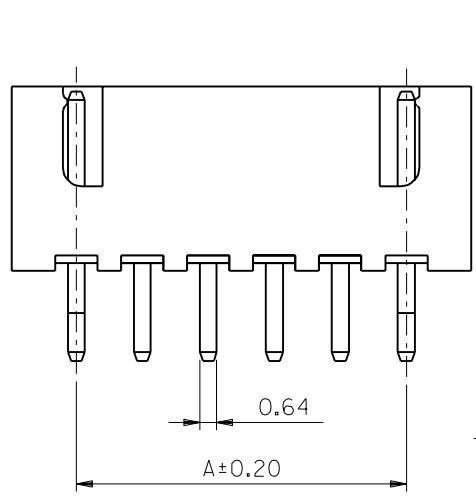


MATERIAL NO.  
 67280-\*\*\*\*0

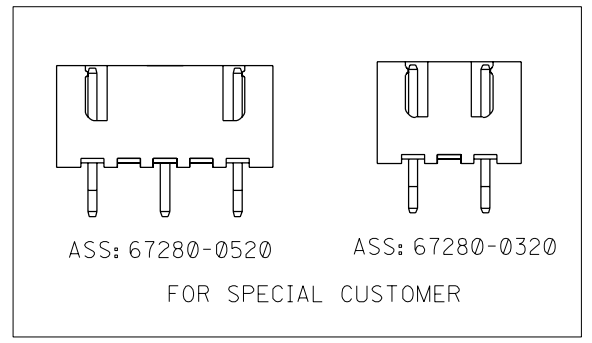
0: VERTICAL  
 1: RIGHT ANGLE  
 2: FOR SPECIAL CUSTOMER

PIN NUMBER:  
 02 ... 15

CIRCUITS	A	B	CIRCUITS	A	B
2	2.5	7.5	9	20.0	25.0
3	5.0	10.0	10	22.5	27.5
4	7.5	12.5	11	25.0	30.0
5	10.0	15.0	12	27.5	32.5
6	12.5	17.5	13	30.0	35.0
7	15.0	20.0	14	32.5	37.5
8	17.5	22.5	15	35.0	40.0



RIGHT ANGLE TYPE



ADD PROFILE	UPDATE TITLE DESCRIPTION	R.T.M.	NEW RELEASE	DESCRIPTION
EC NO. T2002-0156 DRWN: LZHAO 2002/01/03 CHK: LUJING 2002/01/07 APPR: SAMHUANG 2002/01/07	EC NO. T2001-0009 DRWN: GRACE LEU 00/08/28 CHK: EMILY HSU APPR: MEGA LIN	EC NO. T2000-0193 DRWN: G.WANG 00/03/13 CHK: WILSON CHANG APPR: MEGA LIN	EC NO. T2000-0043 DRWN: EMILY HSU 99/09/17 CHK: WILSON CHANG APPR: MEGA LIN	MAJOR CRITICAL
DI	C	B	A	REV

QUALITY SYMBOLS	GENERAL TOLERANCES: (UNLESS SPECIFIED)	SCALE	DESIGN UNITS	DIMENSIONS:	SHT	REV
MAJOR CRITICAL	mm INCH	NTS	mm INCH	mm INCH mm ONLY		
	4 PLACES ± . - - - ±.					
	3 PLACES ± . - - - ±.					
	2 PLACES ±0.20					
	1 PLACE ±0.20					
	ANGULAR: ±2°					
	DRAFT WHERE APPLICABLE MUST REMAIN WITHIN DIMENSIONS					

THIRD ANGLE PROJECTION	TITLE:	CAD FILENAME	MATERIAL NO.	DRAWING NO.	SHEET NO.
THIRD ANGLE PROJECTION	2.50 MM PITCH WIRE TO BOARD, HEADER ASSEMBLY	S6728001.S02	SEE CHART	SD-67280-001	2 OF 2
	MOLEX INCORPORATED				SIZE A3
	THIS DRAWING CONTAINS INFORMATION THAT IS PROPRIETARY TO MOLEX INCORPORATED AND SHOULD NOT BE USED WITHOUT WRITTEN PERMISSION.				